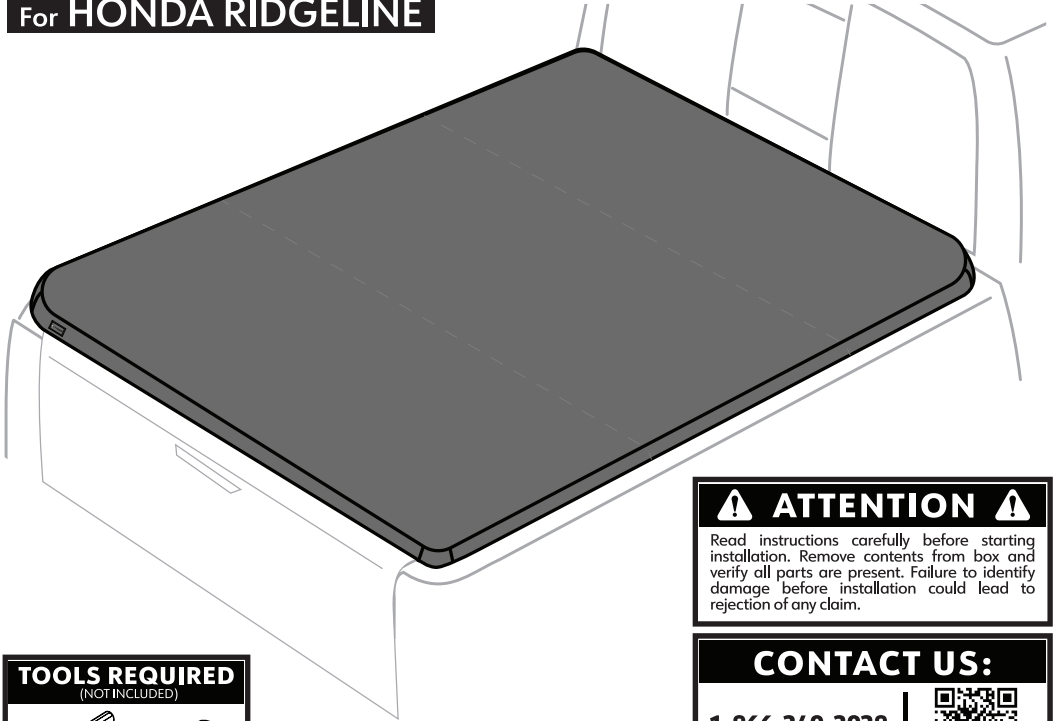




# TYGER<sup>®</sup>

# T3X | SOFT TRI-FOLD COVER IN FABRIC

## For HONDA RIDGELINE



### ⚠ ATTENTION ⚠

Read instructions carefully before starting installation. Remove contents from box and verify all parts are present. Failure to identify damage before installation could lead to rejection of any claim.

### TOOLS REQUIRED (NOT INCLUDED)



Phillips  
Screwdriver



T30 Bit

### CONTACT US:

1-866-340-3038



PHONE

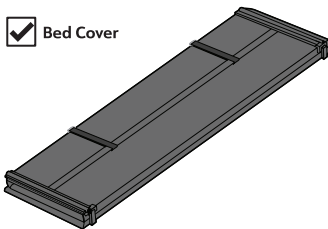


LIVE CHAT

## PARTS LIST

(ONLY MARKED ITEMS ARE INCLUDED)

Bed Cover



**SP-BC3043**  
Driver Side  
Front Bracket



**SP-BC3044**  
Passenger Side  
Front Bracket



**SP-BC3042**  
Driver/Passenger Sides  
Rear Brackets



**SP-BC3041**  
M6 Screw + Washer



**SP-BC0005**  
Seal Strip  
200x 3.0 x 0.6 cm

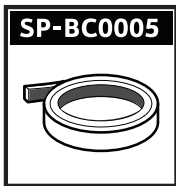


**SP-BC0012**  
Bulkhead Side Seal Strip  
8.0 X 1.0 X 0.6 cm



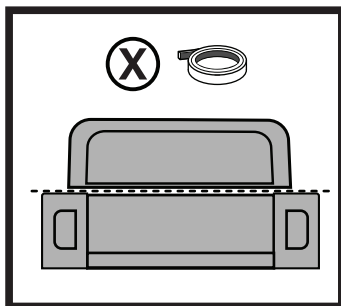
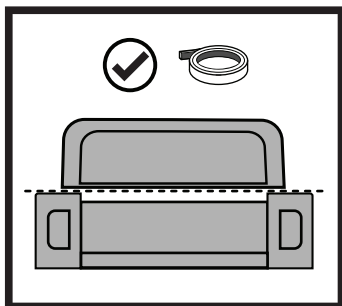
**SP-BC0013**  
Bulkhead Side Seal Foam  
5.0 X 4.5 X 0.6 cm



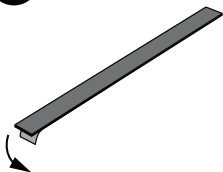


# 1 APPLYING SEAL STRIPS ⓘ

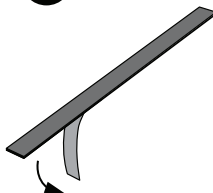
IF THE TRUCK'S FRONT BED RAIL IS LOWER THAN THE SIDES, USE THE PROVIDED WEATHER SEAL STRIPS. GAPS ON THE FRONT BED AND TAILGATE CAN CAUSE NOISE AND FLAPPING ISSUES WHILE DRIVING ALONG WITH WATER LEAKAGE.



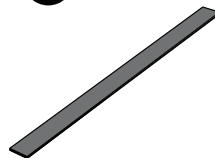
**a**



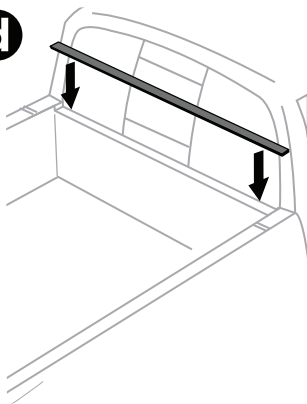
**b**



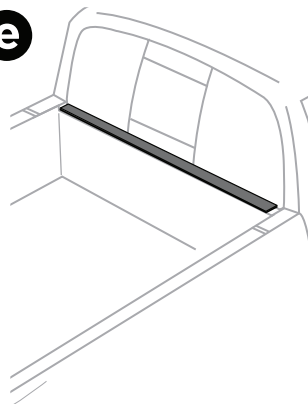
**c**



**d**



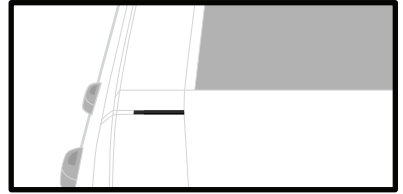
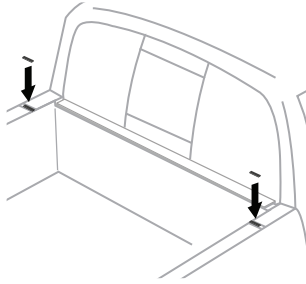
**e**



**SP-BC0012**



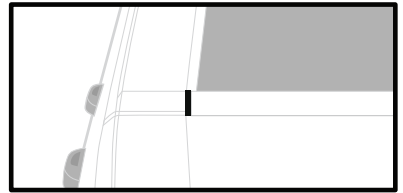
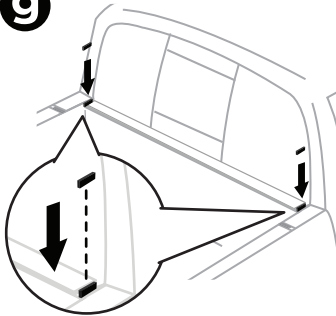
**f**



**SP-BC0013**

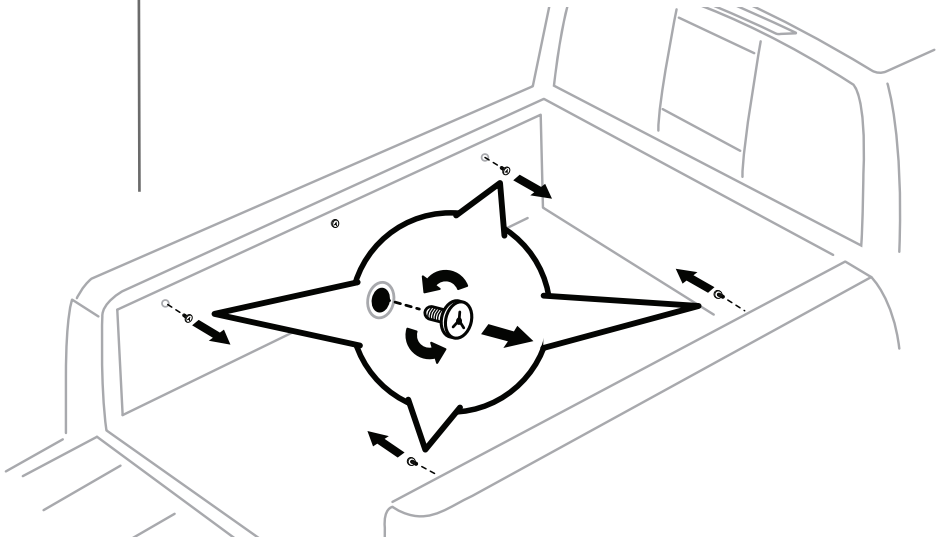


**g**



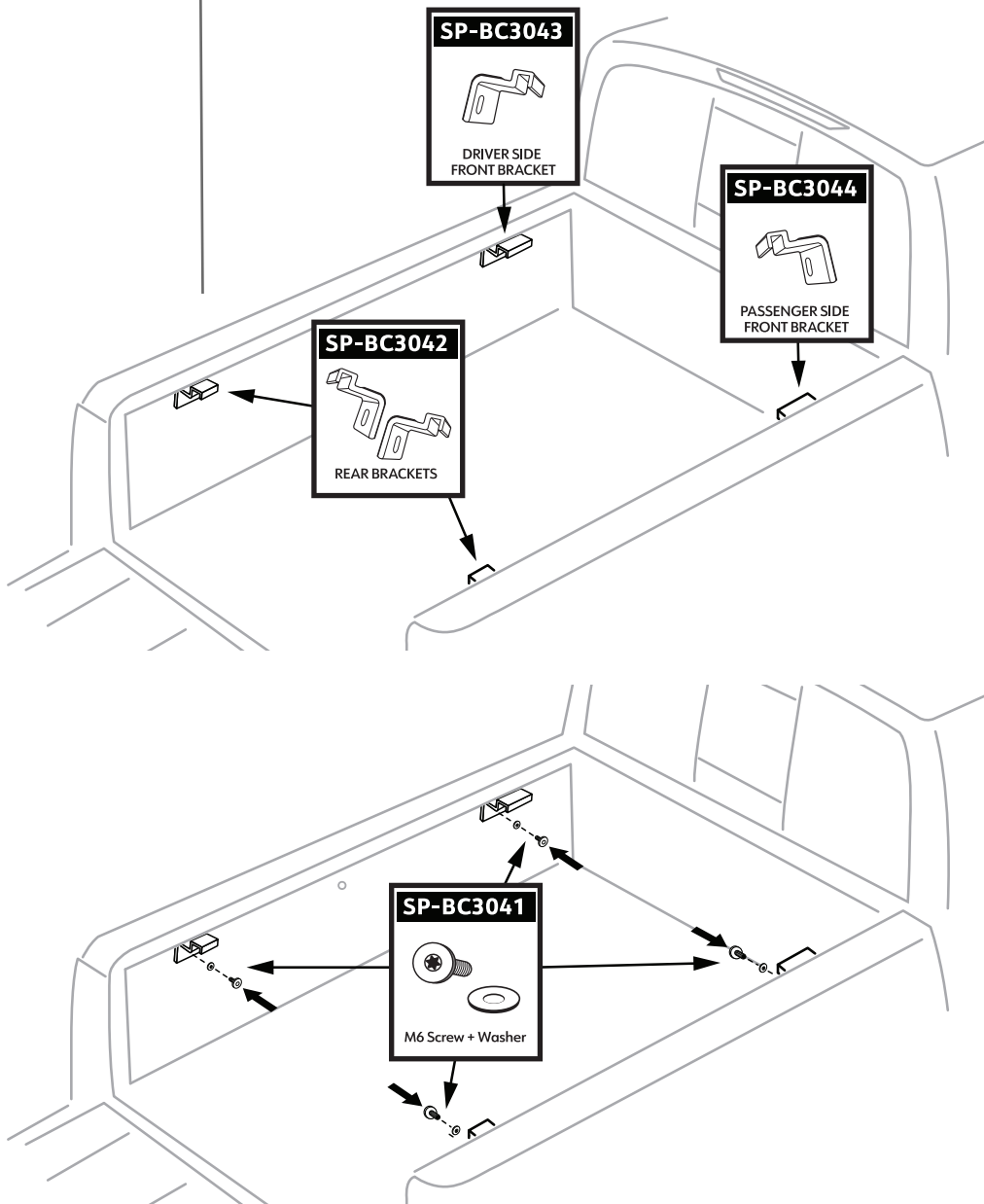
## **2 REMOVE THE FACTORY SCREWS**

- REMOVE 4 FACTORY SCREWS FROM 4 INDICATED LOCATIONS.



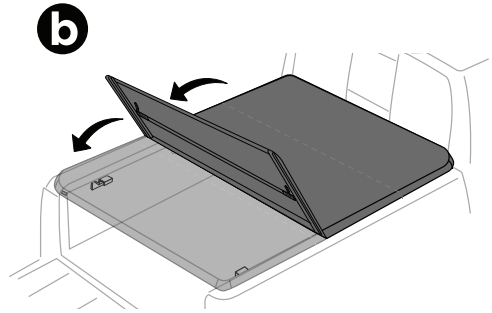
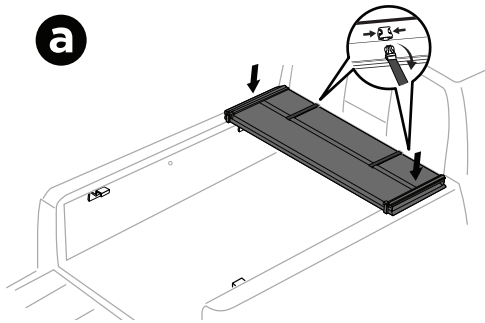
### 3 INSTALL THE BRACKETS

- USE (1) SCREW WITH (1) WASHER EACH TO INSTALL (2) REAR BRACKETS, (1) DRIVER SIDE FRONT BRACKET AND (1) PASSENGER SIDE FRONT BRACKET.



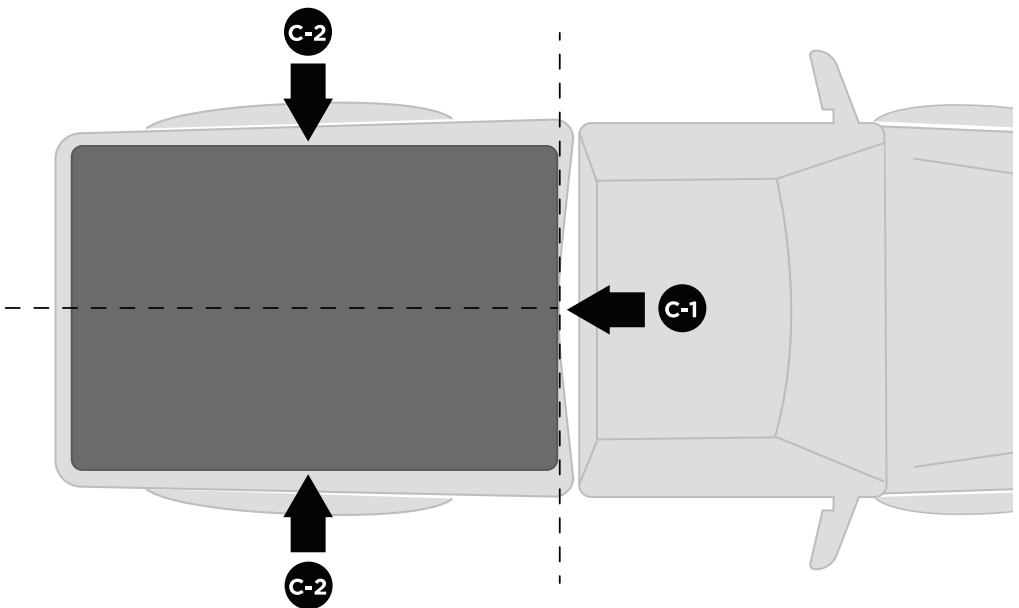
## 4 LAYING OUT THE COVER

- PLACE THE FOLDED COVER ASSEMBLY ON THE BED RAIL AND ALIGN THE FRONT EDGE ALL THE WAY WITH THE OUTER EDGE OF THE BED RAIL.
- RELEASE THE SAFETY BUCKLES AND FULLY UNFOLD THE COVER TOWARDS THE TAILGATE. BOTH SIDES SHOULD ALIGN EVENLY WITH THE SIDE BED RAILS.



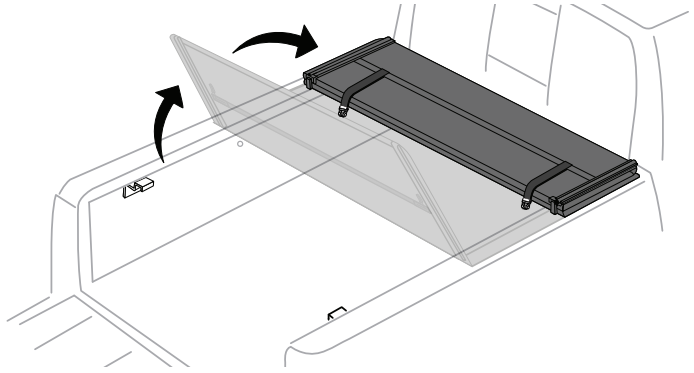
**C**

- C-1** • ALIGN THE FRONT OF THE COVER AGAINST THE OUTER EDGE AT THE MIDPOINT OF THE FRONT BED RAIL.
- C-2** • ALIGN BOTH SIDES OF THE COVER EVENLY ON THE SIDE BED RAILS. THE WIDTH OF THE COVER DOES NOT COVER ALL THE WAY TO THE OUTER EDGES OF THE SIDE RAILS.



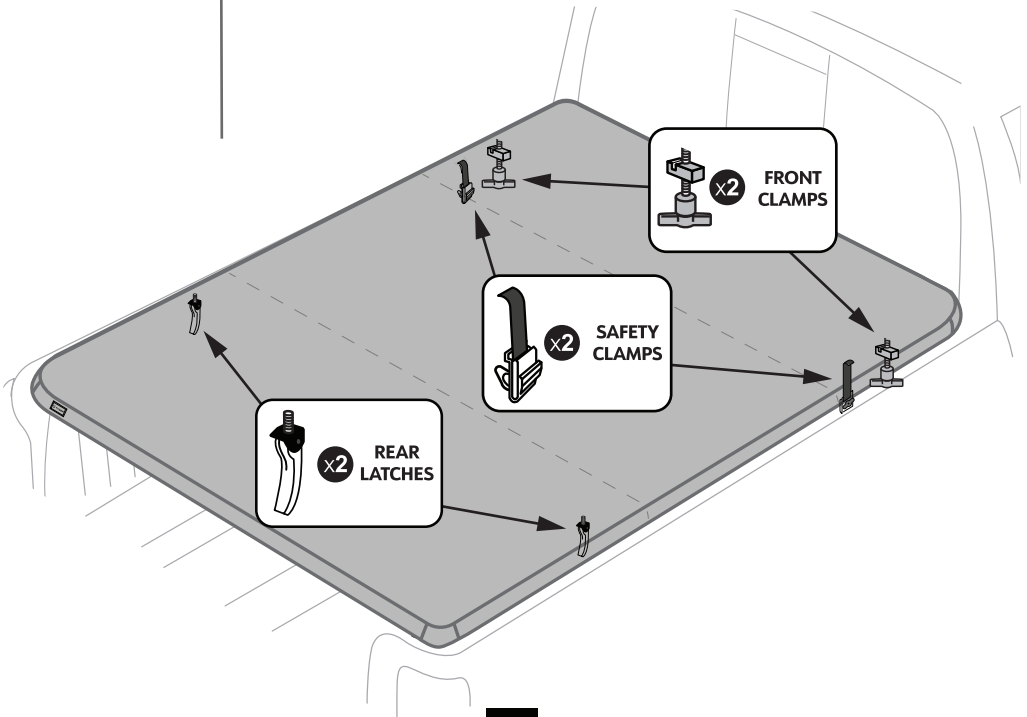
## 5 FOLDING BACK THE COVER

• CAREFULLY REFOOLD THE COVER WITHOUT MOVING ITS POSITION ON THE TRUCK BED.



## 6 CLAMPS & LATCHES OVERVIEW

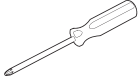
• THE CLAMPS AND LATCHES ARE ALREADY ATTACHED TO THE ASSEMBLED COVER.



## 7 APPLYING FRONT CLAMPS ⓘ

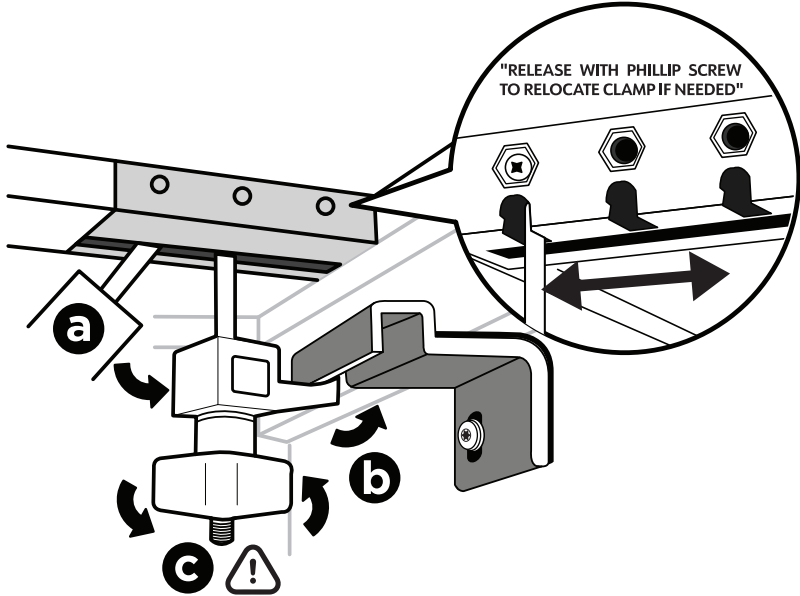
### YOU NEED

Phillips-Head  
Screwdriver



### ATTENTION

DO NOT use wrench  
or overtighten!



**a**

• PULL DOWN  
FRONT CLAMPS  
INTO VERTICAL  
POSITION.

**b**

• HOOK THE JAW OF THE  
CLAMP ONTO THE METAL  
BED RAIL LIP. CLAMP PAD  
CAN BE INSERTED TO  
PROTECT THE PAINT.

**c**

• TURN THE KNOB UNTIL  
SIDE Q-SEAL ON THE  
COVER IS COMPRESSED  
AND THE CLAMP IS  
SNUG.



### NOTE

Safety clamps must  
be secured properly  
to the metal part of  
the bed rail while  
the vehicle is in  
motion, otherwise  
the warranty will be  
voided.

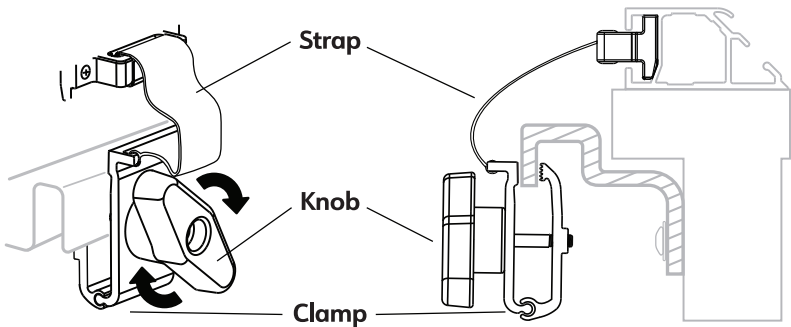


### ATTENTION

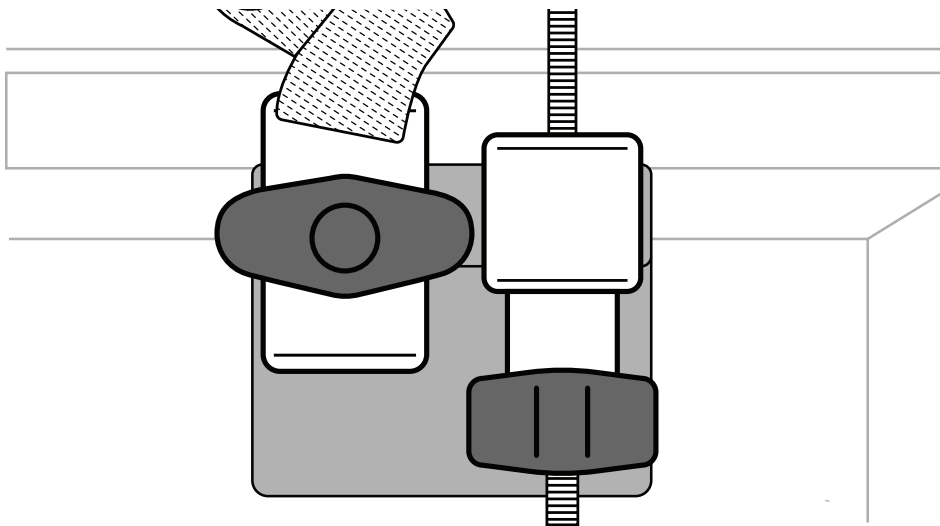
DO NOT use wrench  
or overtighten!

## 8 APPLYING SAFETY CLAMPS ⓘ

• TURN THE KNOB COUNTERCLOCKWISE TO LOOSEN THE SAFETY CLAMP WITH THE STRAP, ATTACH CLAMP TO THE SAME FRONT BRACKET.



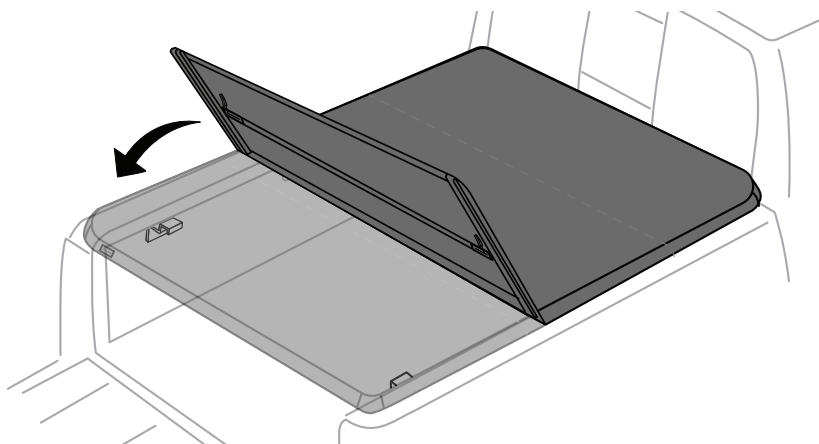
# COMPLETE!!!



(DRIVER/LEFT SIDE INSTALLATION PICTURED BELOW)

## 9 UNFOLD THE TONNEAU COVER

- UNFOLD THE COVER COMPLETELY TOWARDS THE TAILGATE.



# 10 FASTENING REAR LATCHES

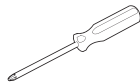


## NOTE

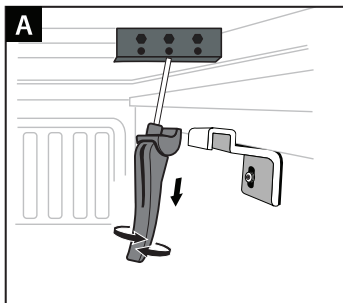
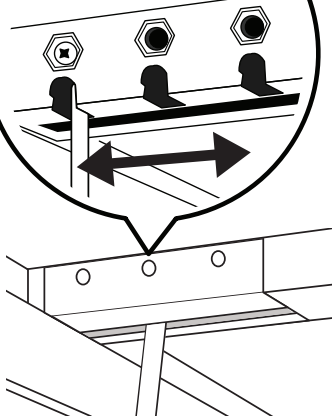
All latches & clamps must make solid contact with the metal bed rail lip for the cover to be secured.

## YOU NEED

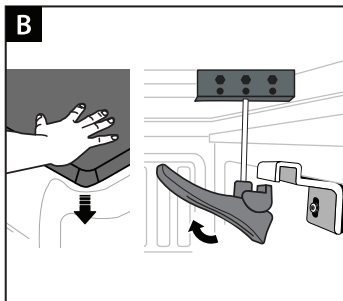
Phillips-Head  
Screwdriver



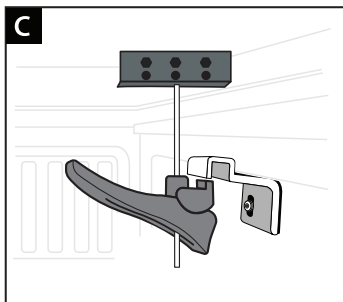
"RELEASE WITH PHILLIP SCREW  
TO RELOCATE LATCH IF NEEDED"



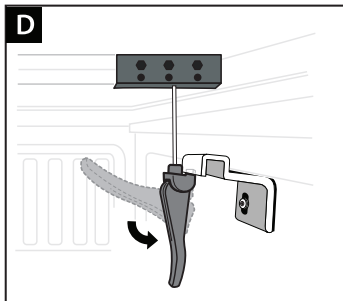
**A:** START BY PULLING DOWN LATCH HANDLE FROM THE BACK OF COVER. THEN UNSCREW THE HANDLE TO LOWER ITS POSITION.



**B:** WITH ONE HAND, LIFT AND KEEP THE LATCH HANDLE POINTING UP AS MUCH AS POSSIBLE (BEYOND 90°). THEN, WITH THE OTHER HAND FIRMLY PRESSED DOWN ONTO THE COVER CORNER. CONTINUE TO ROTATE HANDLE TO ADJUST THE POSITION.



**C:** FOR THE TIGHTEST FIT, OPENING OF LATCH JAW SHOULD BE LEVEL WITH THE SIDE RAIL LIP WITHOUT LIMITING ACCESS TO THE JAW.



**D:** LATCH THE JAW GROOVE FULLY INTO THE RAIL LIP, THEN CRANK HANDLE DOWN TO TIGHTEN. GO BACK AND READJUST JAW POSITION FROM STEP B IF THE LATCH DOES NOT FEEL VERY TIGHT.

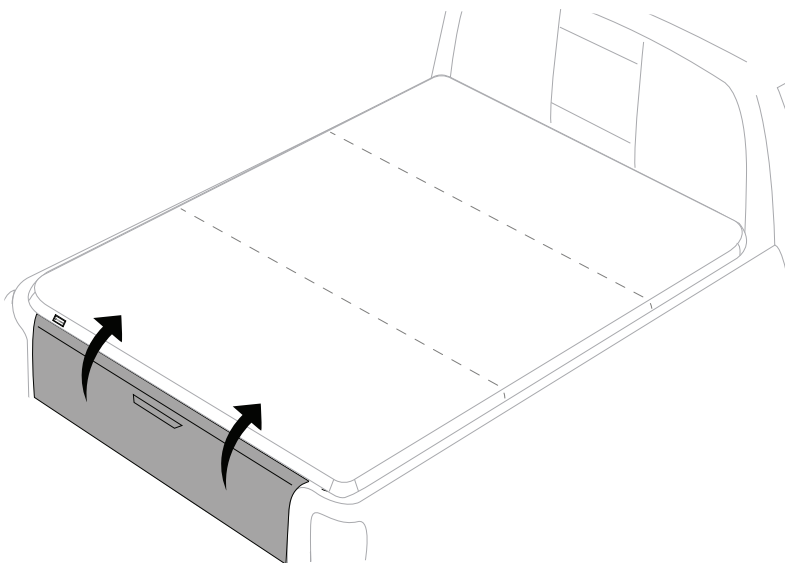
## 11 FINISHING INSTALLATION ⓘ

- AFTER REAR LATCHES ARE SECURELY FASTENED, SHUT & LOCK THE TAILGATE SO THE COVER CANNOT BE OPENED FROM THE OUTSIDE.



### NOTE

Cover may not completely cover to the outside edge of the bed rails due to slight difference in truck bed shape for different year models

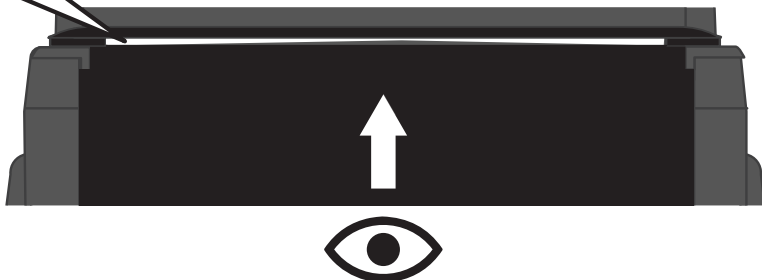


## 12 CHECKING FOR GAPS ⓘ

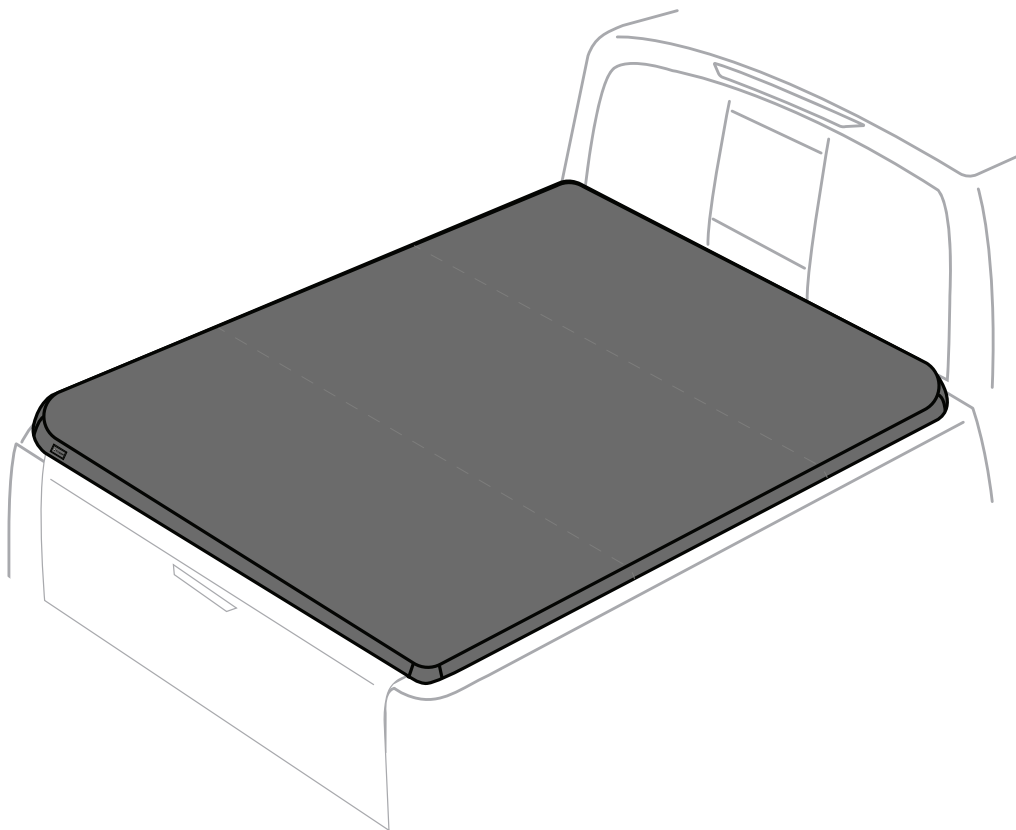
- WITH THE TAILGATE OPEN, VISUALLY INSPECT FOR LIGHT LEAKING THROUGH THE GAPS. APPLY ADDITIONAL SEALING STRIPS TO FILL THE GAPS THEN REINSPECT AND REPEAT.



SP-BC0005



# ***INSTALLATION COMPLETE!!!***



**DO NOT**  
overload cargo



**DO NOT** place  
sharp objects on top



Remove snow before  
folding up cover



Secure strap buckles  
before driving



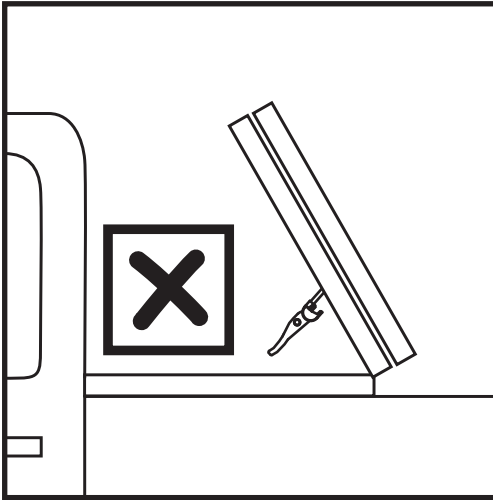
Use seal strips for  
Exposed gaps to  
Avoid leaking



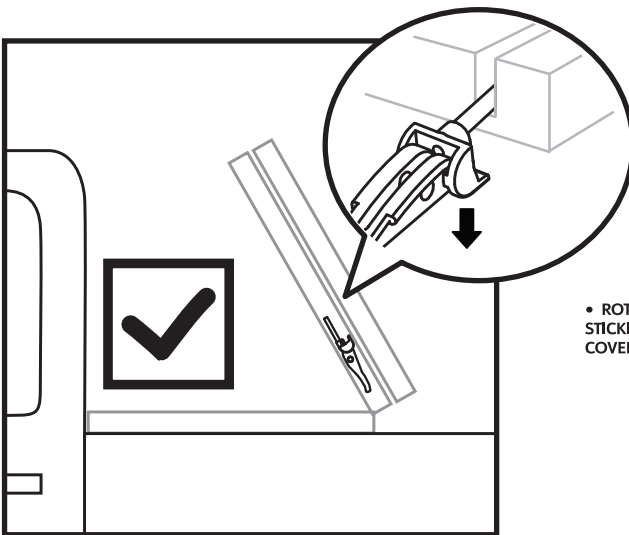
Use water and  
soap to clean.  
Avoid abrasive  
chemical cleaners

# AFTER INSTALLATION

## 13 FOLDING UP THE COVER



- REAR LATCHES MUST BE TUCKED IN BEFORE YOU FOLD BACK THE COVER.



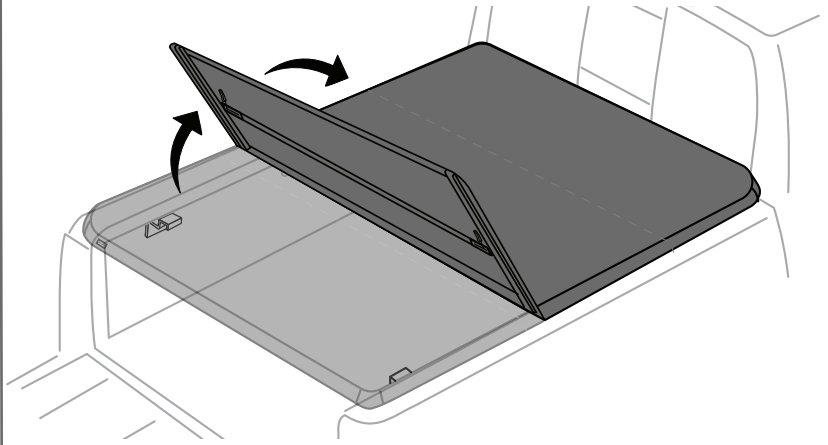
- ROTATE THE LATCH SO THE JAW IS NOT STICKING OUT FROM THE UNDER-SIDE OF THE COVER.



**NOTE**

DO NOT release the front clamps and safety clamps when you unfold the cover, and make sure they are all secured!

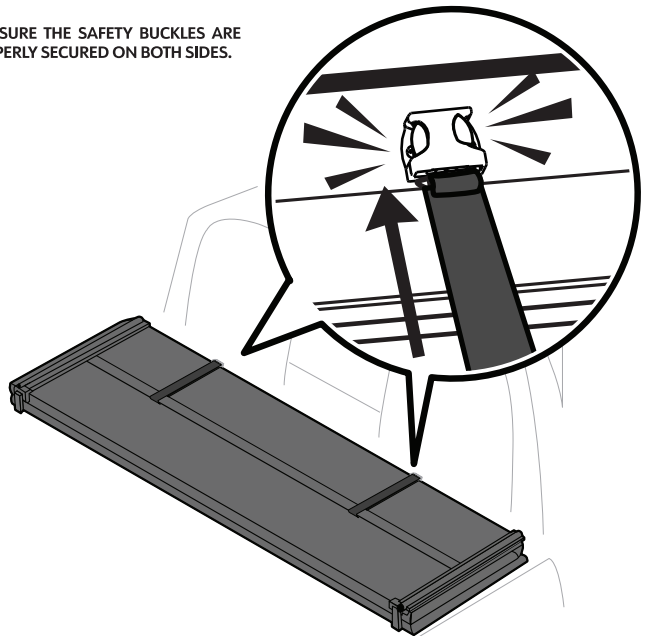
**a**



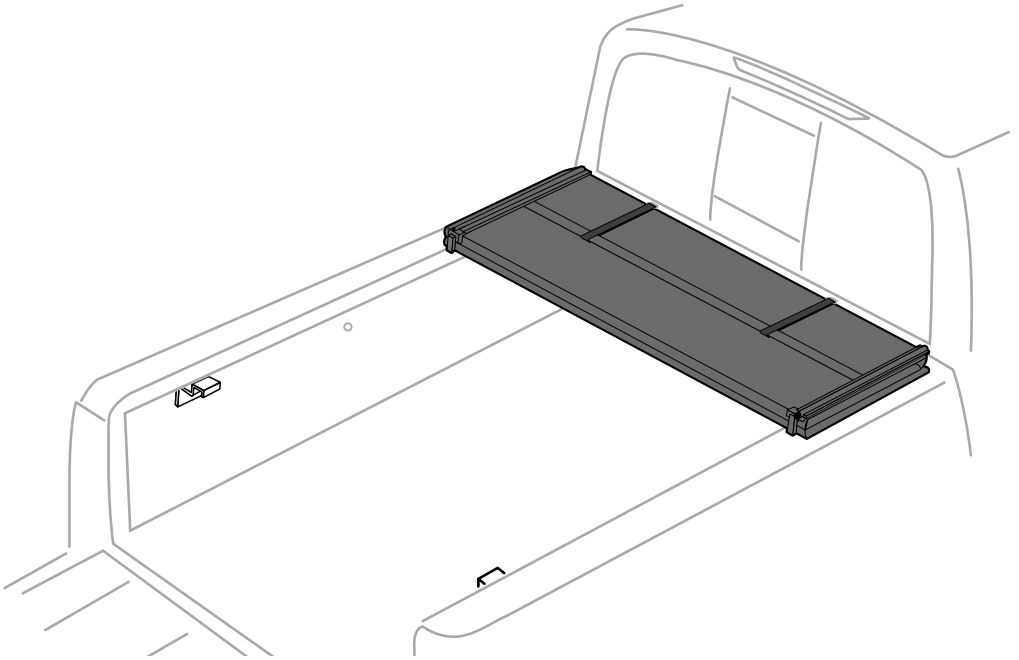
**CLICK!!!**

**b**

• ENSURE THE SAFETY BUCKLES ARE PROPERLY SECURED ON BOTH SIDES.



# ***SECURED!!!***



# 14 TONNEAU COVER CARE & MAINTENANCE

## ❄️ COLD WEATHER USE – IMPORTANT

- DO NOT operate the vehicle with snow or ice buildup on the cover
- Gently remove any snow buildup from the cover before operation
- If the cover is frozen or stuck, DO NOT force it to fold or unfold
- If frozen, allow the cover to thaw naturally. DO NOT use hot water, chemicals, or de-icing agents
- DO NOT use sharp or hard objects to remove ice or snow, as this may damage the cover

## ⚠️ CLEANING TIPS

Follow these cleaning guidelines to help prevent damage to the fabric and seams, protect the waterproof barrier, and minimize fading:

- DO NOT use pressure washers or hot water
- Tonneau cover must be removed before using an automated car wash
- Rinse with a standard garden hose using a shower, fan, or mist setting
- Avoid using jet or power stream modes at close range (<1 ft)
- For dirt or stains, use a soft sponge or cloth with mild soap and luke warm water (max 30°C / 86°F)
- Avoid scrubbing, bleach, or harsh chemicals
- Rinse thoroughly and air dry completely before closing or storing
- Avoid prolonged soaking to water and detergent



Gentle  
Hand Wash



No  
Harsh Chemicals



DO NOT  
Pressure Wash



DO NOT  
Iron



NO Automated  
Car wash



Air Dry

