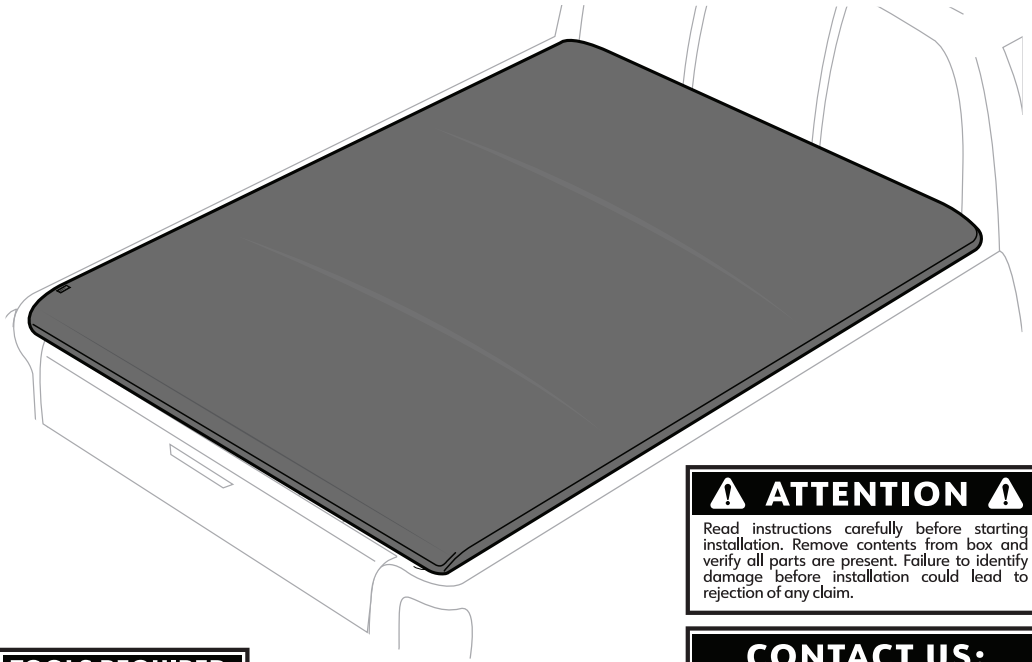




TYGER®

T1X | SOFT ROLL-UP COVER IN FABRIC



⚠ ATTENTION ⚠

Read instructions carefully before starting installation. Remove contents from box and verify all parts are present. Failure to identify damage before installation could lead to rejection of any claim.

TOOLS REQUIRED
(NOT INCLUDED)

10mm Socket Ratchet Wrench Phillips Screwdriver

CONTACT US:

1-866-340-3038

PHONE

LIVE CHAT

PARTS LIST (ONLY MARKED ITEMS ARE INCLUDED)

<input checked="" type="checkbox"/> Bed Cover	<input type="checkbox"/> SP-BC1002B		<input type="checkbox"/> SP-BC1004		<input type="checkbox"/> SP-BC0003	Front Seal Strip 170 x 2.5 x 1 cm
	<input type="checkbox"/> SP-BC1021		<input type="checkbox"/> SP-BC1005B		<input type="checkbox"/> SP-BC0004	Front Seal Strip 170 x 3.5 x 0.4 cm
<input checked="" type="checkbox"/> Side Rails (L & R)	<input type="checkbox"/> SP-BC1003		<input type="checkbox"/> SP-BC1006B		<input type="checkbox"/> SP-BC0007	Front Seal Strip 150 x 3 x 1.6 cm

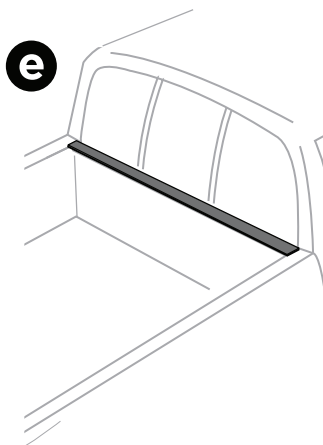
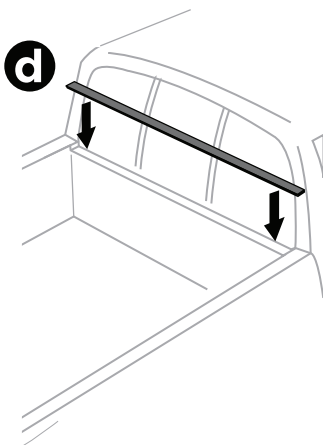
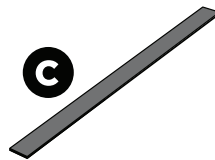
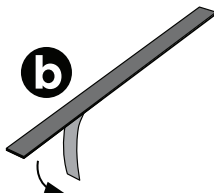
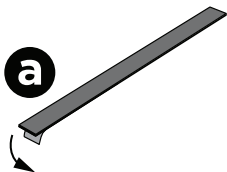
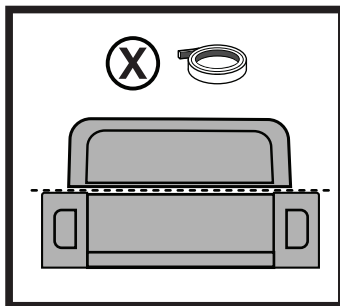
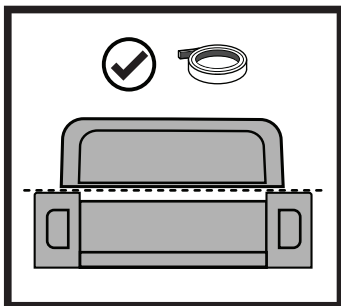
1 APPLYING SEAL STRIP ⓘ

IF THE TRUCK'S FRONT BED RAIL IS LOWER THAN THE SIDES, USE THE PROVIDED WEATHER SEAL STRIPS. GAPS ON THE FRONT BED AND TAILGATE CAN CAUSE NOISE AND FLAPPING ISSUES WHILE DRIVING ALONG WITH WATER LEAKAGE.

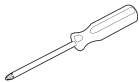


SEAL STRIP

Only needed for certain models



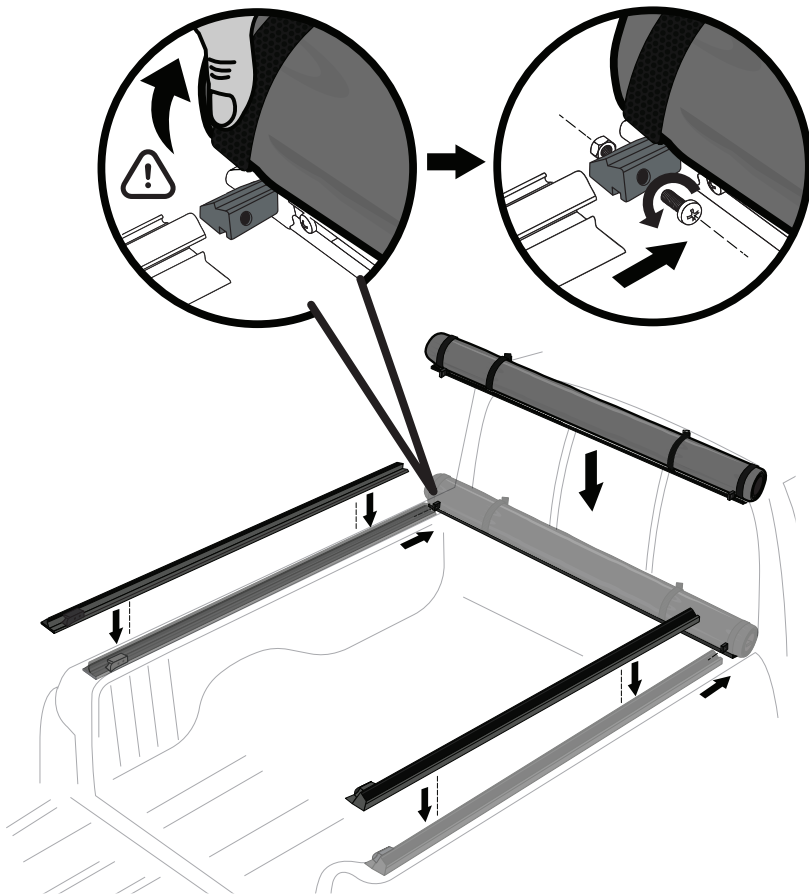

YOU NEED

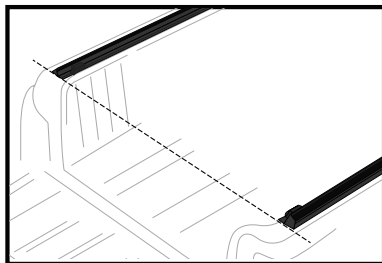
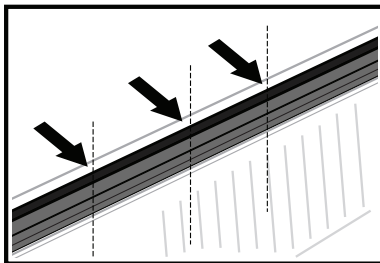
 Phillips-Head
Screwdriver

ATTENTION

 Lift tarp while inserting
side rail to prevent
tearing!

2 ASSEMBLING COVER ⓘ

- PLACE COVER ASSEMBLY ON FRONT TRUCK BED RAIL AGAINST THE CAB.
- LOOSEN THE SCREW IN BULKHEAD ASSEMBLY ON BOTH SIDES, THEN SLIDE IN THE SIDE RAILS.
- REINSTALL AND TIGHTEN SCREWS TO ATTACH SIDE RAILS TO COVER ASSEMBLY.


NOTE

 Make sure the side rail
lines up with the inner
edge of the truck bed
rail. Place the side rail
evenly so that the
distance between the
rear end of the side rail
to the tailgate is the
same on both sides.


3 INSTALLING SIDE RAILS & CLAMPS ⓘ

- THE NUMBER OF CLAMPS EQUIPPED ON THIS BED COVER IS SPECIFIC TO THE MODEL AND BED SIZE. CONFIRM THE NUMBER (4/6/8) OF CLAMPS INSIDE THE HARDWARE PACKAGE.
- THEN EVENLY PLACE THE SUPPLIED CLAMPS ALONG THE SIDE RAILS ACCORDING TO THE POSITIONAL CONFIGURATION A/B/C BASED ON THE NUMBERS OF CLAMPS.
- ATTACH THE CLAMPS TO THE SIDE RAIL AND THE TRUCK BED RAILS. DO NOT TIGHTEN CLAMPS UNTIL COVER IS PROPERLY FITTED.

NOTE: FOR TOYOTA AND NISSAN MODELS WITH FACTORY UTILITY TRACKS, REFER TO PAGE 11 FOR SPECIAL INSTRUCTION ON UTILITY TRACK BRACKET INSTALLATION.

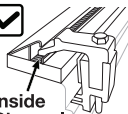


NOTE

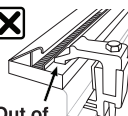


DO NOT
over-tighten
the clamps

ATTENTION



Inside
Channel



Out of
Channel

a

Rear

≤ 5.2' BED

Front

2 x 2 = 4 CLAMPS

b

Rear

5.5' - 6.75' BED

Front

2 x 3 = 6 CLAMPS

c

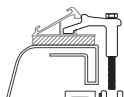
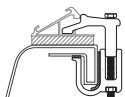
Rear

8' BED

Front

2 x 4 = 8 CLAMPS

ATTENTION!

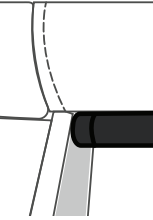


Clamps **MUST** BE attached securely to the **metal part** of the truck bed rail lips; small holes might need to be cut on the bed liner.

For Nissan Frontier Model Years **2022 and up**, install clamps directly to bed rail.

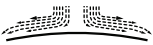


ATTENTION



Incorrect positioning of the crossbars can cause water to pool on the cover.

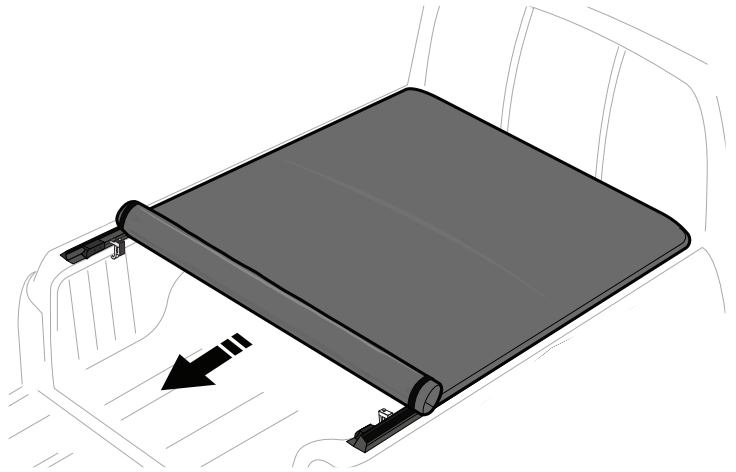
ATTENTION



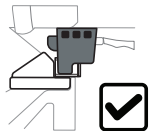
Horizontal crossbars are arched by design to help drain and prevent water pooling. Make sure the arched side is facing up during installation.

4 ROLLING OUT THE COVER ⓘ

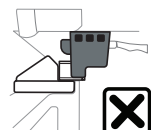
- UNHOOK THE SAFETY STRAPS.
- MAKE SURE THE ENDS OF THE CROSSBARS ARE RESTING ON THE SIDE RAIL LEDGES AND CROSSBARS ARE ARCHED UPWARD.



WARNING!



In Channel



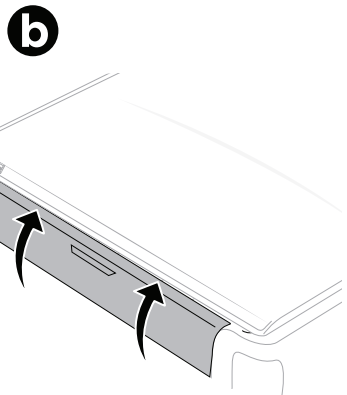
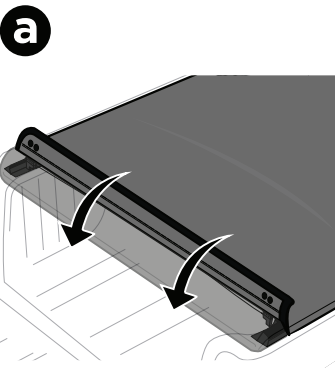
NOT In Channel

NOTE

For latching issue, refer to PAGE 13 for trouble shooting instruction.

5 LOCKING THE COVER ⓘ

- PUSH DOWN THE END OF THE COVER WITH SUFFICIENT FORCE TO CLOSE IT.
- THE COVER MUST BE CLOSED FIRST BEFORE YOU SHUT THE TAILGATE.



CLICK!!!



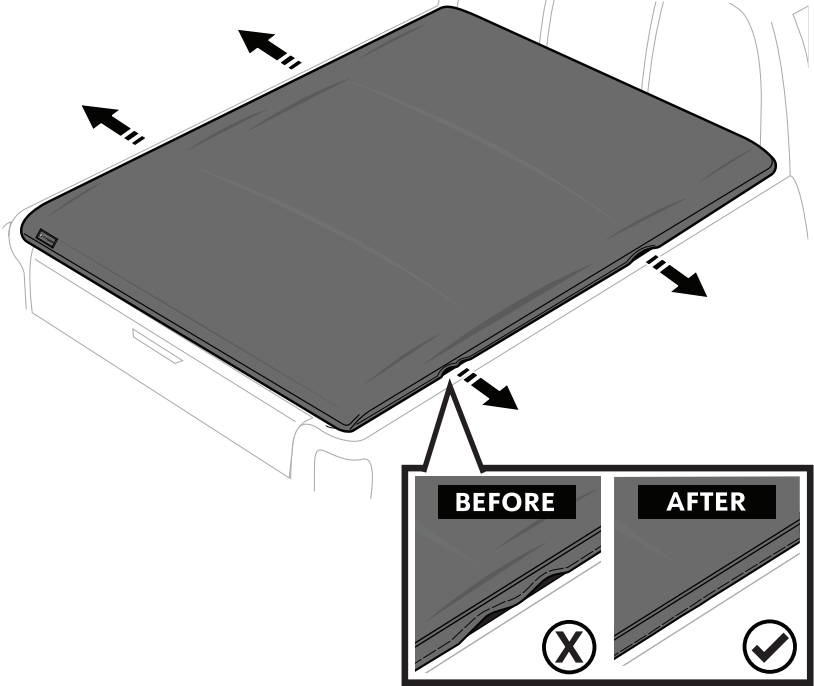
NOTE



Velcro Strips must be fully fastened to prevent water from leaking in.

6 STRAIGHTENING OUT THE COVER

- STRETCH OUT THE COVER TARP ON BOTH SIDES TO REMOVE ANY WRINKLES AND MAKE SURE BOTH VELCRO STRIPS ARE PROPERLY FASTENED AND SEALED TO PREVENT WATER LEAK.

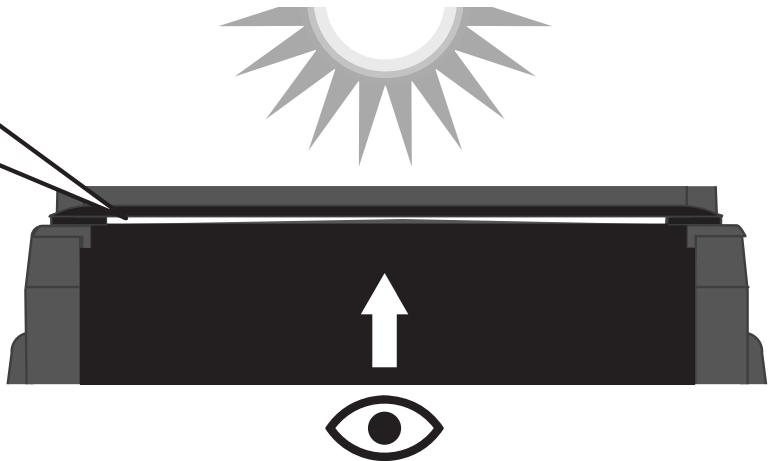


SEAL STRIP

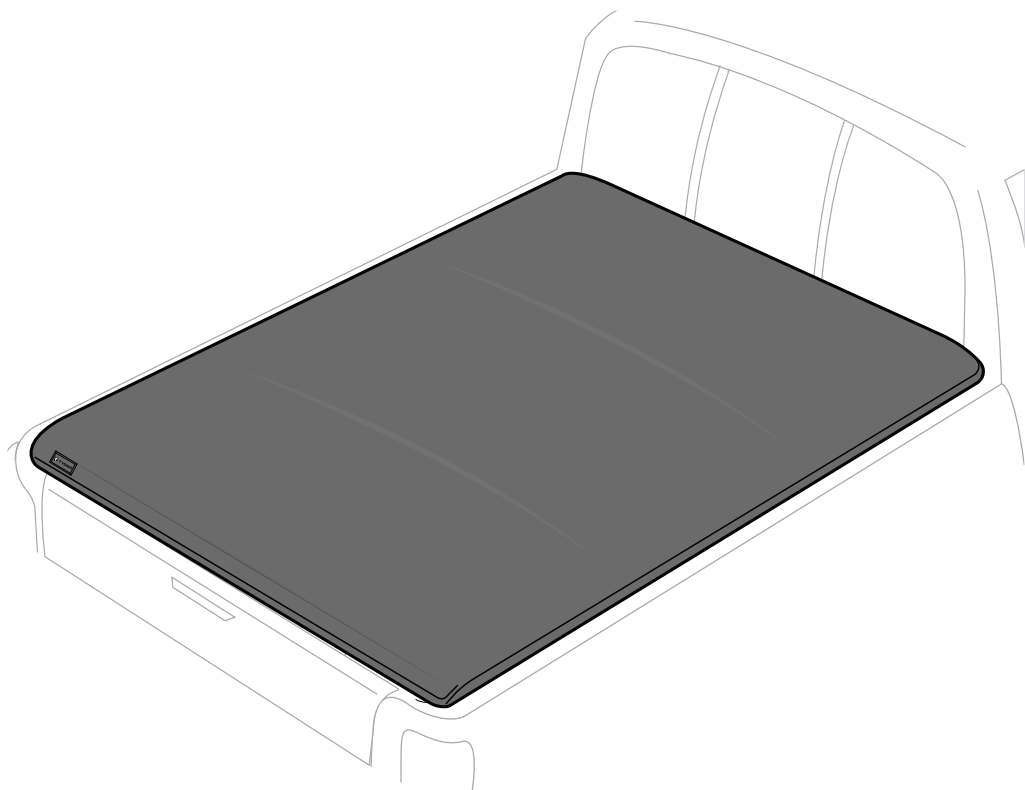


7 CHECKING FOR GAPS

- WITH THE TAILGATE OPEN, VISUALLY INSPECT FOR LIGHT LEAKING THROUGH THE GAPS. APPLY ADDITIONAL SEALING STRIPS TO FILL THE GAPS THEN REINSPECT AND REPEAT.



INSTALLATION COMPLETE!!!



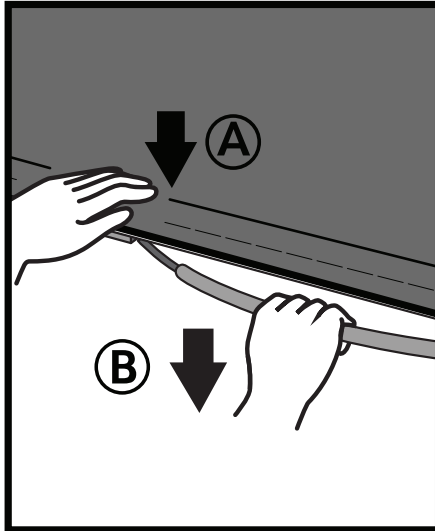
AFTER INSTALLATION

8 RELEASING THE COVER ⓘ



NOTE

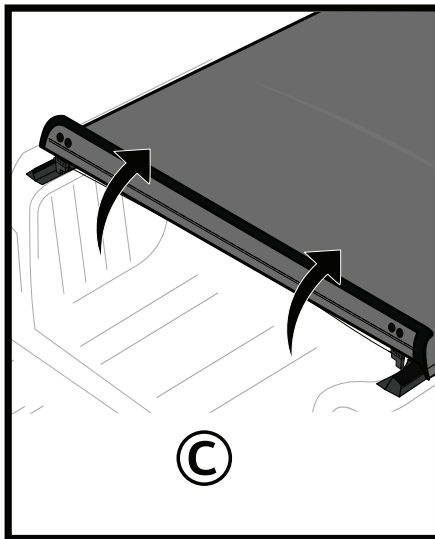
Pressing down on the cover edge will improve the release.



- OPEN THE TAILGATE AND PUSH DOWN AGAINST THE COVER EDGE WITH ONE HAND.



- PULL ON LATCH CABLE TO RELEASE THE COVER WITH THE OTHER HAND.



- ROLL UP THE COVER CLOSELY.

9 ROLLING UP THE COVER ⓘ

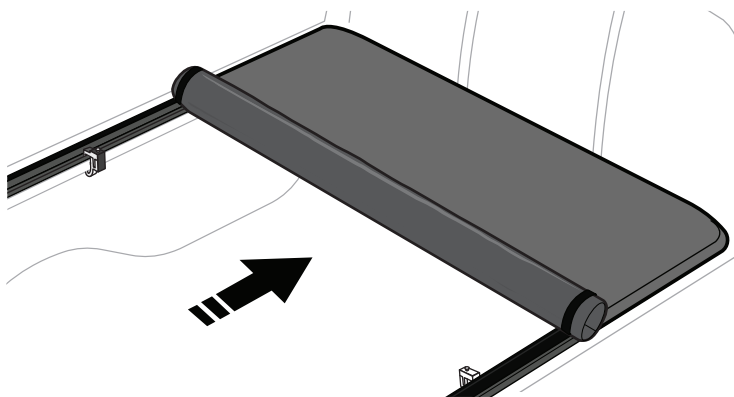


ATTENTION

Make sure the cover is free from any debris before rolling it up. Safety straps must be buckled and tightened before driving.

NOTE

Cover may not fully cover all the way to the outer edges of the bed rails due to small variance in bed sizes from different year models.



DO NOT overload cargo



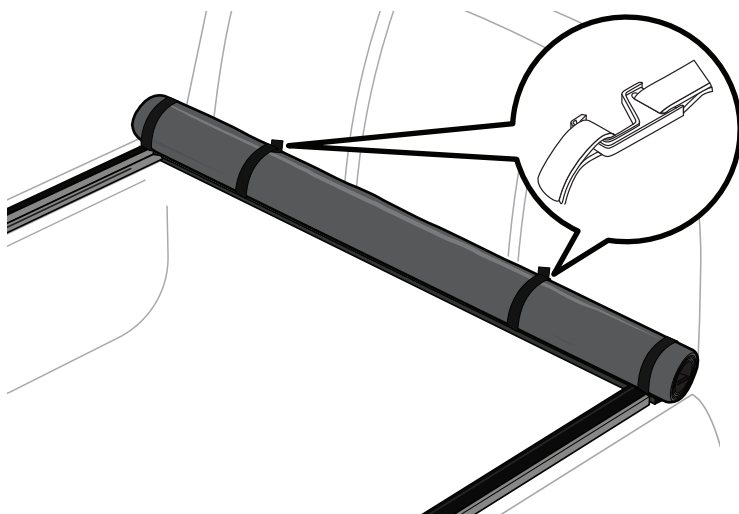
Secure strap buckles before driving



Remove snow before rolling up cover



Use water and soap to clean. Avoid abrasive chemical cleaners



10 TONNEAU COVER CARE & MAINTENANCE

❄️ COLD WEATHER USE – IMPORTANT

- DO NOT operate the vehicle with snow or ice buildup on the cover
- Gently remove any snow buildup from the cover before operation
- If the cover is frozen or stuck, DO NOT force it to roll or unroll
- If frozen, allow the cover to thaw naturally. DO NOT use hot water, chemicals, or de-icing agents
- DO NOT use sharp or hard objects to remove ice or snow, as this may damage the cover

⚠️ CLEANING TIPS

Follow these cleaning guidelines to help prevent damage to the fabric and seams, protect the waterproof barrier, and minimize fading:

- DO NOT use pressure washers or hot water
- Tonneau cover must be removed before using an automated car wash
- Rinse with a standard garden hose using a shower, fan, or mist setting
- Avoid using jet or power stream modes at close range (<1 ft)
- For dirt or stains, use a soft sponge or cloth with mild soap and luke warm water (max 30°C / 86°F)
- Avoid scrubbing, bleach, or harsh chemicals
- Rinse thoroughly and air dry completely before closing or storing
- Avoid prolonged soaking to water and detergent



Gentle
Hand Wash



No
Harsh Chemicals



DO NOT
Pressure Wash



DO NOT
Iron



NO Automated
Car wash

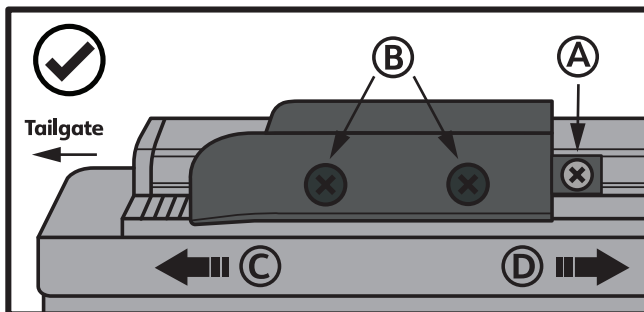
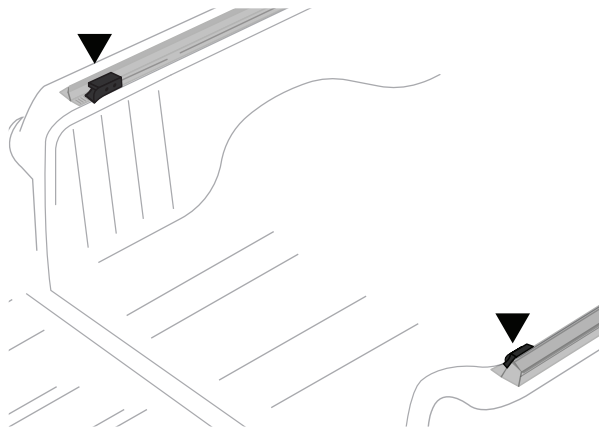


Air Dry

11 SELF-MAINTENANCE THE TENSION CONTROL SYSTEM ⓘ

NOTE: TENSION PLATE ADJUSTMENT IS NOT REQUIRED FOR BRAND-NEW TONNEAU COVERS.

IF THE TENSION BETWEEN THE BULKHEAD & TENSION PLATE HAS BECOME LOOSE OR TIGHT OVER TIME, YOU CAN ADJUST THE TENSION PLATE POSITION TO IMPROVE THE TENSION CONTROL.



- (A)** • FIRST LOOSEN THE FRONT SCREW IN THE RAIL CHANNEL. DO NOT FULLY REMOVE THIS SCREW.
- (B)** • THEN LOOSEN THE 2 SCREWS IN THE TENSION PLATE BLOCK. DO NOT FULLY REMOVE THESE SCREWS. THIS ALLOWS THE TENSION PLATE TO SLIDE BACK AND FORTH.
- (C)** • TO INCREASE THE TENSION (LATCHING IS TOO LOOSE), MOVE THE TENSION PLATE TOWARDS THE TAILGATE. RE-TIGHTEN FIRST THE (A) THEN (B) SCREWS.
- (D)** • TO DECREASE THE TENSION (LATCHING IS TOO TIGHT), MOVE THE TENSION PLATE TOWARDS THE FRONT. RE-TIGHTEN FIRST THE (A) THEN (B) SCREWS.

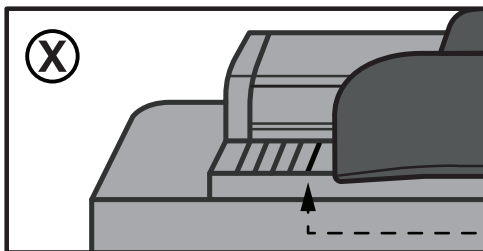
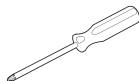


NOTE

Only move one increment at a time. Each increment gives you 1/8" of tension adjustment. Apply the same adjustment to both sides' tension plates.

YOU NEED

Phillips-Head Screwdriver

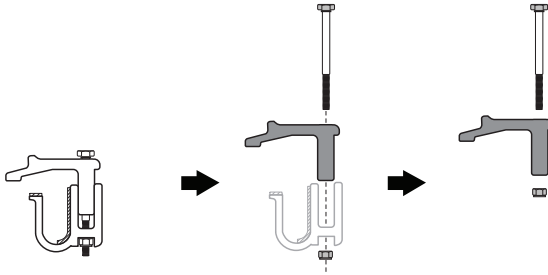


⚠ ATTENTION

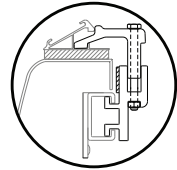
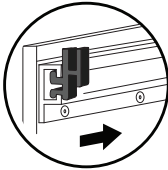
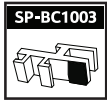
• **DO NOT** ADJUST THE TENSION PLATE BEYOND **THE LAST INCREMENT LINE.**

12 FOR MODELS WITH UTILITY TRACKS

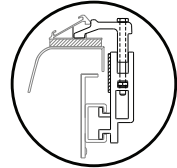
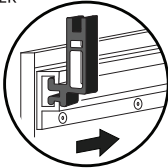
NOTE: REFER TO **PAGE 4** FOR CLAMP ASSEMBLY BREAKDOWN IN RELATION TO QTYS VS BED SIZE



For **NISSAN TITAN**

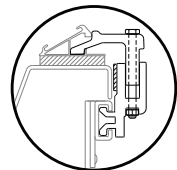
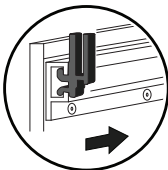


For **NISSAN FRONTIER**
ONLY REQUIRED FOR FRONTIER
MODEL YEARS **UP TO 2021**

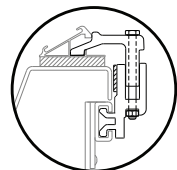
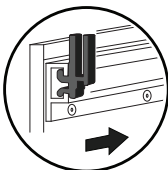


! FOR NISSAN FRONTIER MODEL YEARS **2022 AND UP**, REFER TO **STEP 3** TO INSTALL CLAMPS DIRECTLY TO THE BED RAILS.

For **TOYOTA TUNDRA**

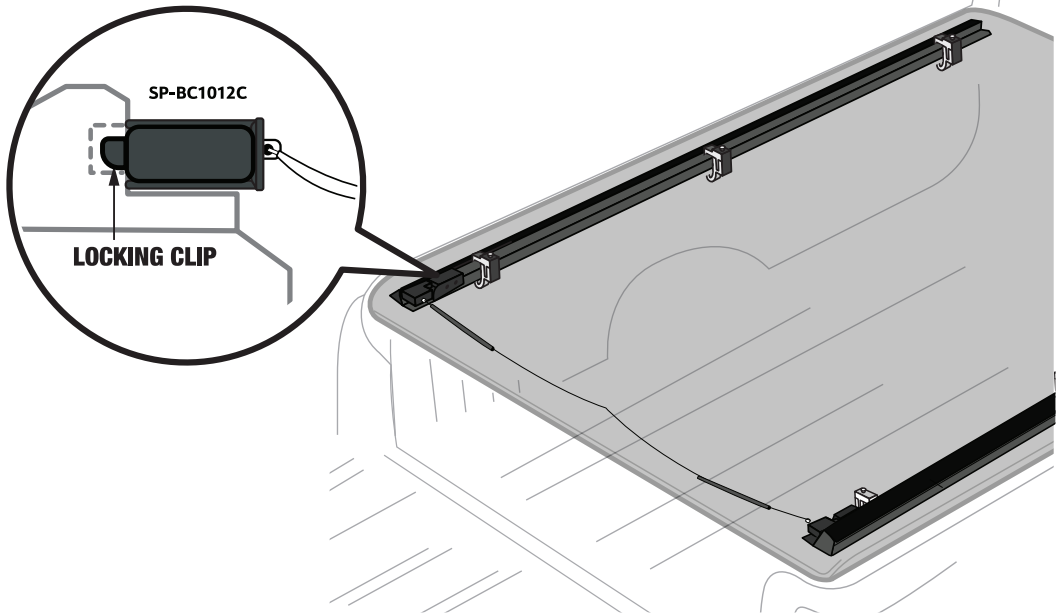


For **TOYOTA TACOMA**

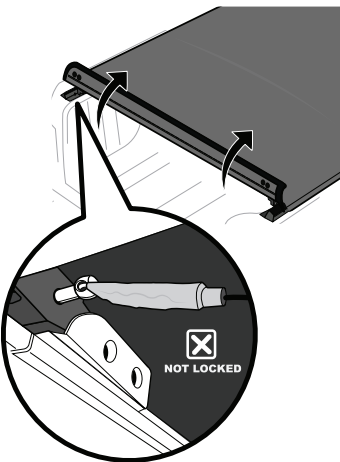


13 COVER DOESN'T STAY LATCHED?

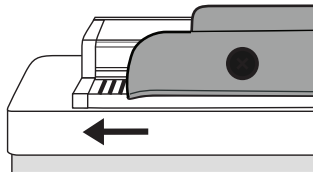
- MAKE SURE THE LOCKING CLIP ON BOTH SIDES ARE COMPLETELY INSERTED INTO THE CHANNEL ON THE SIDE RAILS TO AVOID END OF THE COVER BECOMING UNLATCHED.



- 14** • IF COVER DOESN'T STAY CLOSED AND YOU FIND THE LOCKING CLIP IS NOT FULLY INSERTED.



- 15** • IF NEEDED, FOLLOW INSTRUCTIONS IN PAGE 11 TO ADJUST THE TENSION PLATE.



- 16** • MAKE SURE THE LOCKING CLIP ON BOTH SIDES ARE INSERTED INTO THE CHANNEL ON THE SIDE RAILS.

