



# TYGER®

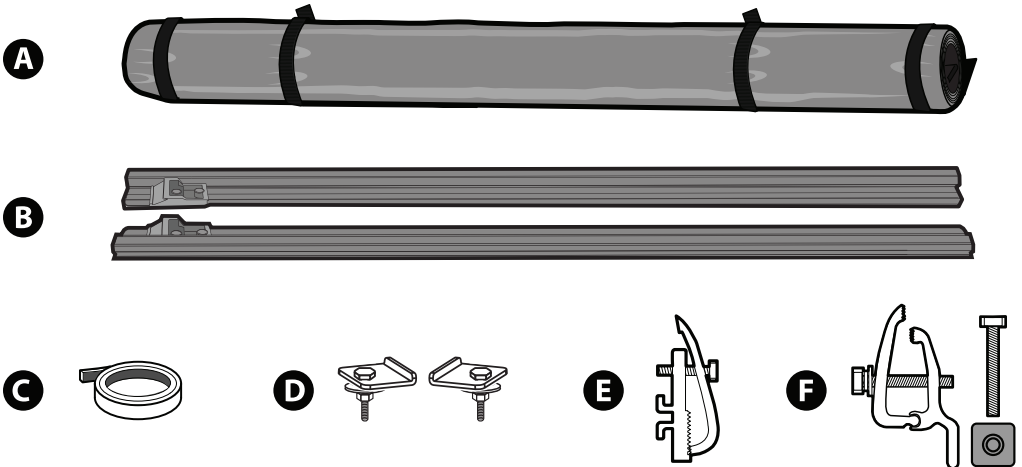
# T2

## LOW PROFILE SOFT ROLL-UP TONNEAU COVER

For NISSAN FRONTIER



Scan to Download the Latest Digital Version



### ⚠ ATTENTION ⚠

Read instructions carefully before starting installation. Remove contents from box and verify all parts are present. Failure to identify damage before installation could lead to rejection of any claim.

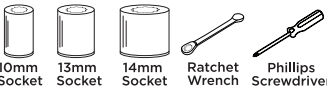
### DAMAGED or MISSING PARTS?

### NEED HELP?

contact us: 1-866-340-3038

### TOOLS REQUIRED

(NOT INCLUDED)



10mm Socket

13mm Socket

14mm Socket

Ratchet Wrench

Phillips Screwdriver

## PARTS LIST

⚠ This cover includes different sets of clamp to fit models with or without factory utility tracks, as instructed in **PAGES 3 and 11**

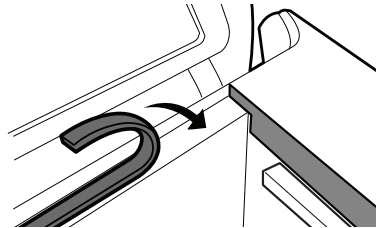
- A** Bed Cover
- B** D & P Side Rails x2
- C** SP-BC0003 Front Seal Strip 170 x 2.5 x 1cm
- D** SP-BC2035 (L & R) Front Bracket Set
- E** SP-BC2046 Mounting Clamp for Frontier with Utility Track
- F** SP-BC2045 Mounting Clamp for Frontier without Utility Track

## TORQUE SPECS:

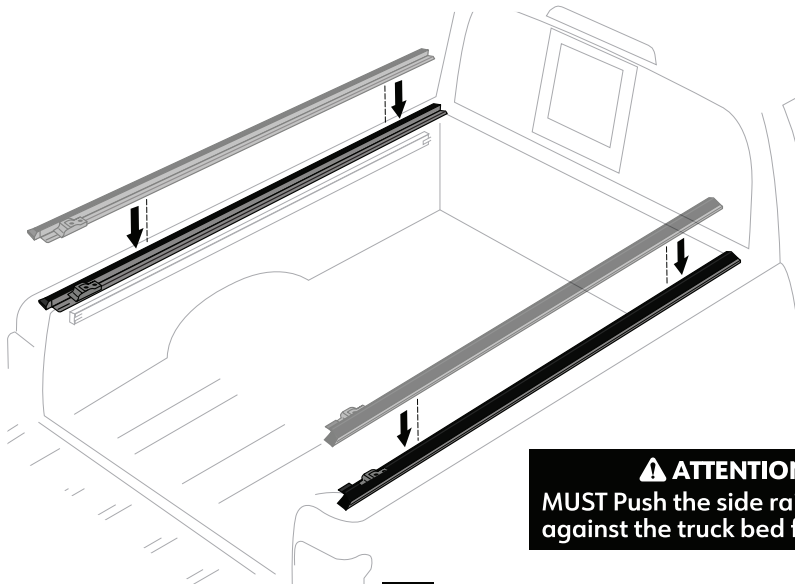
Imperial Size	Grade 5	Grade 8	Metric Size	Class 8.8	Class 10.9
5/16"	15 ft/lbs	20 ft/lbs	6MM	5 ft/lbs	9 ft/lbs
3/8"	30 ft/lbs	35 ft/lbs	8MM	18 ft/lbs	23 ft/lbs
7/16"	45 ft/lbs	60 ft/lbs	10MM	32 ft/lbs	45 ft/lbs
1/2"	65 ft/lbs	90 ft/lbs	12MM	55 ft/lbs	75 ft/lbs
9/16"	95 ft/lbs	130 ft/lbs	14MM	85 ft/lbs	120 ft/lbs
5/8"	135 ft/lbs	175 ft/lbs	16MM	130 ft/lbs	165 ft/lbs
3/4"	185 ft/lbs	280 ft/lbs	18MM	170 ft/lbs	240 ft/lbs

### 1 APPLY THE SEALING STRIP

Apply the provided weather seal strips if the truck's front bed rail is lower than the sides



### 2 INSTALL THE SIDE RAILS

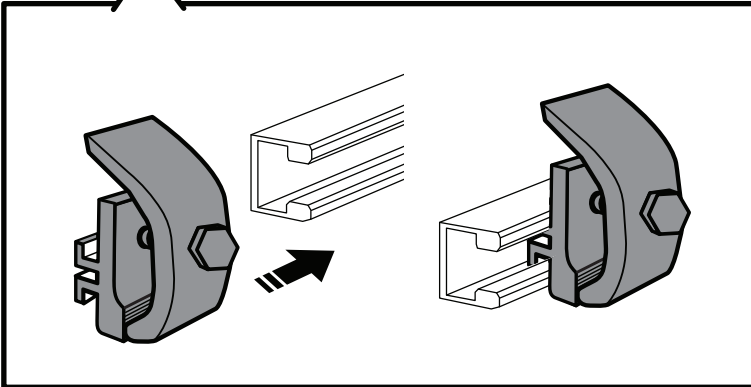
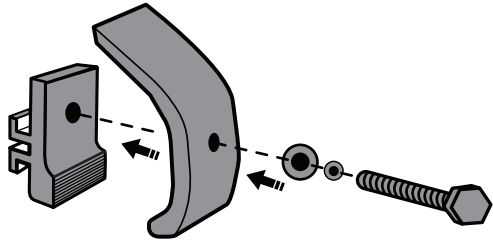


**⚠ ATTENTION:**  
MUST Push the side rails forward  
against the truck bed front panel

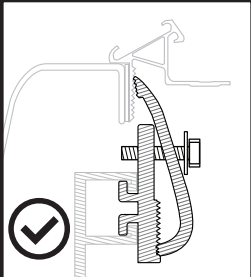
# 3 INSTALL UTILITY TRACK CLAMPS E

(For vehicles without Utility Tracks, refer to **STEP 12** from **PAGE 11** for clamp installation instruction.)

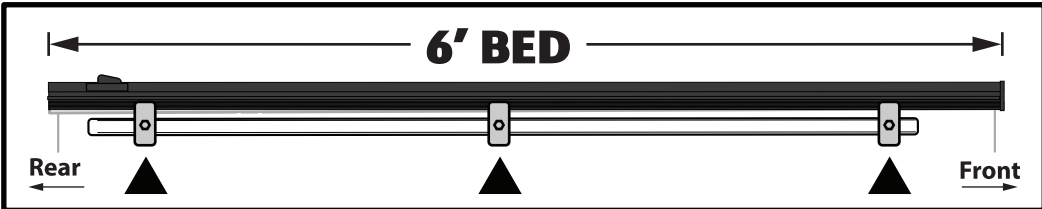
**NOTES**  
The front and rear clamps should be installed as close to each end of the track as possible to minimize tension to the rail.



## ATTENTION




Clamps **MUST** be attached securely to the side rail against the utility track bracket with a wrench.



# 4 INSTALLING COVER ASSEMBLY A

**SP-BC2035**

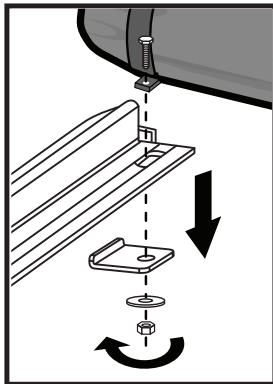


L: Driver Side **D**

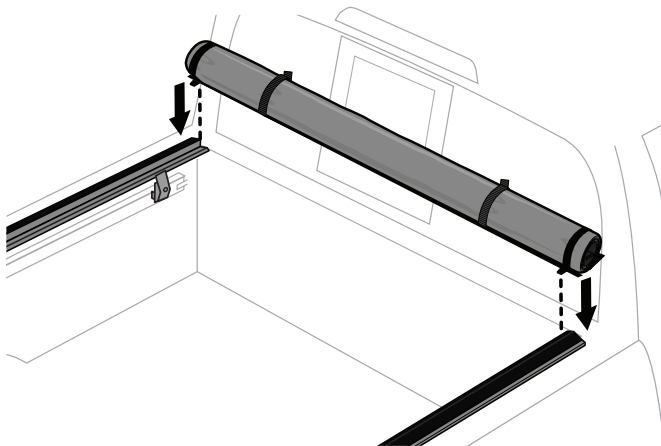
R: Passenger Side

**NOTE**

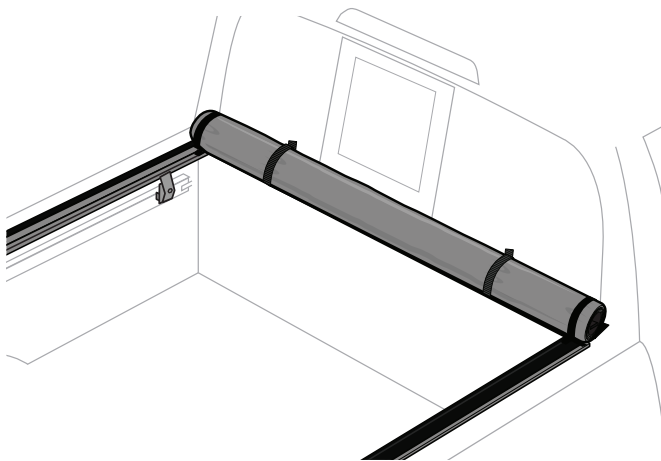
Confirm the **L** or **R** lettering on the bottom of the brackets to determine which one to use for either side.



**4-1**



**4-2**



# 5 ROLLING OUT THE COVER ⓘ

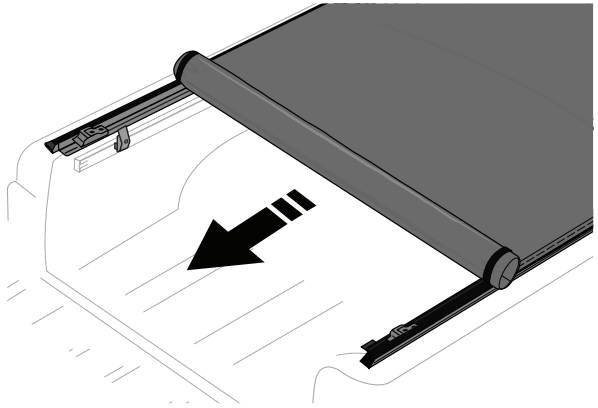


**ATTENTION**

Incorrect positioning of the crossbars can cause water to pool on the cover.

**ATTENTION**

Horizontal crossbars are arched by design to help drain and prevent water pooling. Make sure the arched side is facing up during installation.

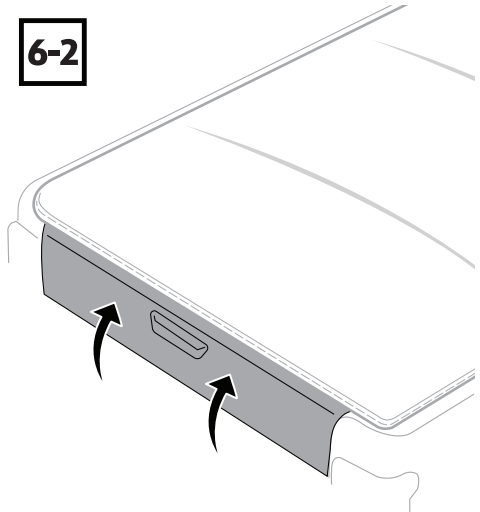


# 6 LOCKING THE COVER ⓘ

6-1



6-2



**WARNING!**

**In channel**

**NOT in channel**

ⓘ Latch head that is out of position can cause damage to the channel.

**NOTE**

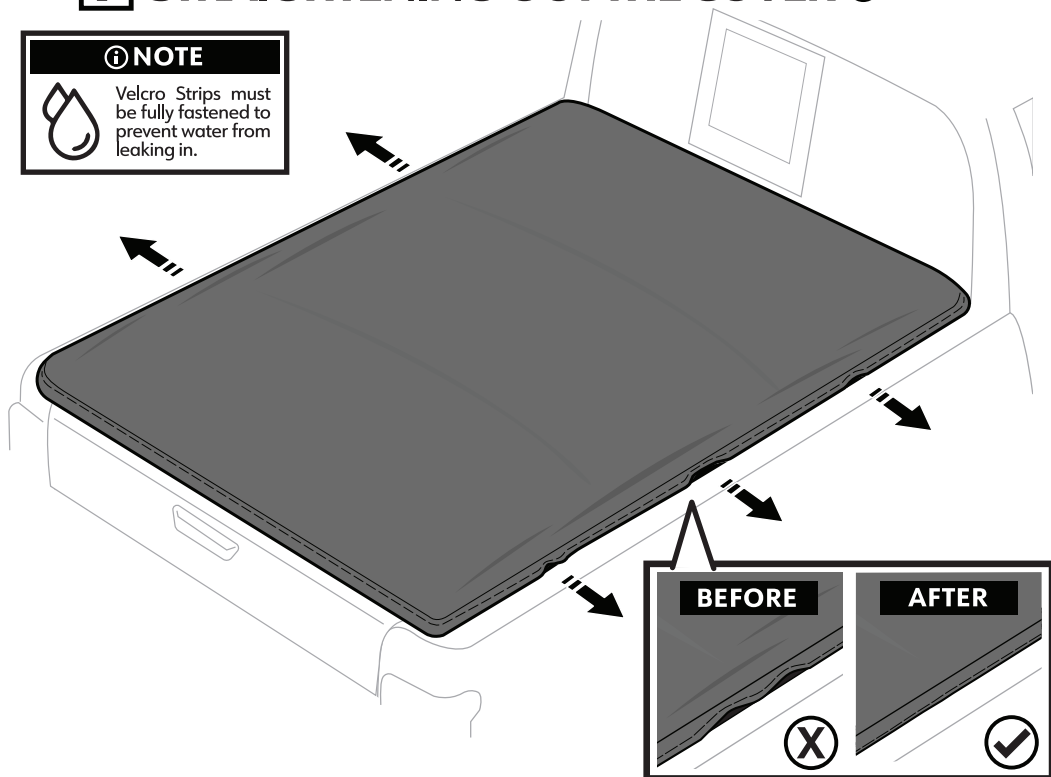
For latching issue, refer to **PAGE 10** for trouble shooting instruction.

## 7 STRAIGHTENING OUT THE COVER ⓘ

### ⓘ NOTE



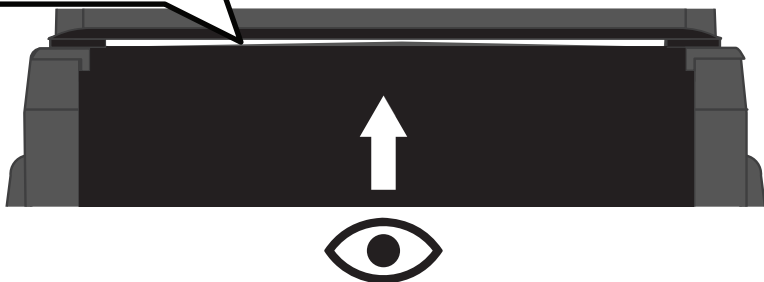
Velcro Strips must be fully fastened to prevent water from leaking in.



## 8 CHECKING FOR GAPS

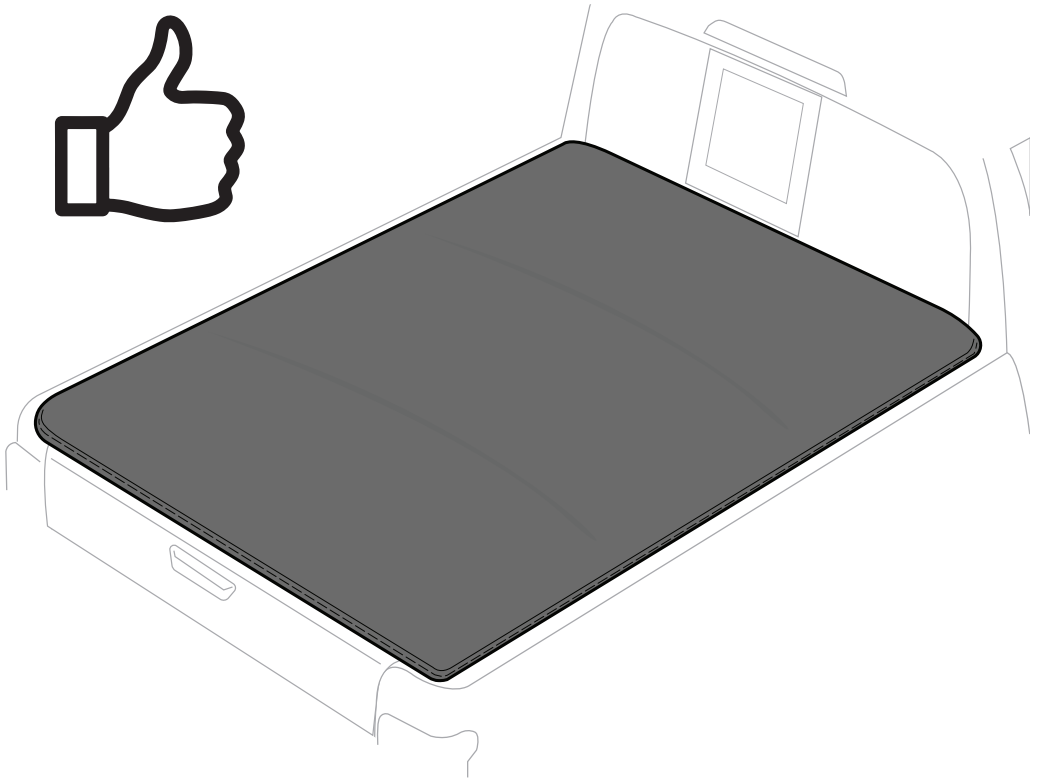
### ⚠ ATTENTION

Open the tailgate and check for leaking daylight from any seams and gaps along each bed rail sides. Trim off pieces of Rubber Sealing Strip to size then apply to fill those areas to mitigate water leaks.



## Before you finish

- ✓ 1) Confirm side rails and clamps are properly installed
- ✓ 2) Seal off any leaking light with foam strip and rubber strip
- ✓ 3) Carefully close the tailgate to confirm the side rails are aligned
- ✓ 4) Tighten all hardware



# ***INSTALLATION COMPLETE!!!***

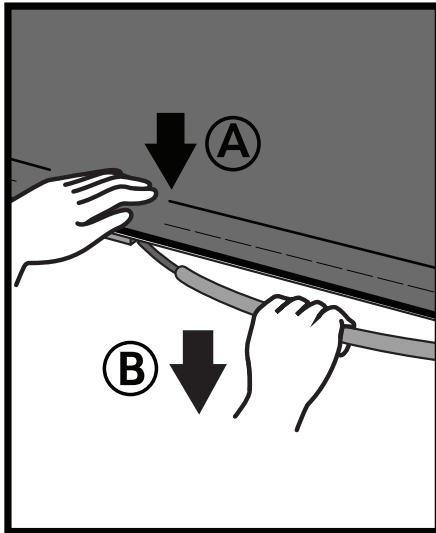
# AFTER INSTALLATION

## 9 RELEASING THE COVER ⓘ



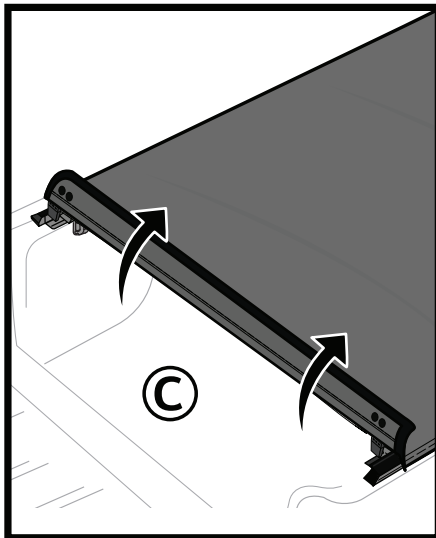
### NOTE

Pressing down on the cover edge will improve the release.



### 9-1

- (A)** • Open the tailgate and push down against the cover edge with one hand.
- (B)** • Pull on latch cable to release the cover with the other hand.



### 9-2

- (C)** • Roll up the cover closely.



# 10 ROLLING UP THE COVER ⓘ



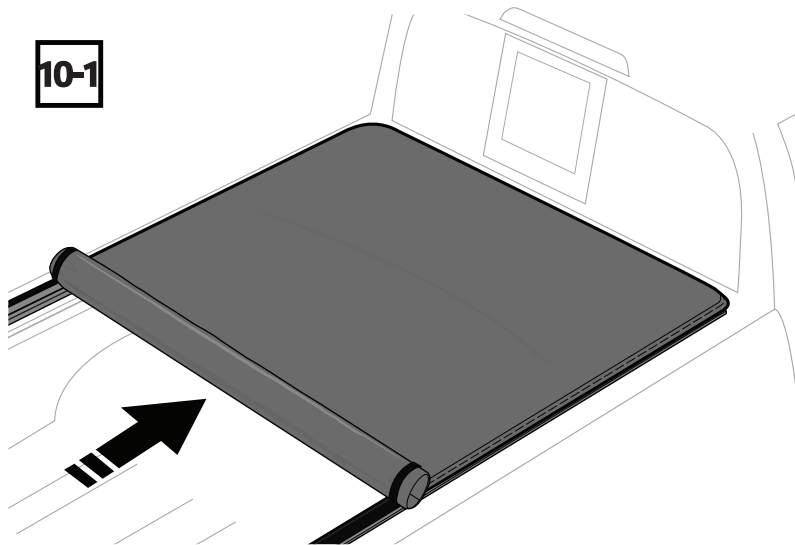
## ATTENTION

Make sure the cover is free from any debris before rolling it up. Safety straps must be buckled and tightened before driving.

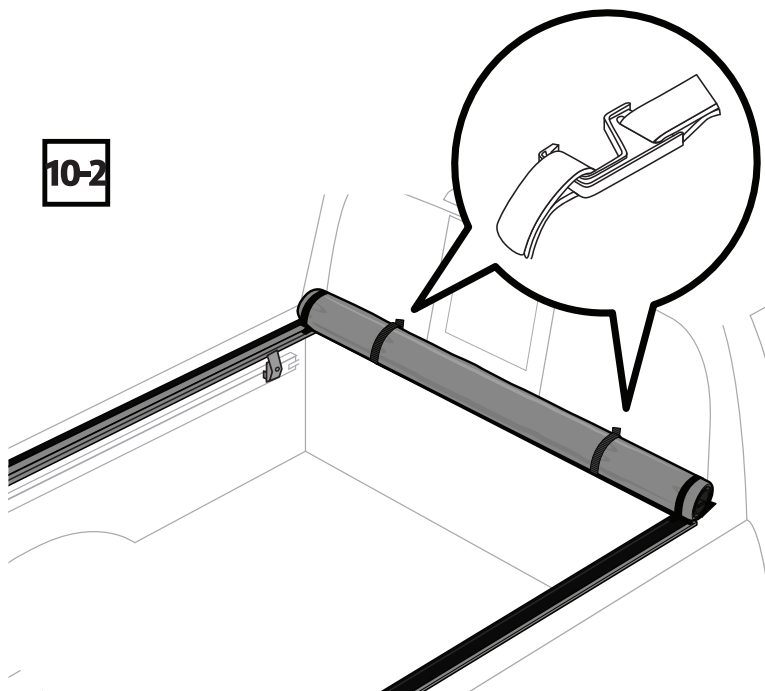
## NOTE

Cover may not fully cover all the way to the outer edges of the bed rails due to small variance in bed sizes from different year models.

10-1



10-2



DO NOT  
overload cargo



Secure strap buckles  
before driving



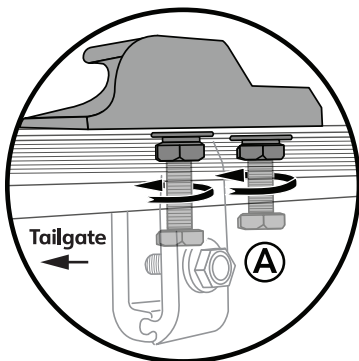
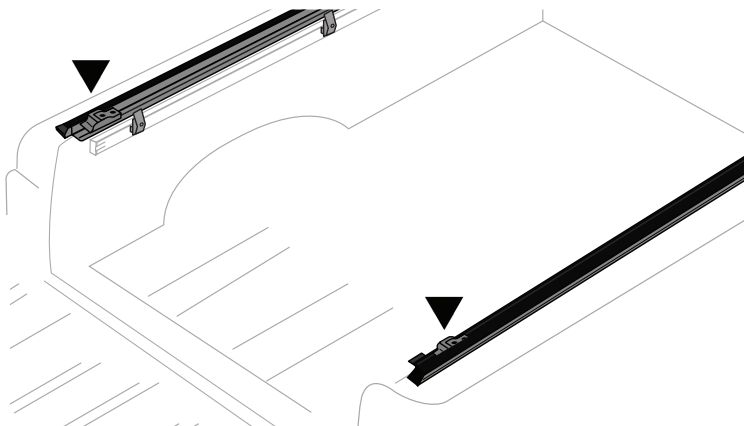
Remove snow before  
rolling up cover



Use water and  
soap to clean.  
Avoid abrasive  
chemical cleaners

# 11 SELF-MAINTENANCE THE TENSION CONTROL SYSTEM ⓘ

**NOTE:** Tension plate adjustment is not required for brand-new tonneau covers. If the tension between the bulkhead & tension plate has become loose or tight over time. You can adjust the tension plate position to improve the tension control.

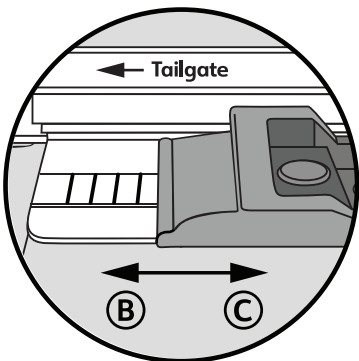


- Loosen the screws underneath the tension plate to allow the tension plate to slide back and forth.



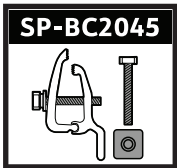
## NOTE

Only move one increment at a time. Each increment gives you 1/8" of tension adjustment. Apply the same adjustment to both sides' tension plates.

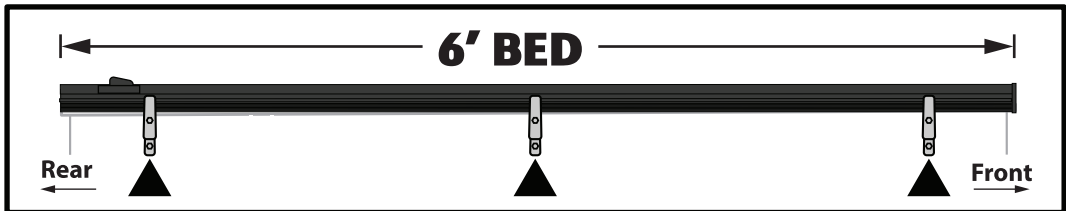
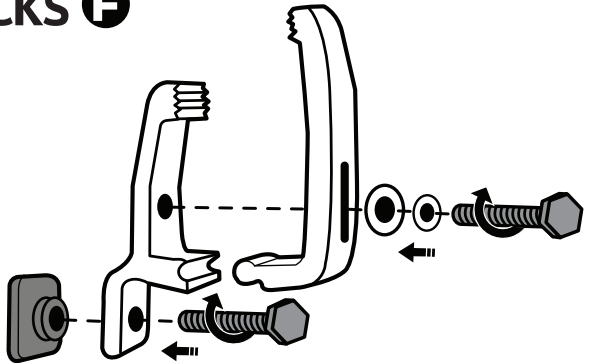


- To tighten the tension (latch is too loose), move the tension plate towards the tailgate.
- To loosen the tension (latch is too tight), move the tension plate away from the tailgate.

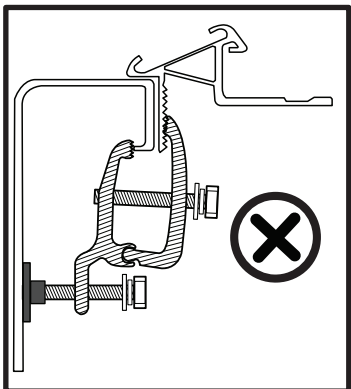
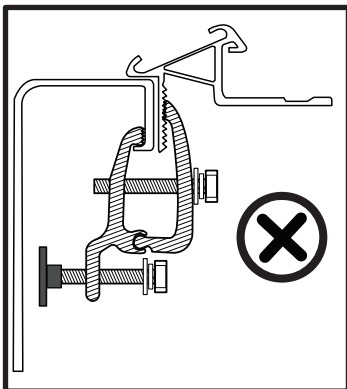
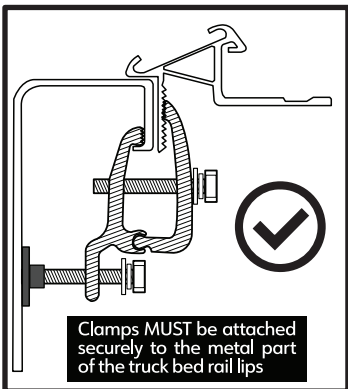
# 12 CLAMPS FOR MODELS WITHOUT UTILITY TRACKS **F**



**NOTES**  
The front and rear clamps should be installed as close to each end as possible to minimize tension to the rail.



**⚠ ATTENTION ⚠**



Continue installation to **PAGE 4**

