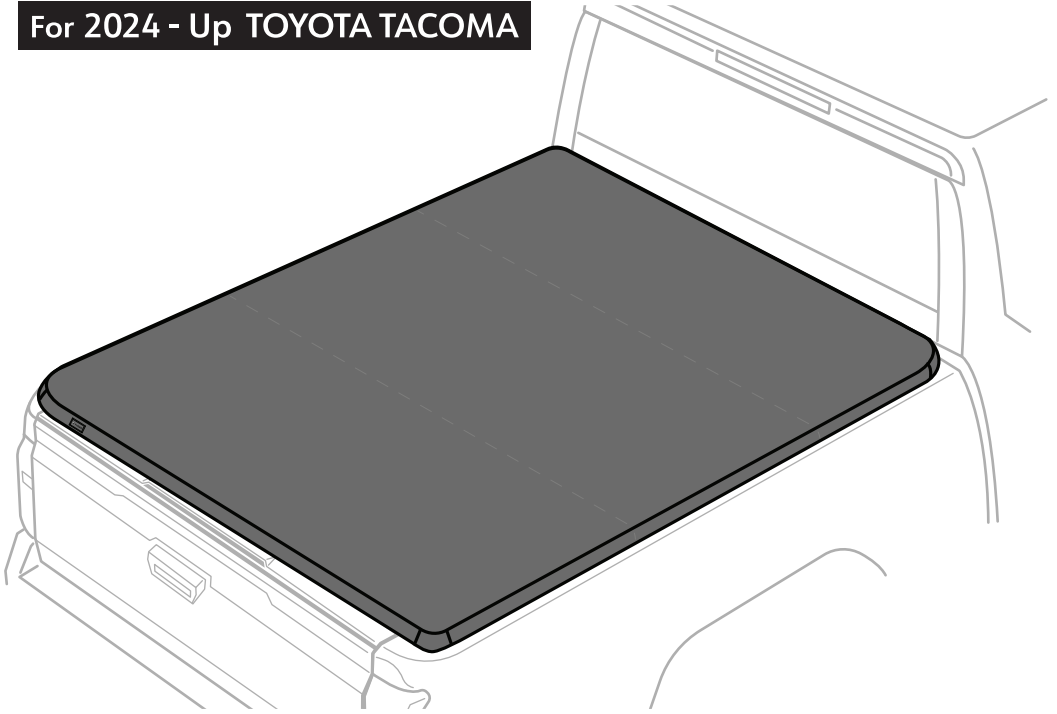


# T3X | SOFT TRI-FOLD COVER IN FABRIC

For 2024 - Up TOYOTA TACOMA



**⚠ ATTENTION ⚠**

Read instructions carefully before starting installation. Remove contents from box and verify all parts are present. Failure to identify damage before installation could lead to rejection of any claim.

**CONTACT US:**

1-866-340-3038

PHONE

LIVE CHAT

Bed Cover

SP-BC3003B

SP-BC0006

SP-BC0014 Front Seal Strip 150 x 2.0 x 0.4cm

SP-BC0016 Bulkhead Side Foam Block 6.0 x 2.5 x 2.5cm

## PARTS LIST

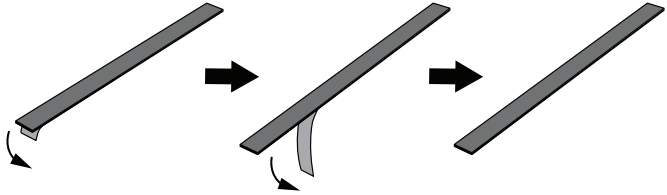
SP-BC0017 Bulkhead Side Seal Foam 3.5 x 2.6 x 0.3cm

SP-BC0022 Front Utility Track Seal Strip 150 x 2.3 x 1.7cm

# 1 APPLYING SEAL STRIPS ⓘ

The Tacoma's front bed rail area requires sealing foams to fill the gaps on each side and to level the uneven surfaces around the bed rail.

**ATTENTION:** GAPS ON THE FRONT BED AND TAILGATE CAN CAUSE NOISE AND FLAPPING ISSUES WHILE DRIVING ALONG WITH WATER LEAKAGE.



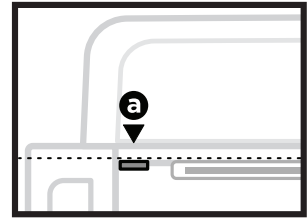
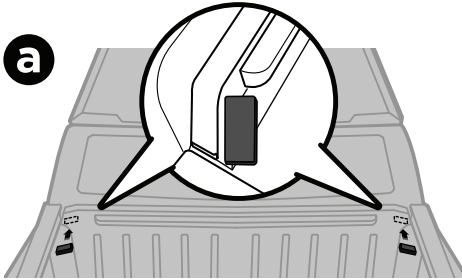
**SP-BC0016**



**Bulkhead Side Foam Block**

Attached on each side to be used as a base for the Utility Track Seal Strip in Step **b**.

**a**



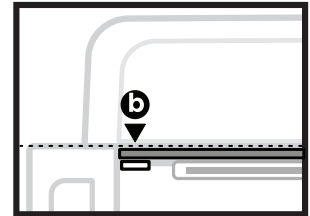
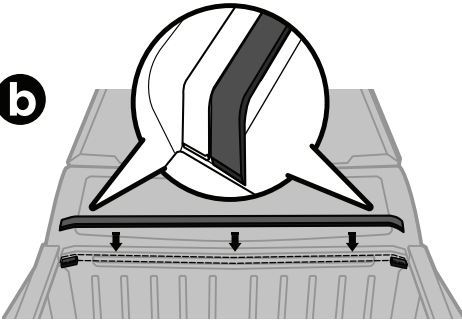
**SP-BC0022**



**Front Utility Track Bulkhead Seal Strip**

**Apply on Front Utility Track** to level the lower bulkhead with the side bed rails

**b**



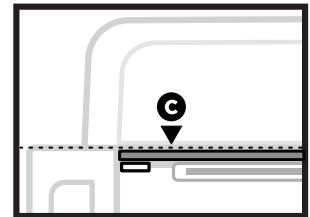
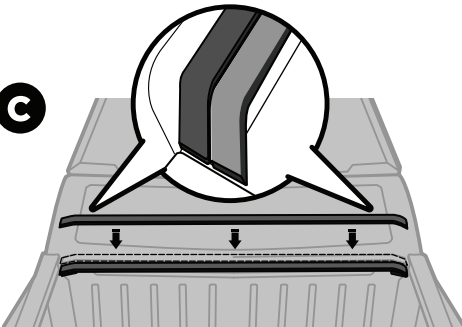
**SP-BC0014**



**Front Seal Strip (0.4cm thick)**

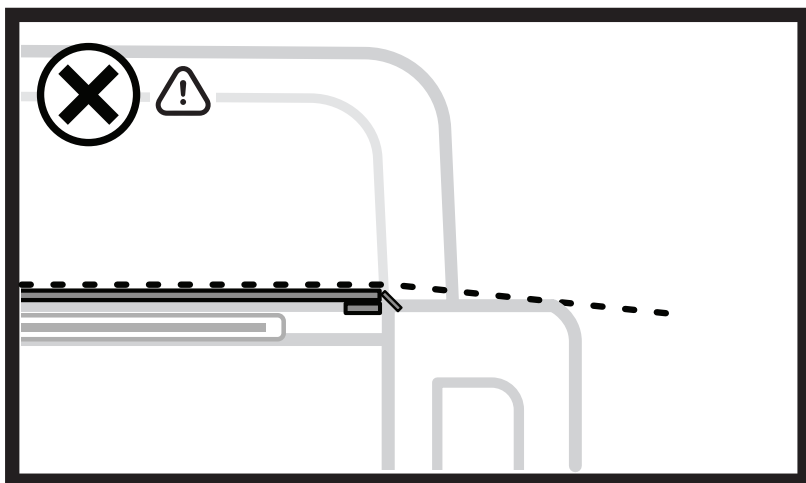
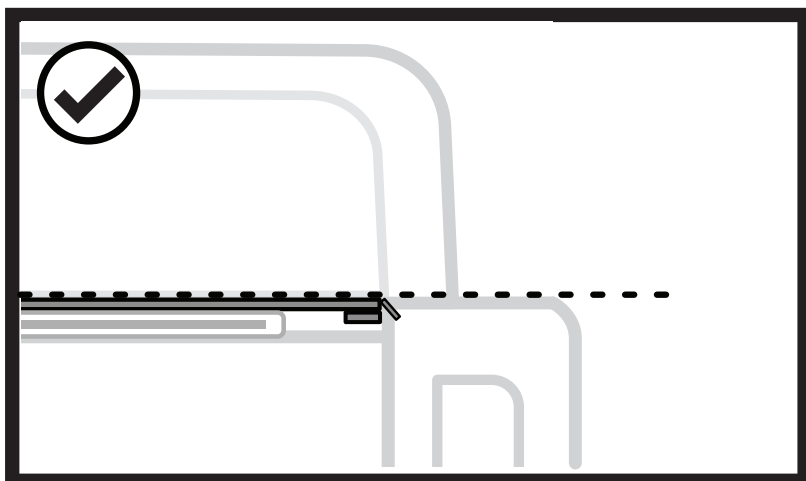
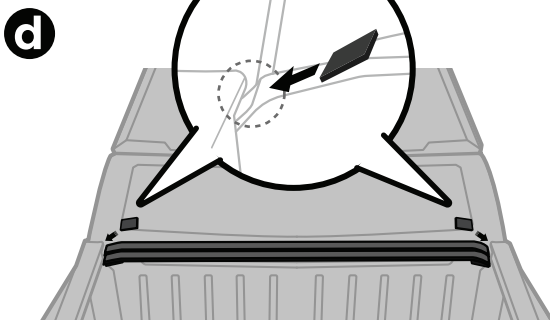
Used to level the front bed rail with the side bed rails.

**c**





Slide these into the narrow gaps between the front and side bed panels.

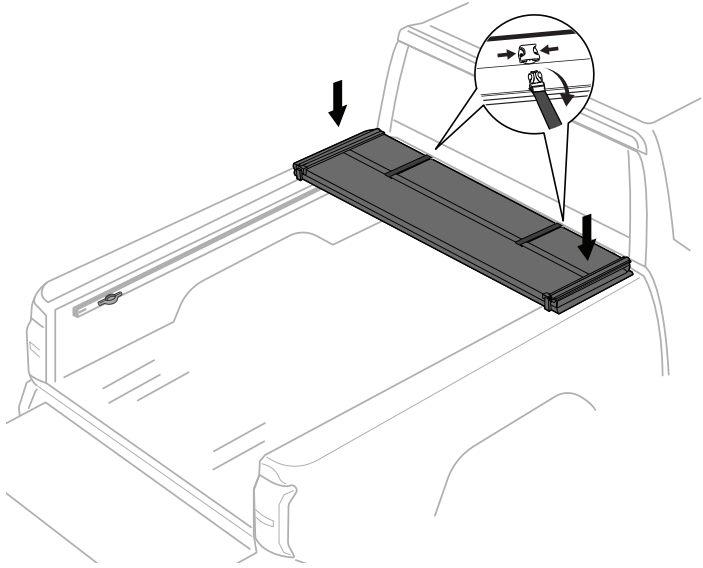
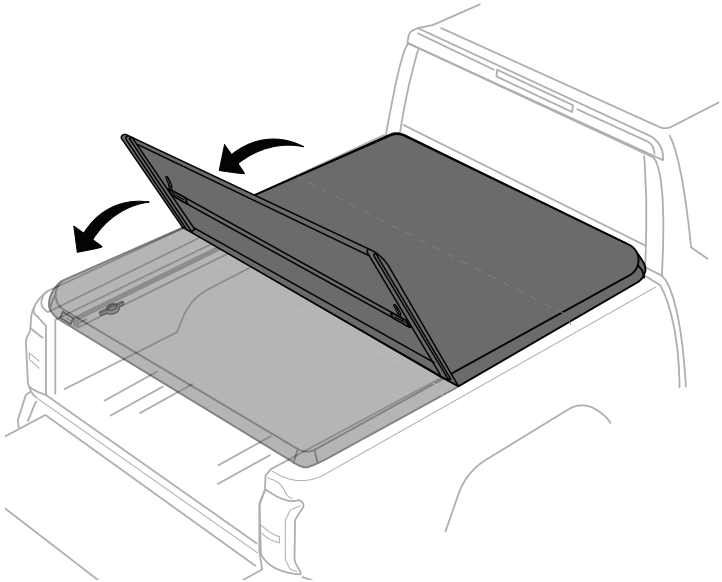


**ATTENTION**

The sponge strips must be on the same plane, otherwise will cause water leaking.

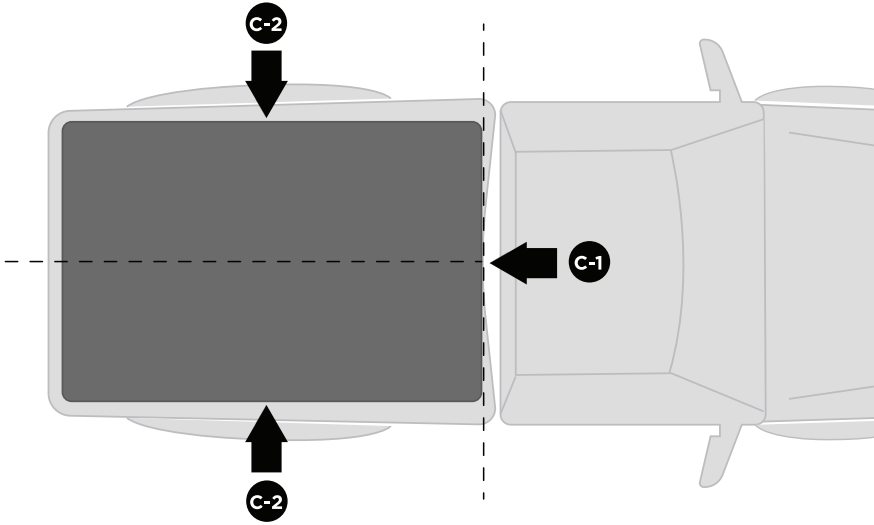
## 2 LAYING OUT THE COVER

- Place the folded cover assembly on the bed rail and align the front edge all the way with the outer edge of the bed rail.
- Release the safety buckles and fully unfold the cover towards the tailgate. Both sides should align evenly with the side bed rails.

**a**

**b**


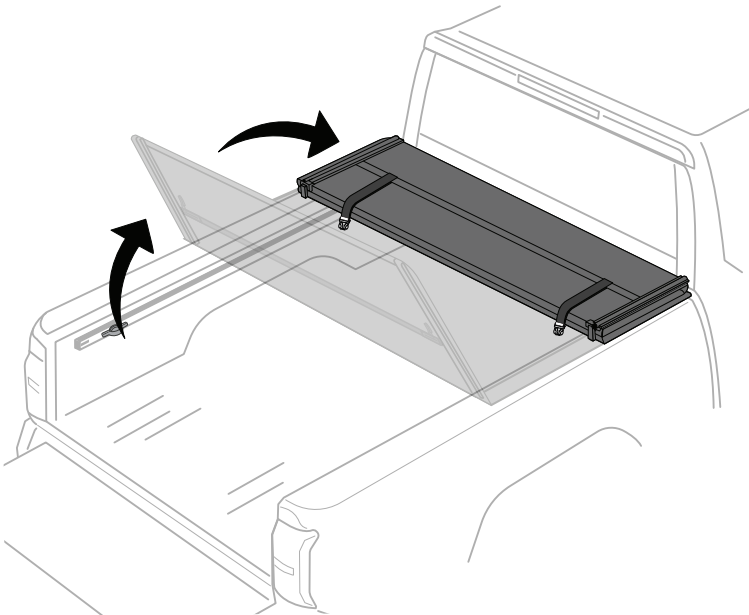
**C**

- C-1** • Align the front of the cover against the outer edge at the midpoint of the front bed rail.
- C-2** • Align both sides of the cover evenly on the side bed rails. The width of the cover does not cover all the way to the outer edges of the side rails.



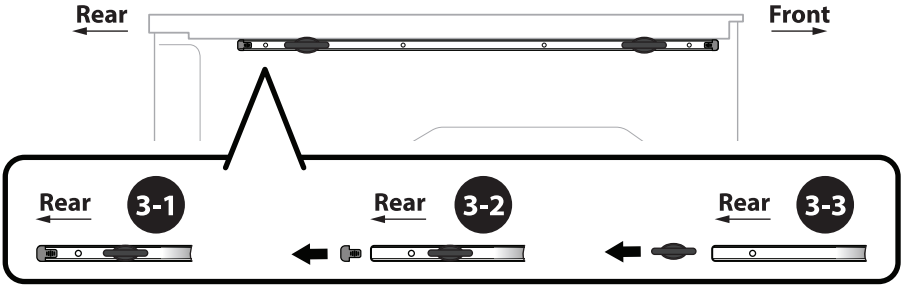
**3 FOLDING BACK THE COVER**

- Carefully refold the cover without moving its position on the truck bed.

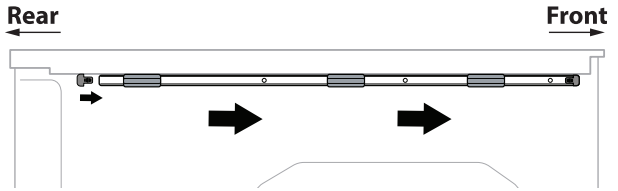
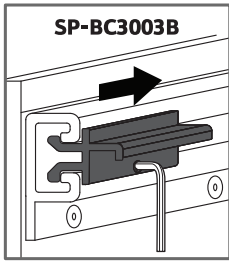


### 3 INSTALL THE ALTERNATE BRACKETS

Models with utility tracks require alternate brackets to access the bed railing lip. First, remove any tie-down anchors installed along the tracks. Then, slide in the alternate brackets and position them aligned with the cover clamps. Slide anchors back in between the brackets if needed.



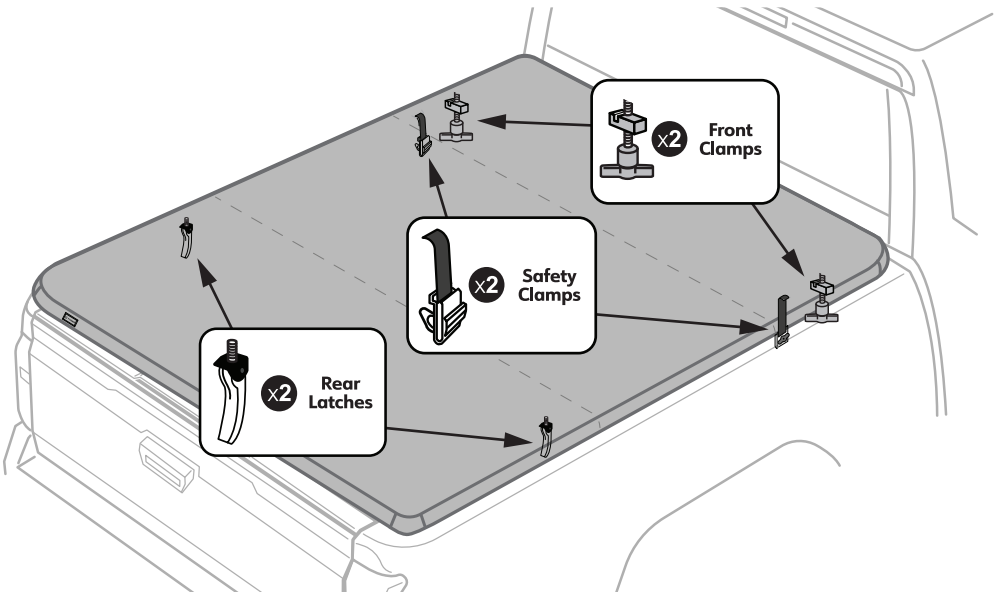
3-4



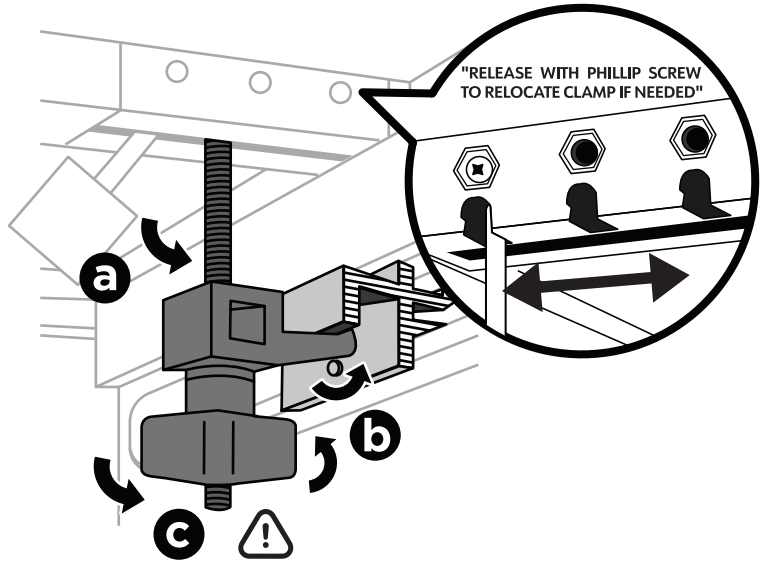
Affix it to the proper positions with the supplied 2.5mm Hex Key.

### 4 CLAMPS & LATCHES OVERVIEW

• The clamps and latches are already attached to the assembled cover.



## 5 APPLYING FRONT CLAMPS <sup>i</sup>



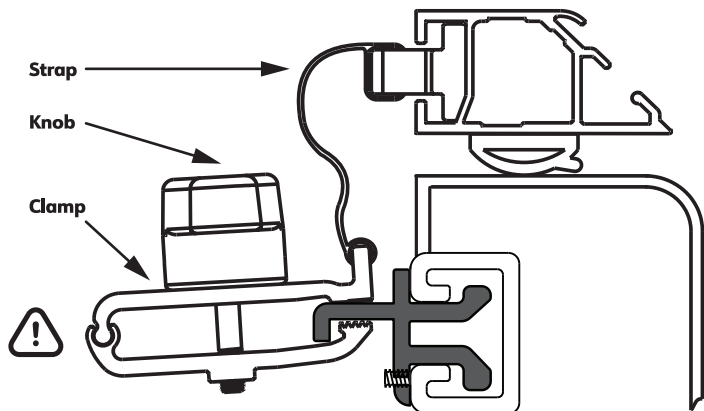
**a** • Pull down front clamps into vertical position.

**b** • Hook the jaw of the clamp onto the metal bed rail lip. Clamp pad can be inserted to protect the paint.

**c** • Turn the knob until side q-seal on the cover is compressed and the clamp is snug.

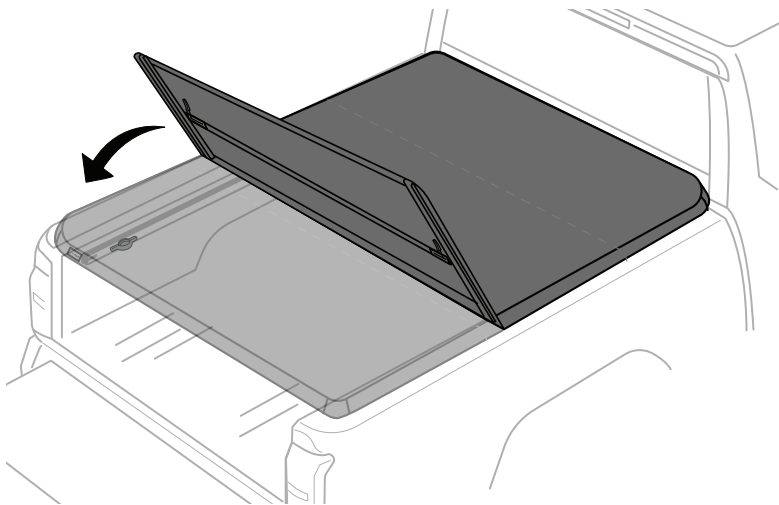
## 6 APPLYING SAFETY CLAMPS <sup>i</sup>

• Turn the knob counterclockwise to loosen the safety clamp with the strap, attach clamp to the metal bed rail lip on both sides, then tighten.

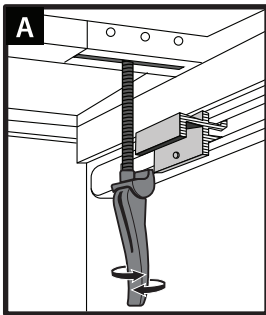


## 7 UNFOLD THE TONNEAU COVER

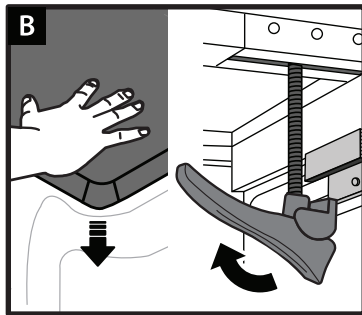
- Unfold the cover completely towards the tailgate.



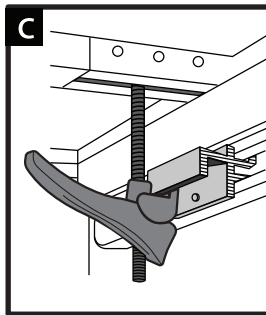
## 8 FASTENING REAR LATCHES



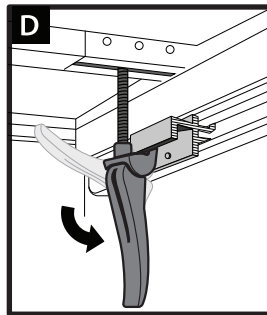
**A:** Start by pulling down latch handle from the back of cover. Then unscrew the handle to lower its position.



**B:** With one hand, lift and keep the latch handle pointing up as much as possible (beyond 90°). Then, with the other hand firmly pressed down onto the cover corner. Continue to rotate handle to adjust the position.



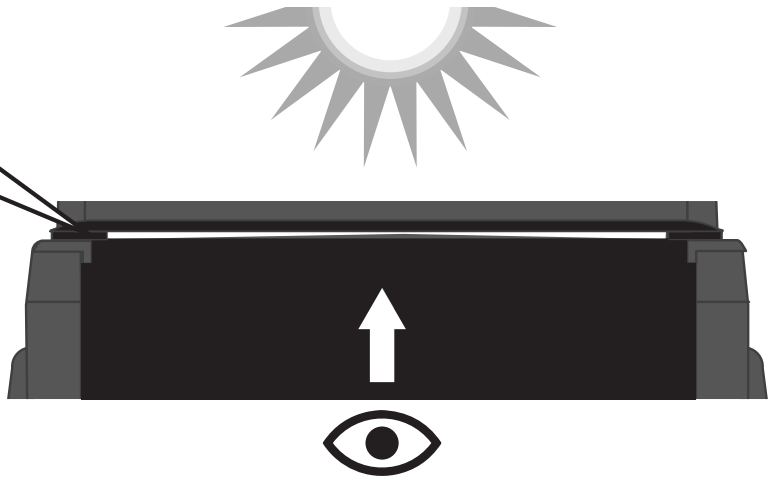
**C:** For the tightest fit, opening of latch jaw should be level with the side rail lip without limiting access to the jaw.



**D:** Latch the jaw groove fully into the rail lip, then crank handle down to tighten. Go back and readjust jaw position from step b if the latch does not feel very tight.

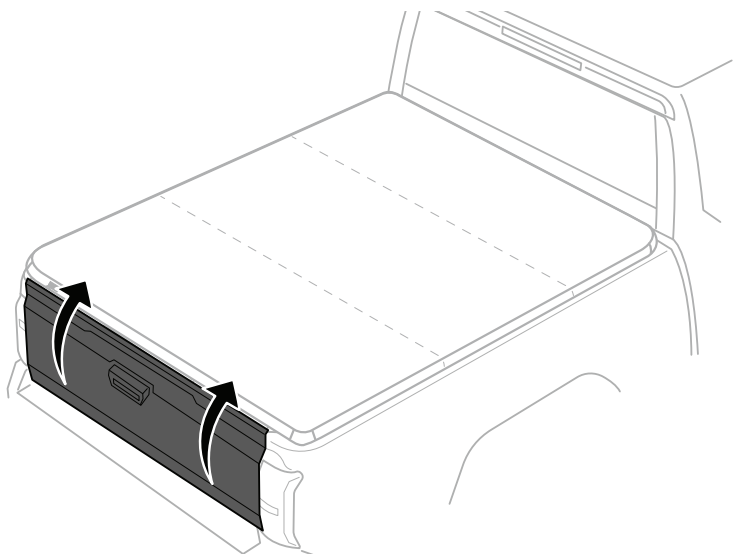
## 9 CHECKING FOR GAPS ⓘ

- With the tailgate open, visually inspect for light leaking through the gaps. Apply additional sealing strips to fill the gaps then reinspect and repeat.

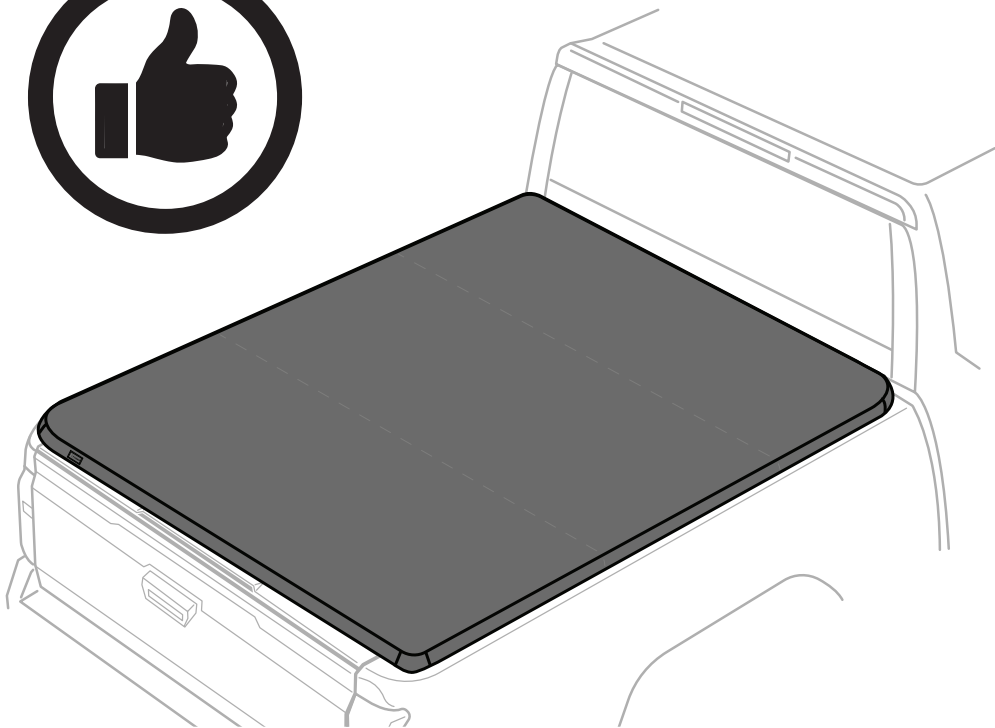


## 10 FINISHING INSTALLATION

- After rear latches are securely fastened, shut & lock the tailgate so the cover cannot be opened from the outside.



# INSTALLATION COMPLETE!!!



DO NOT  
overload cargo



DO NOT place  
sharp objects on top



Remove snow before  
folding up cover



Secure strap buckles  
before driving



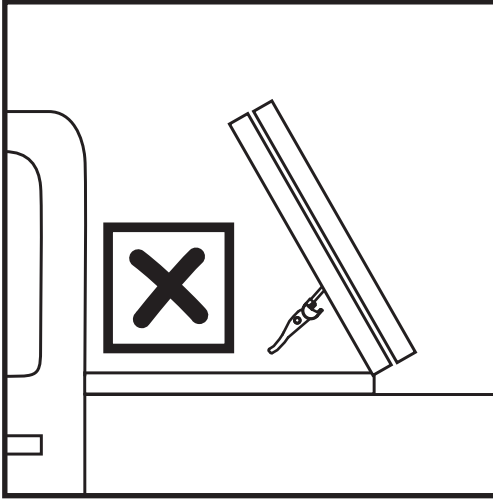
Use seal strips for  
Exposed gaps to  
Avoid leaking



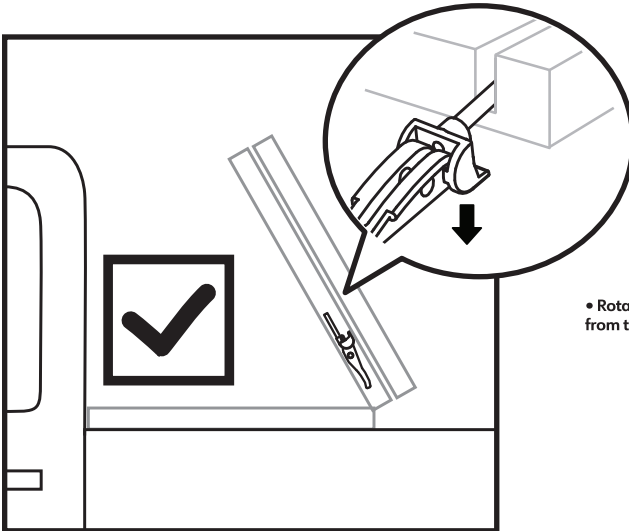
Use water and  
soap to clean.  
Avoid abrasive  
chemical cleaners

# AFTER INSTALLATION

## 11 FOLDING UP THE COVER



- Rear latches must be tucked in before you fold back the cover.



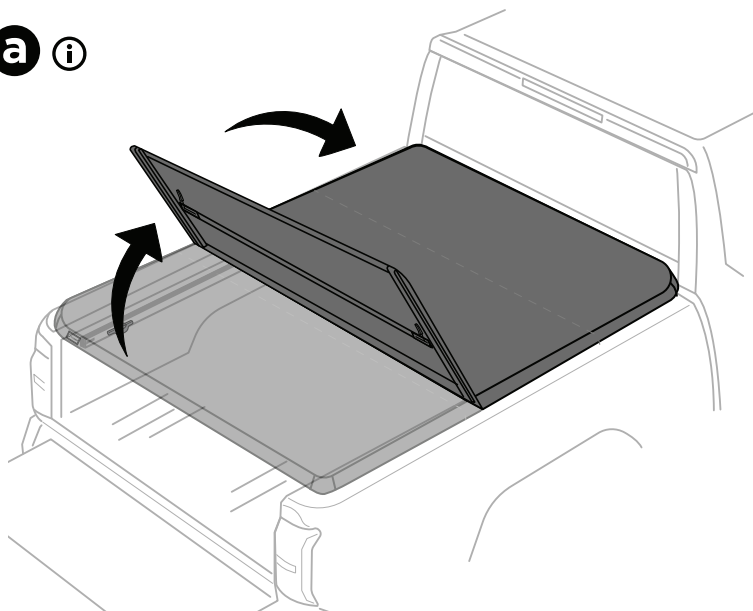
- Rotate the latch so the jaw is not sticking out from the under-side of the cover.



**NOTE**

DO NOT release the front clamps and safety clamps when you unfold the cover, and make sure they are all secured!

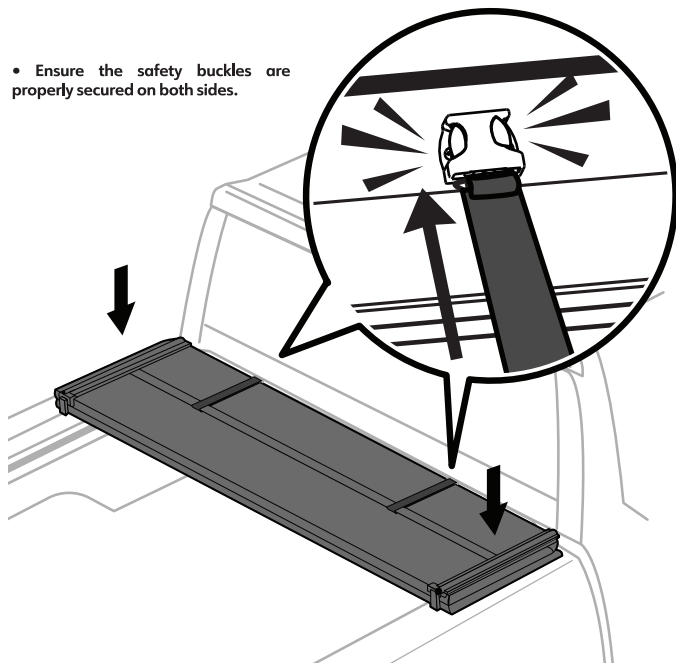
**a**



**CLICK!!!**

**b**

- Ensure the safety buckles are properly secured on both sides.



# 12 TONNEAU COVER CARE & MAINTENANCE

## ❄️ COLD WEATHER USE – IMPORTANT

- DO NOT operate the vehicle with snow or ice buildup on the cover
- Gently remove any snow buildup from the cover before operation
- If the cover is frozen or stuck, DO NOT force it to fold or unfold
- If frozen, allow the cover to thaw naturally. DO NOT use hot water, chemicals, or de-icing agents
- DO NOT use sharp or hard objects to remove ice or snow, as this may damage the cover

## ⚠️ CLEANING TIPS

Follow these cleaning guidelines to help prevent damage to the fabric and seams, protect the waterproof barrier, and minimize fading:

- DO NOT use pressure washers or hot water
- Tonneau cover must be removed before using an automated car wash
- Rinse with a standard garden hose using a shower, fan, or mist setting
- Avoid using jet or power stream modes at close range (<1 ft)
- For dirt or stains, use a soft sponge or cloth with mild soap and luke warm water (max 30°C / 86°F)
- Avoid scrubbing, bleach, or harsh chemicals
- Rinse thoroughly and air dry completely before closing or storing
- Avoid prolonged soaking to water and detergent



Gentle  
Hand Wash



No  
Harsh Chemicals



DO NOT  
Pressure Wash



DO NOT  
Iron



NO Automated  
Car wash



Air Dry

