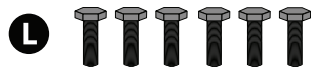
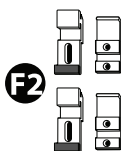
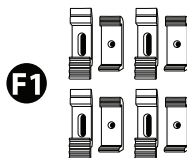
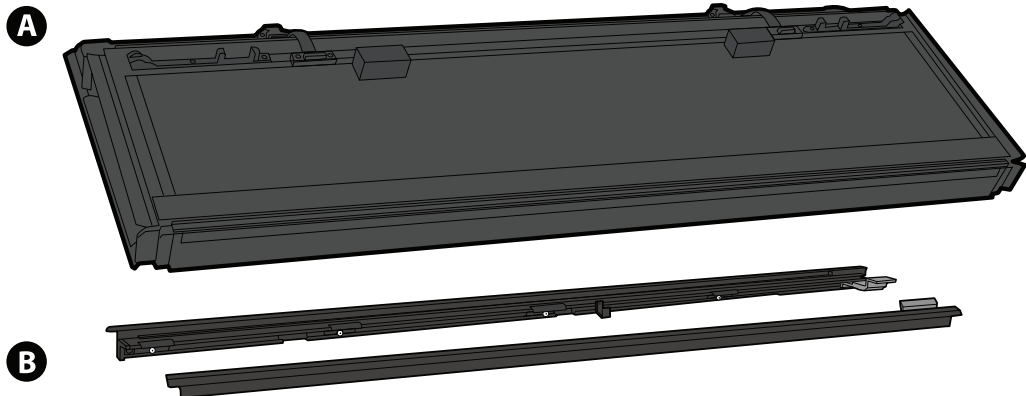


# T4

# LOW-PROFILE HARD FOUR-FOLD TONNEAU COVER

for TG-BC4C4413 / TG-BC4C4409



## PARTS LIST

### ATTENTION

Read instructions carefully before starting installation. Remove contents from box and verify all parts are present. Failure to identify damage before installation could lead to rejection of any claim.

### CONTACT US:

1-866-340-3038

PHONE



LIVE CHAT

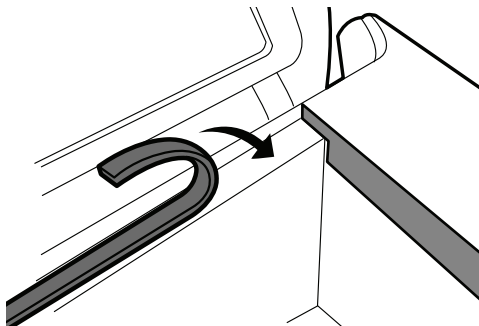
- A** Bed Cover
- B** D & P Side Rails x2
- C** Drain Tubes x2
- D** Support Rods x2
- E** Front Sealing Strip x1
- F1** Clamp Assemblies Front/Middle x4
- F2** Clamp Assemblies Rear x2
- G** Support Rod Brackets x2
- H** Allen Key - 5.0mm x1
- I** Allen Key - 4.0mm x1
- J** Allen Key - 3.0mm x1
- K** Allen Key - 2.5mm x1
- L** Clamp Assembly Hex Bolts x6
- M** Black M6 Screws x4
- N** Wrench x1
- O** Rubber Sealing Strip x1

## TORQUE SPECS:

Imperial Size	Grade 5	Grade 8	Metric Size	Class 8.8	Class 10.9
5/16"	15 ft/lbs	20 ft/lbs	6MM	5 ft/lbs	9 ft/lbs
3/8"	30 ft/lbs	35 ft/lbs	8MM	18 ft/lbs	23 ft/lbs
7/16"	45 ft/lbs	60 ft/lbs	10MM	32 ft/lbs	45 ft/lbs
1/2"	65 ft/lbs	90 ft/lbs	12MM	55 ft/lbs	75 ft/lbs
9/16"	95 ft/lbs	130 ft/lbs	14MM	85 ft/lbs	120 ft/lbs
5/8"	135 ft/lbs	175 ft/lbs	16MM	130 ft/lbs	165 ft/lbs
3/4"	185 ft/lbs	280 ft/lbs	18MM	170 ft/lbs	240 ft/lbs

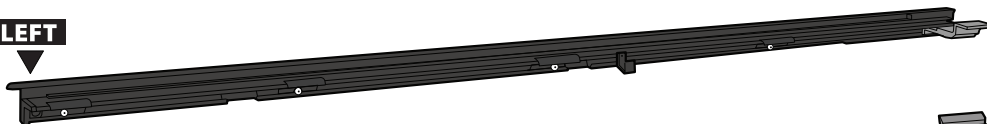
### 1 APPLY THE SEALING STRIP **B**

Apply the provided weather seal strips if the truck's front bed rail is lower than the sides

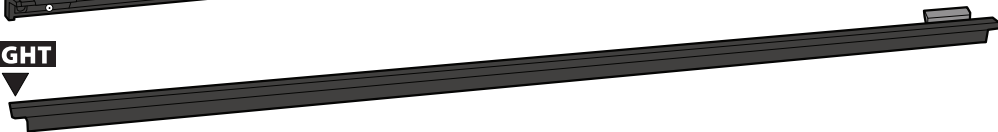


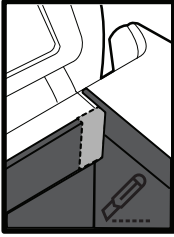
### 2 INSTALL THE SIDE RAILS **B**

LEFT

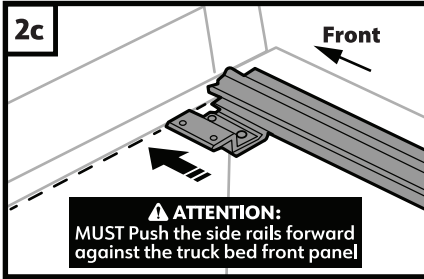
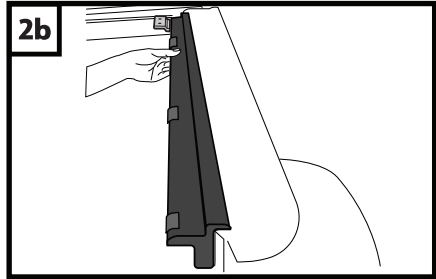
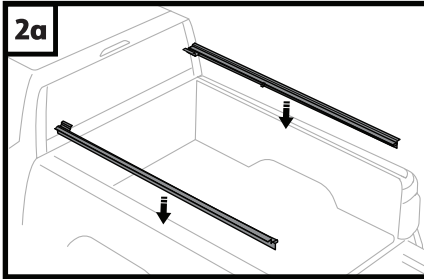


RIGHT

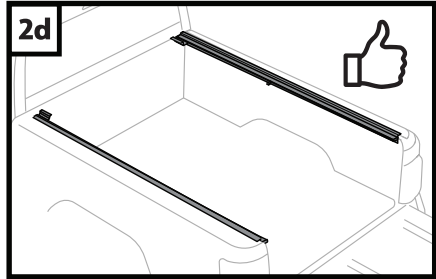


**⚠ ATTENTION**


Cut out a notch in drop-in bedliners so side rails can reach the front panel

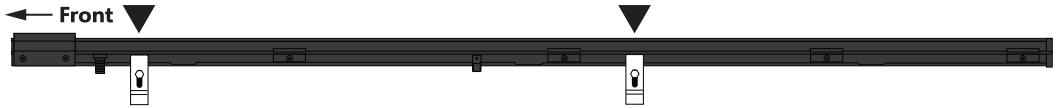


**⚠ ATTENTION:**  
MUST Push the side rails forward against the truck bed front panel

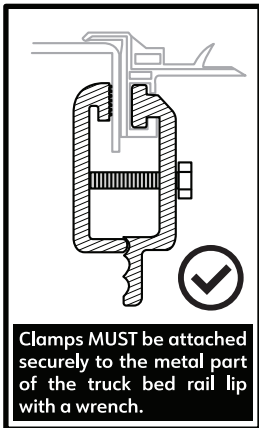


### 3 INSTALL THE RAIL CLAMPS F1 F2 + L

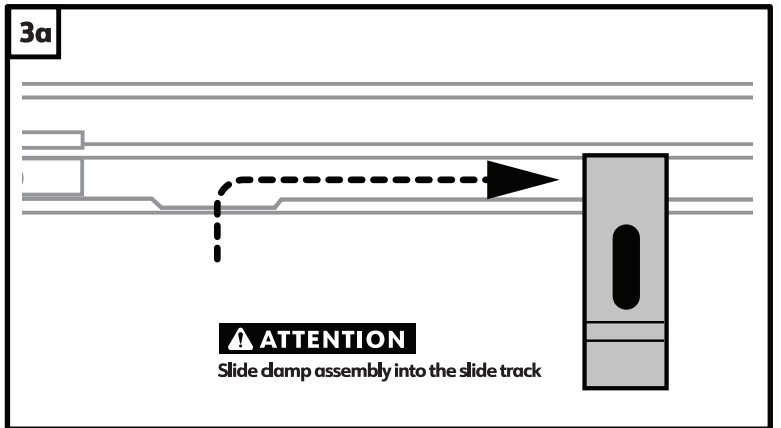
## FRONT & MIDDLE CLAMPS



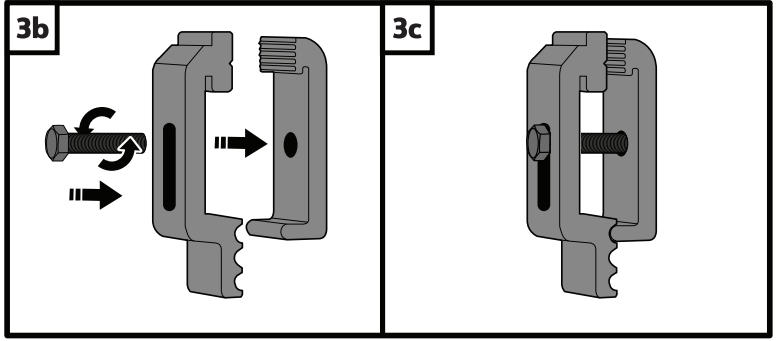
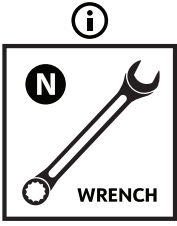
**⚠ ATTENTION** Install the damps as close to each end as possible



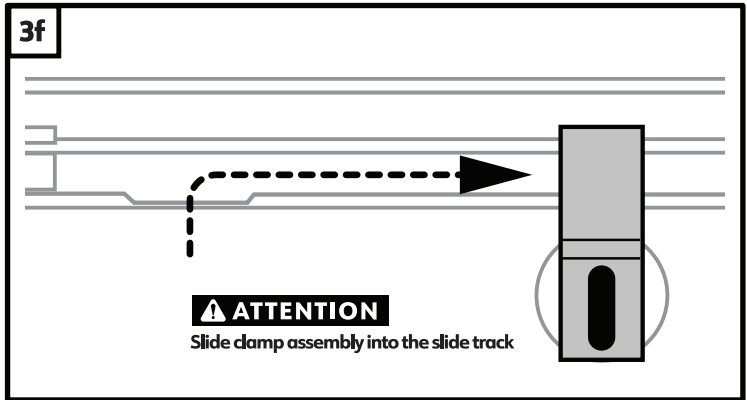
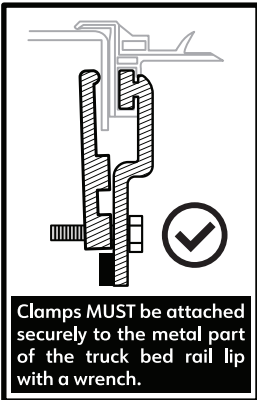
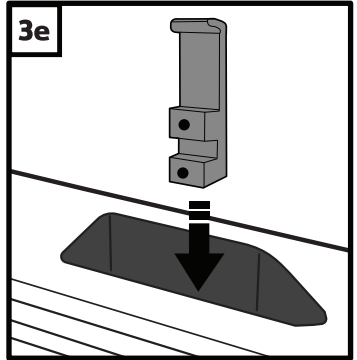
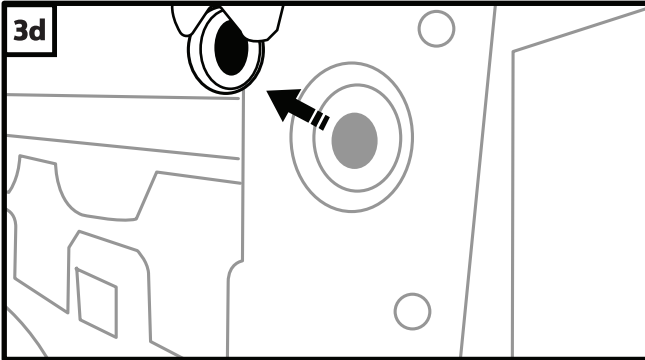
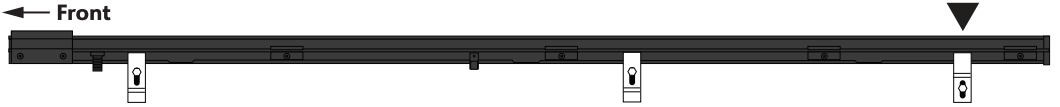
Clamps MUST be attached securely to the metal part of the truck bed rail lip with a wrench.

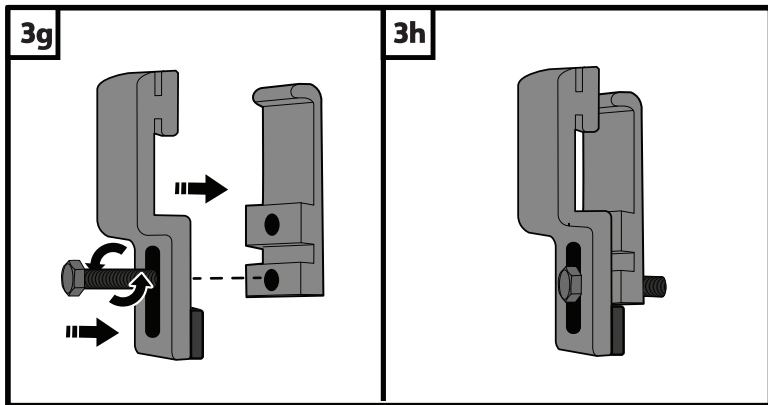
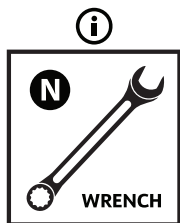


**⚠ ATTENTION**  
Slide damp assembly into the slide track



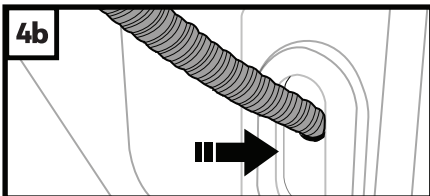
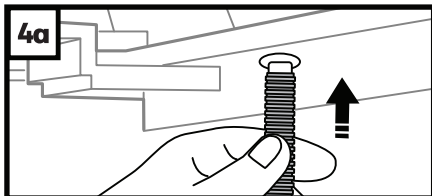
# REAR CLAMPS





## 4 INSTALL THE DRAIN PIPES

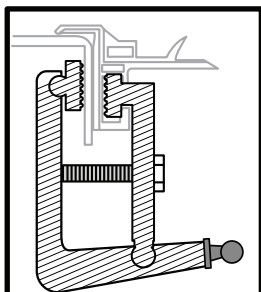
Trim the pipe as needed



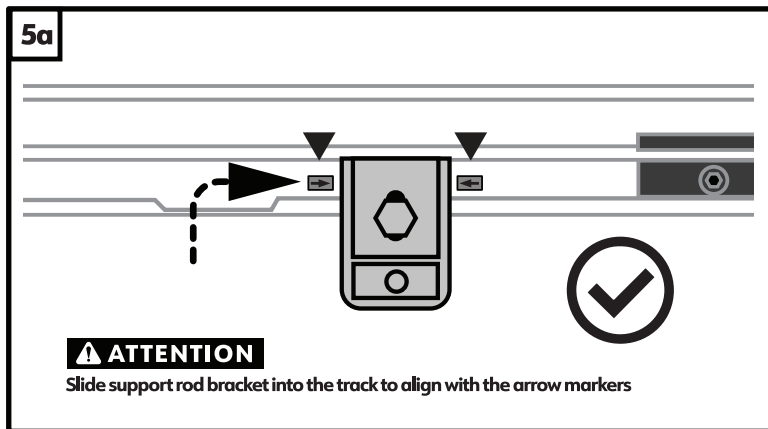
← Front



## 5 INSTALL THE SUPPORT RODS



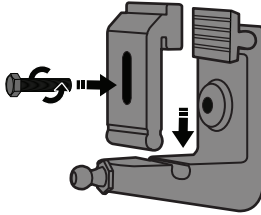
Brackets **MUST** be attached securely to the metal part of the truck bed rail lip with a wrench.



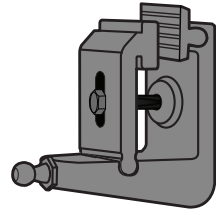
**i**



**5b**



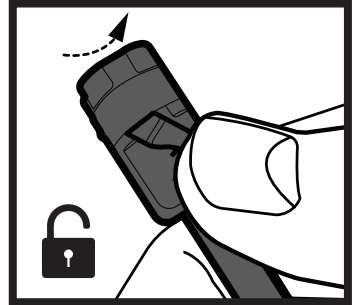
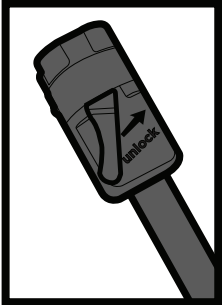
**5c**



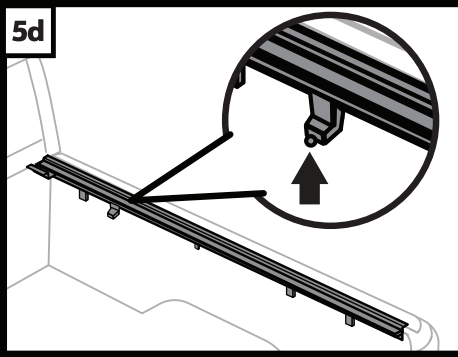
← Front



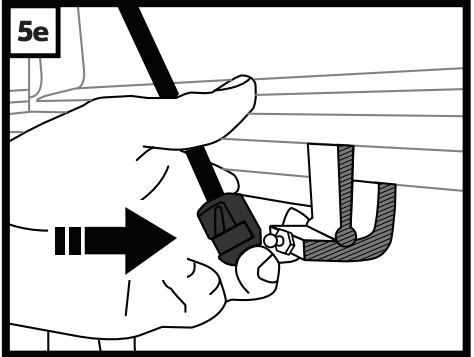
### How to **Lock** and **Unlock** the Supporting Rod



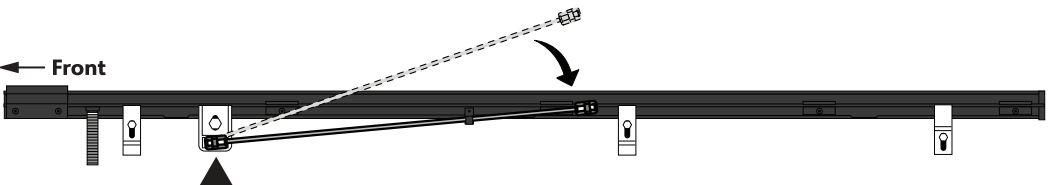
**5d**

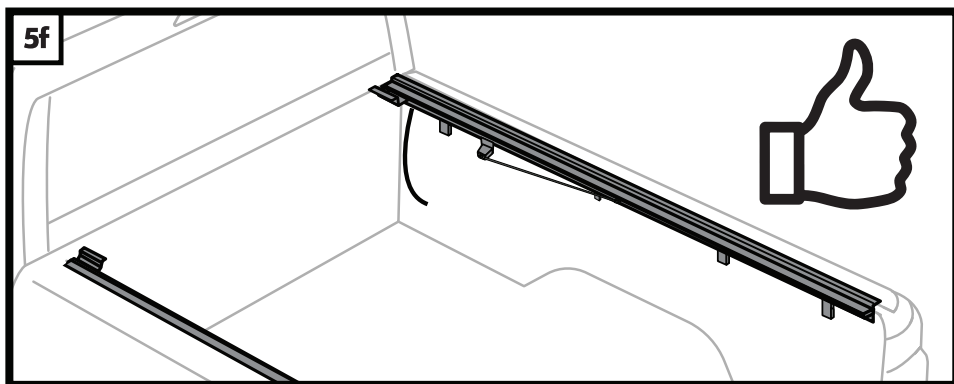


**5e**



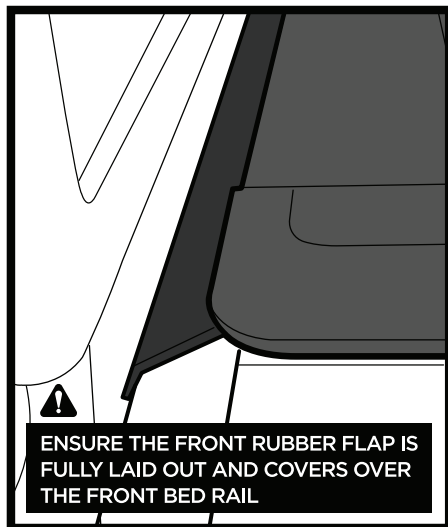
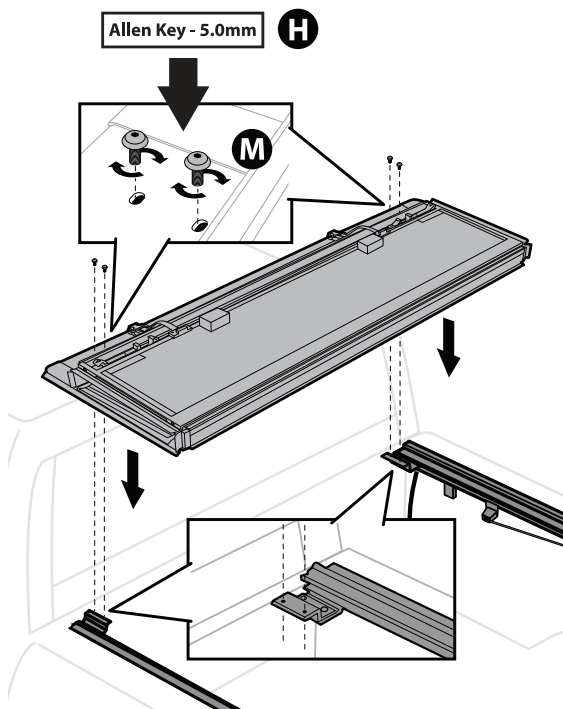
← Front





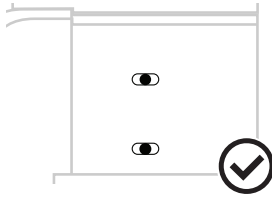
## Side Rails Installation Completed

### 6 PLACE THE TONNEAU COVER A

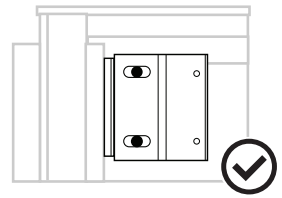


# HOLE ALIGNMENT

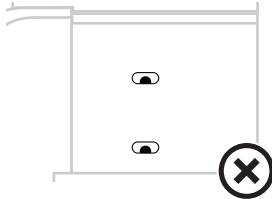
TOP VIEW



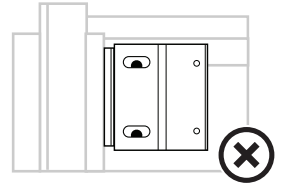
BOTTOM VIEW



TOP VIEW

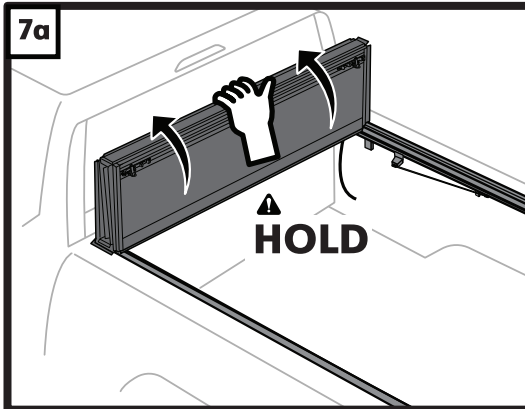


BOTTOM VIEW

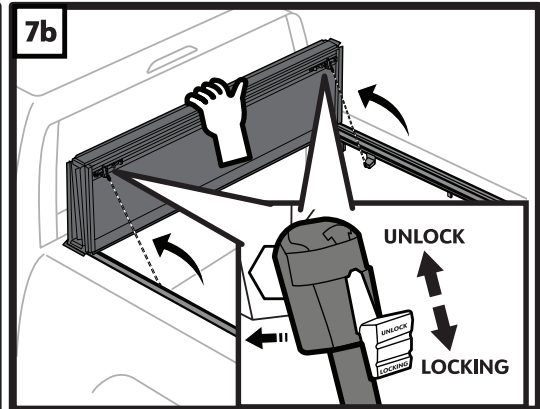


## 7 RAISING THE FOLDED COVER

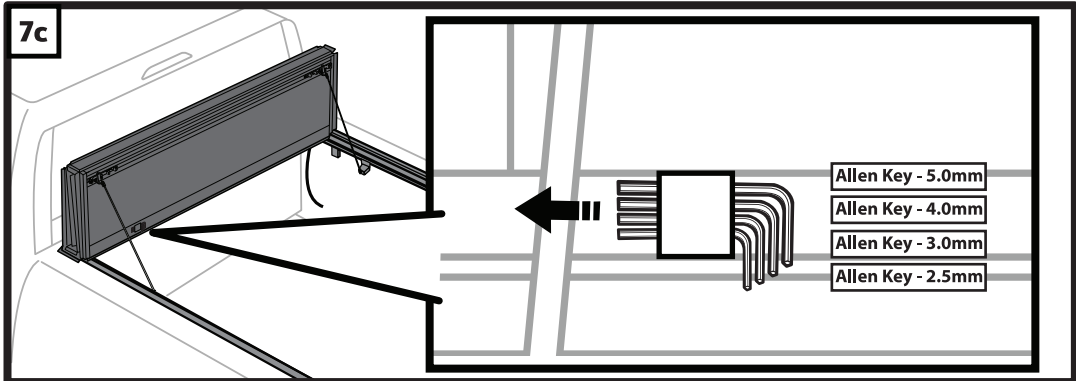
7a



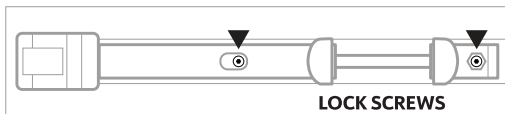
7b



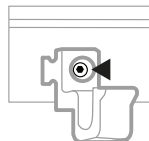
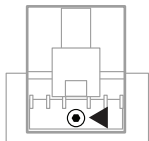
7c



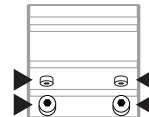
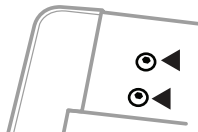
Allen Key - 2.5mm



Allen Key - 3.0mm



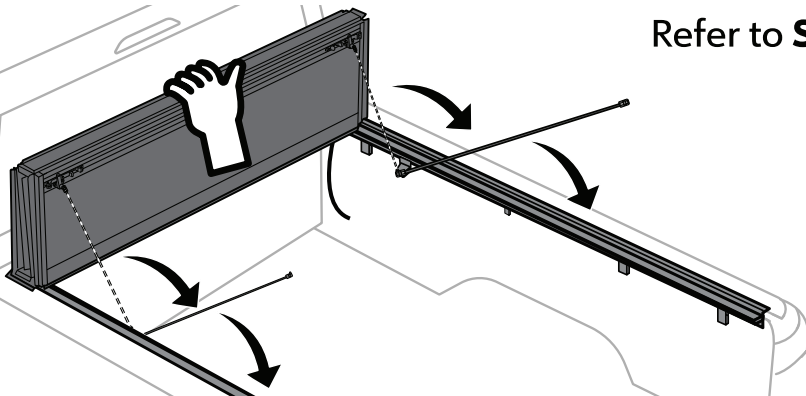
Allen Key - 5.0mm



## 8 UNFOLDING THE COVER

8a

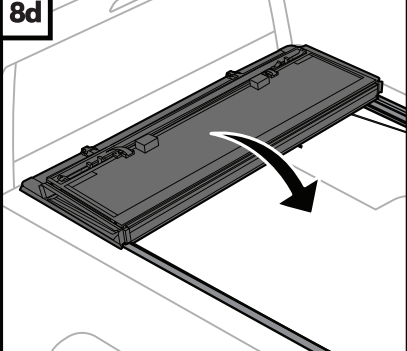
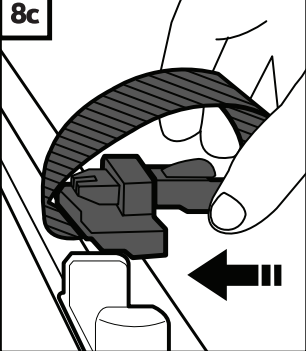
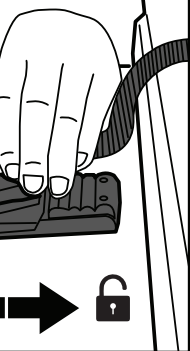
Refer to **STEP 7**



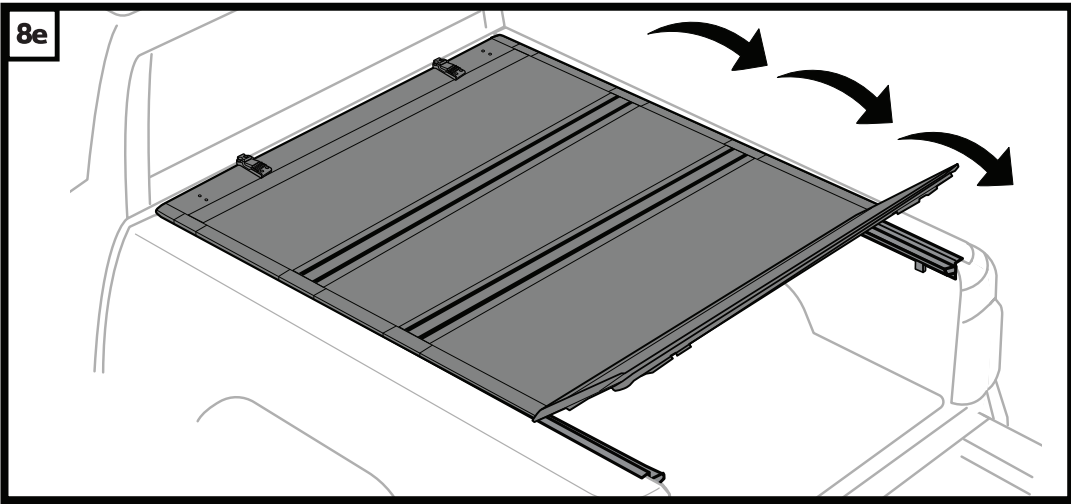
8b

8c

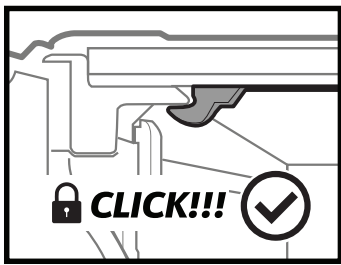
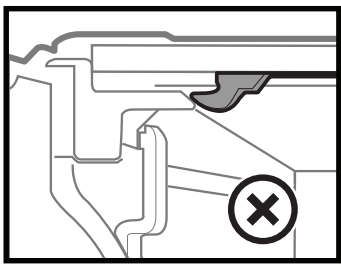
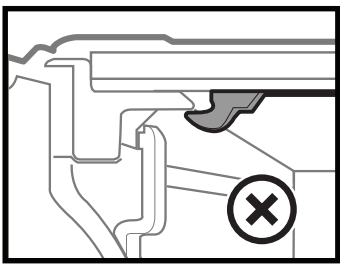
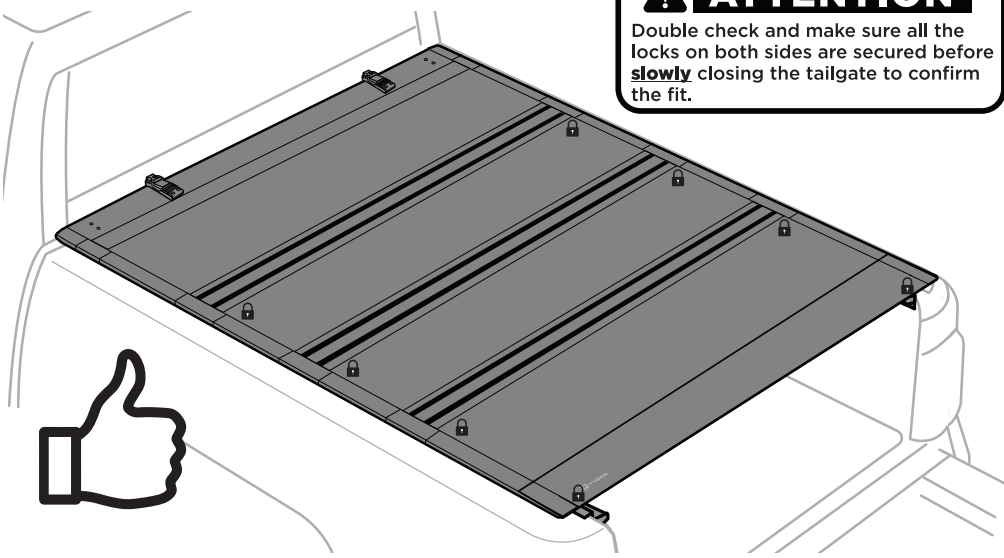
8d



8e

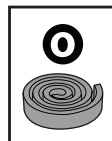
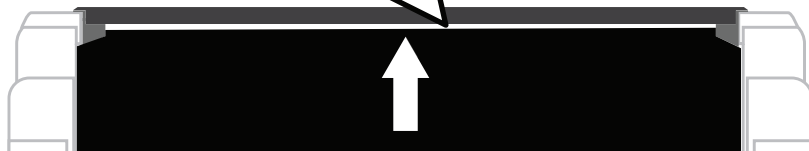


**⚠ ATTENTION**  
Double check and make sure all the locks on both sides are secured before **slowly** closing the tailgate to confirm the fit.



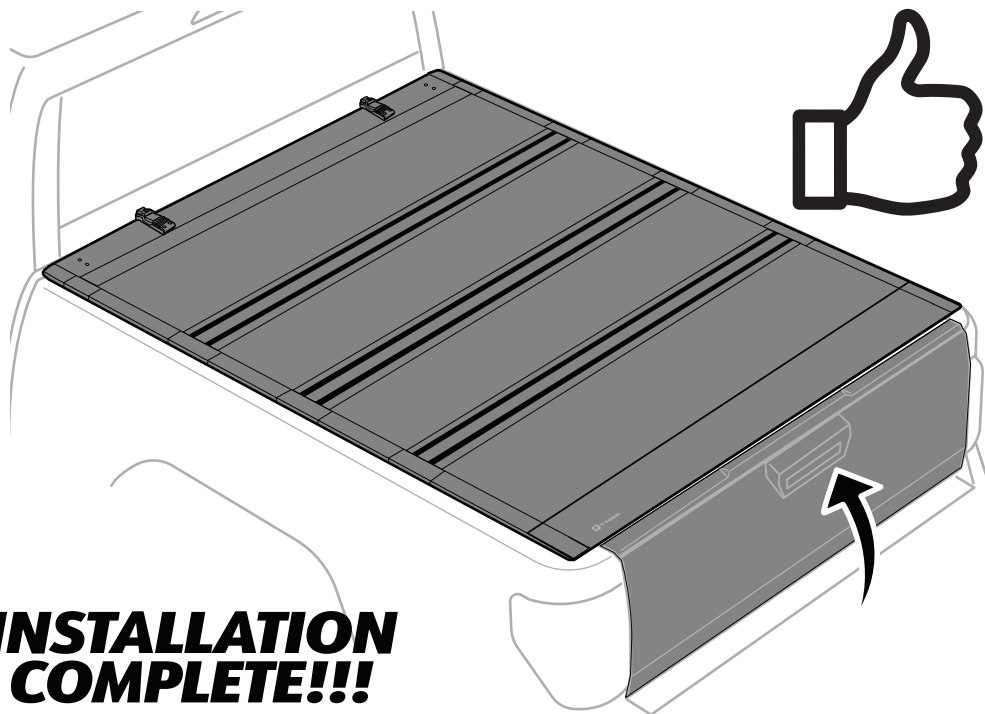
## **ATTENTION**

Open the tailgate and check for leaking daylight from any seams and gaps along each bed rail sides. Trim off pieces of Rubber Sealing Strip [O] to size then apply to fill those areas to mitigate water leaks.



## **Before you finish**

- ✓ 1) Confirm all the locks are properly engaged (Page 10)
- ✓ 2) Seal off any leaking light with foam strip and rubber strip (Pages 2 & 11)
- ✓ 3) Carefully close the tailgate to confirm the side rails are aligned (Pages 2-3)
- ✓ 4) Tighten all hardware



**INSTALLATION  
COMPLETE!!!**

# 9 UNLOCKING AND FOLDING THE COVER

