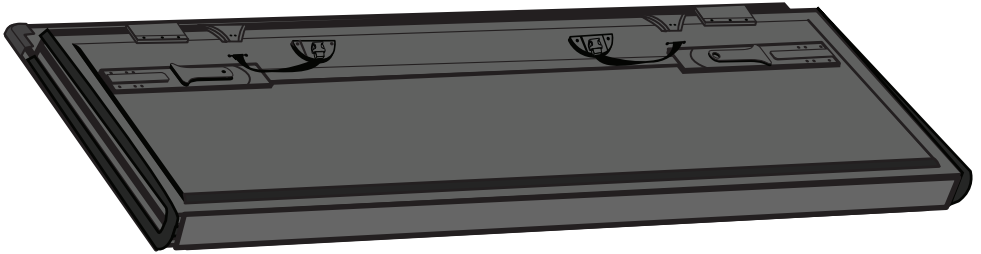


**TYGER®**  
**T9**

# FLIP-UP LOW-PROFILE HARD FOLDING TONNEAU COVER

for 2022-24 Frontier (Only for models with utility track)



**A**



**B**



**C**

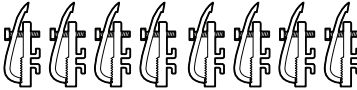
**D**



**E**



**F**



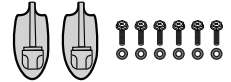
**G**



**H**



**I**



**J**



**TOOLS REQUIRED**  
(NOT INCLUDED)



Ratchet Wrench



Phillips Screwdriver

**ATTENTION**

Read instructions carefully before starting installation. Remove contents from box and verify all parts are present. Failure to identify damage before installation could lead to rejection of any claim.

**CONTACT US:**

1-866-340-3038

PHONE



LIVE CHAT

**A**

Bed Cover x1

**B**

D & P Side Rails x2

**C**

SP-BC9044  
Support Rods x2

**D**

SP-BC9020 (5cm x 5cm x 0.5cm)  
Foam Pads x2

SP-BC0003  
(170cm x 2.5cm x 1cm)

SP-BC0004  
(170cm x 3.5cm x 0.4cm)

**E**

Front Sealing Strip

SP-BC0005  
(200cm x 3.0cm x 0.6cm)  
Universal Sealing Strip

**F**

SP-BC9043  
Mounting Clamp for Frontier  
with Utility Track x8

# PARTS LIST

**G**

SP-BC9027  
Front L-Clamps x2

**H**

SP-BC9018  
L-Clamp Hardware Kits x2

**I**

SP-BC9016  
Fin Slider Sets x2

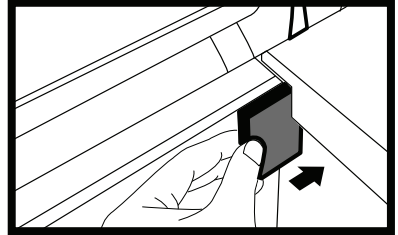
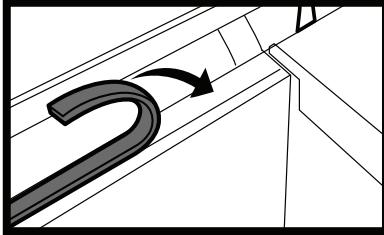
**J**

SP-BC0006  
L-Shaped Tool 2.5mm

**NOTE: PASSENGER/RIGHT SIDE INSTALLATION PICTURED FOR THE FOLLOWING STEPS**

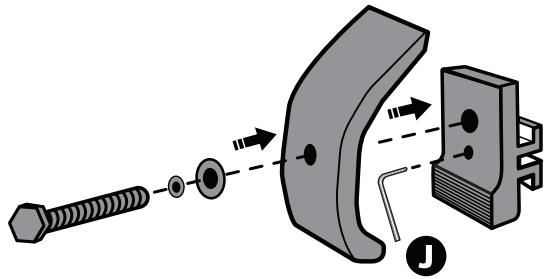
# 1 APPLY SEALING STRIP & FOAMS **(i)** **(D)** **(E)**

Peel off the release liner in the back before applying the front sealing strip & foams

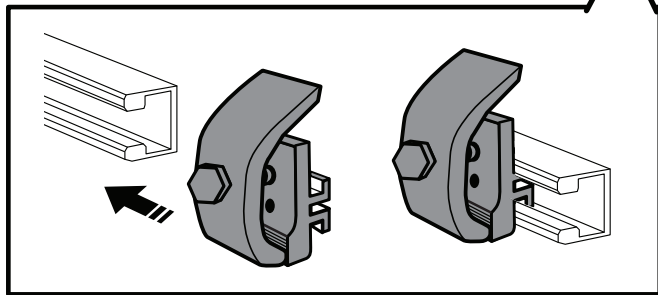


# 2 INSTALL UTILITY TRACK CLAMPS **(F)**

**NOTES**  
The front and rear clamps should be installed as close to each end of the track as possible to minimize tension to the rail.



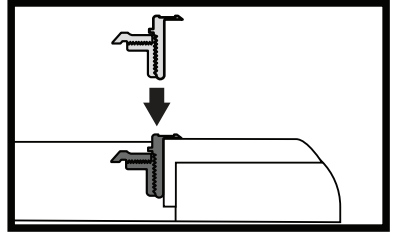
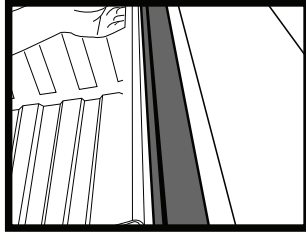
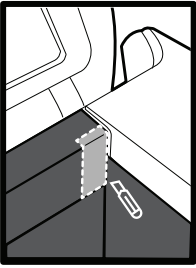
**DO NOT**  
tighten at this time



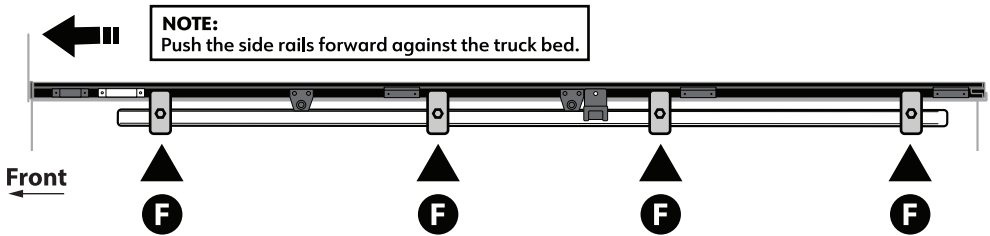
**x3**

### 3 INSTALL THE SIDE RAIL **B**

#### ⚠ ATTENTION



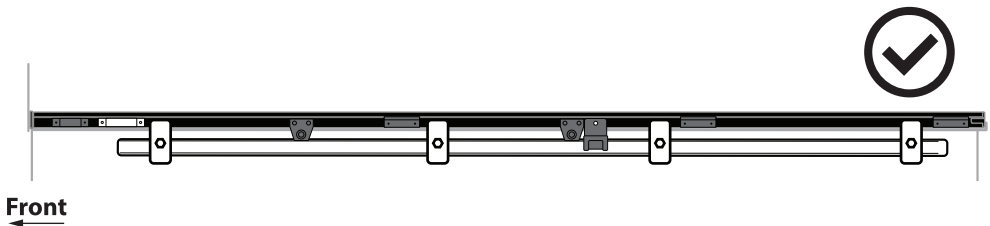
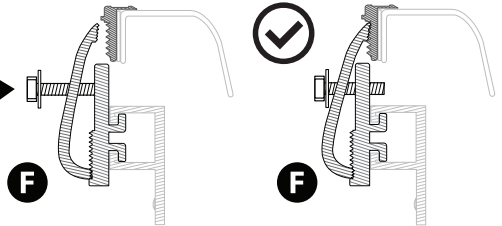
**Vehicles with drop-in bedliners:** Cut-out notch may be needed so side rails can reach the front bed panel.



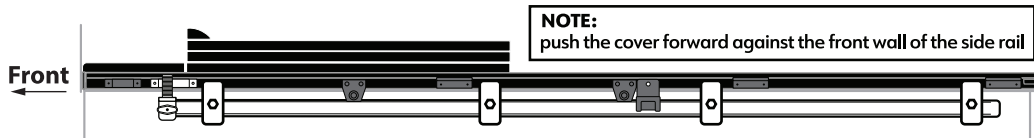
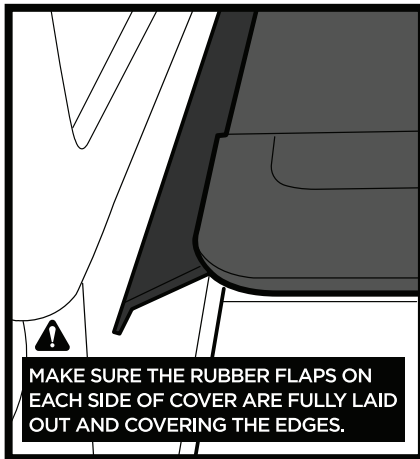
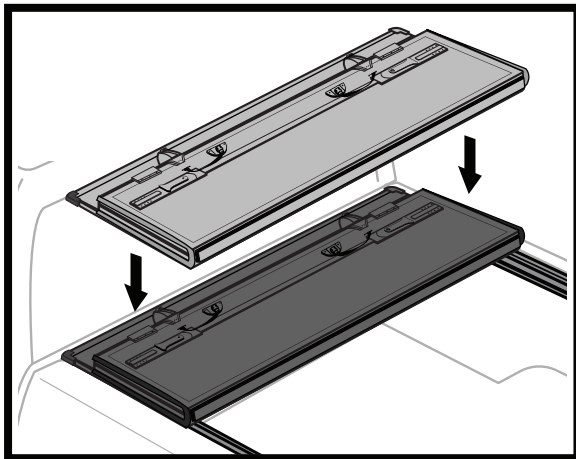
#### ATTENTION



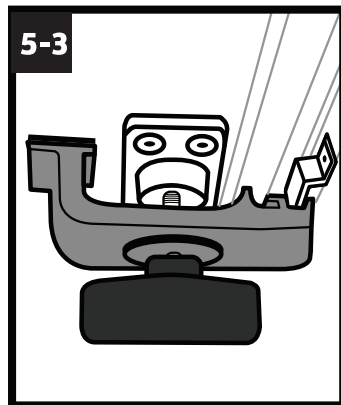
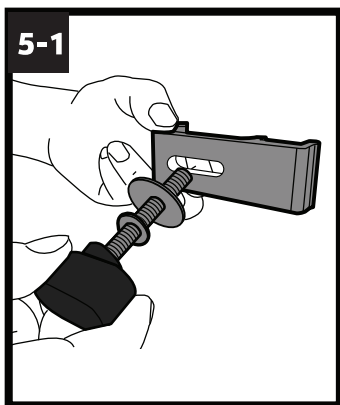
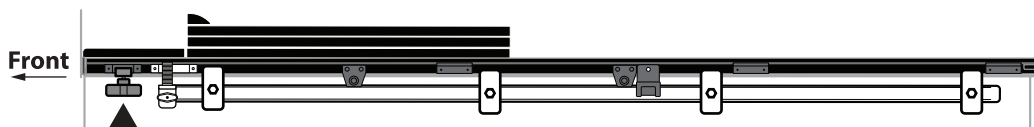
Clamps **MUST** be attached securely to the side rail against the utility track bracket with a wrench.



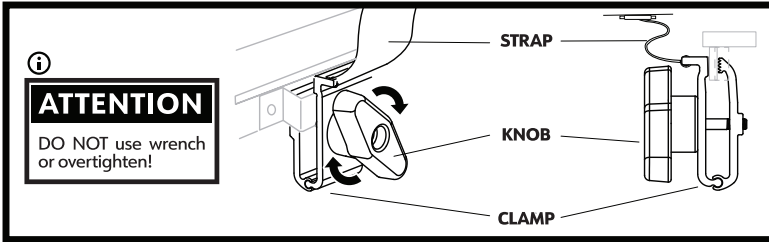
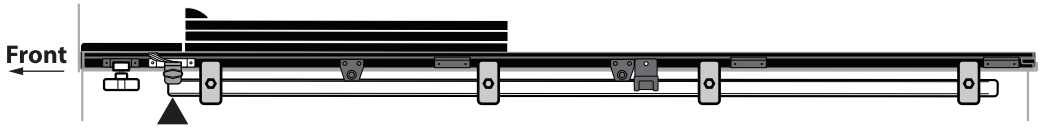
## 4 PLACE THE TONNEAU COVER **A**



## 5 INSTALL FRONT L-CLAMPS **G** **H**

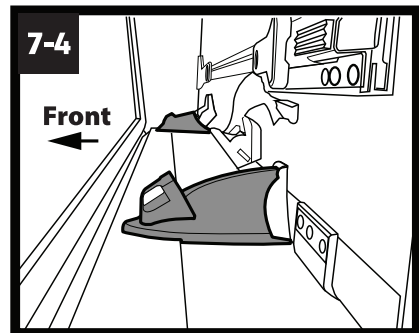
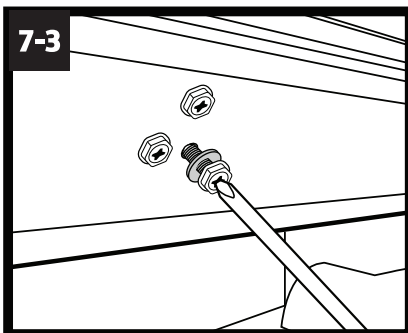
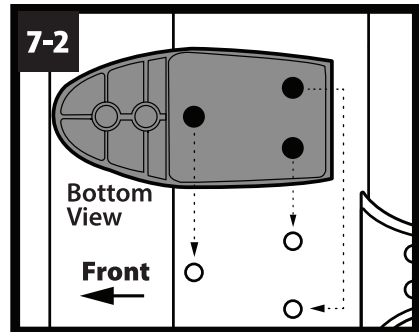
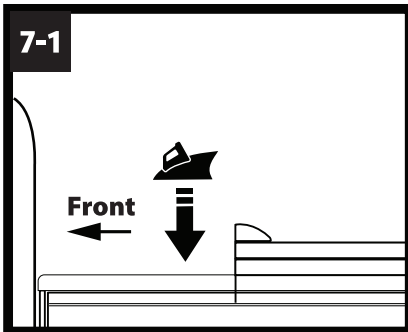


## 6 ATTACH SAFETY CLAMPS



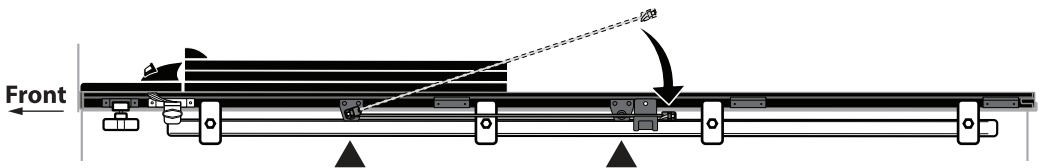
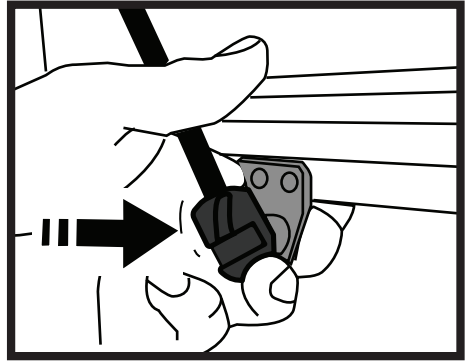
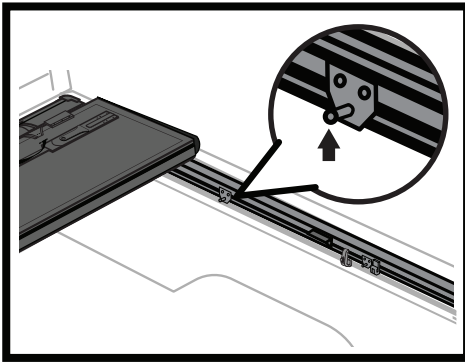
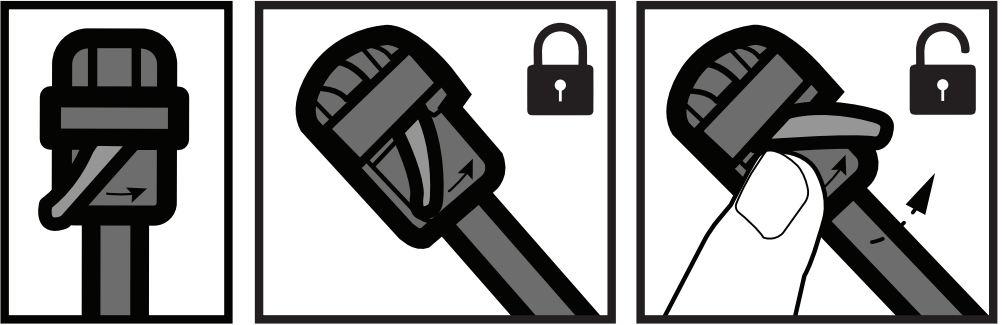
## 7 INSTALL FIN SLIDERS

For trucks equipped with truck rack hoops, please refer to **Page 15**



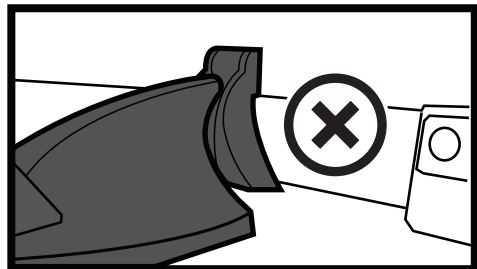
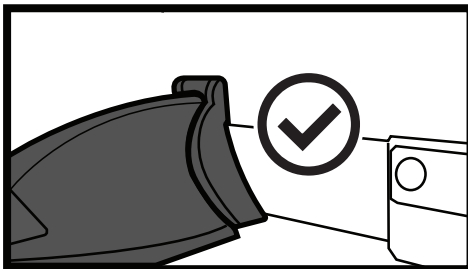
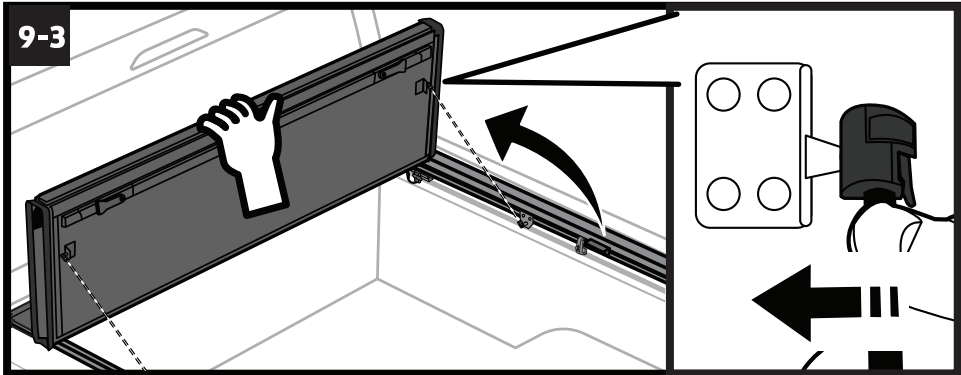
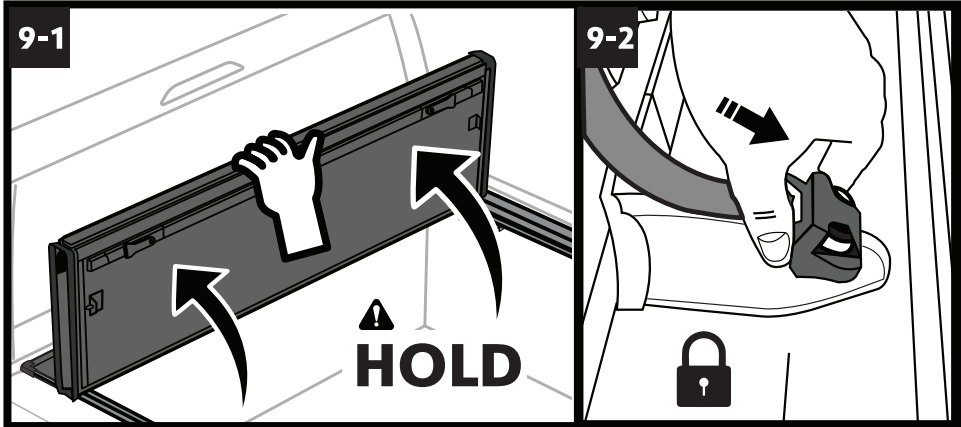
# 8 INSTALL SUPPORT RODS TO SIDE RAILS

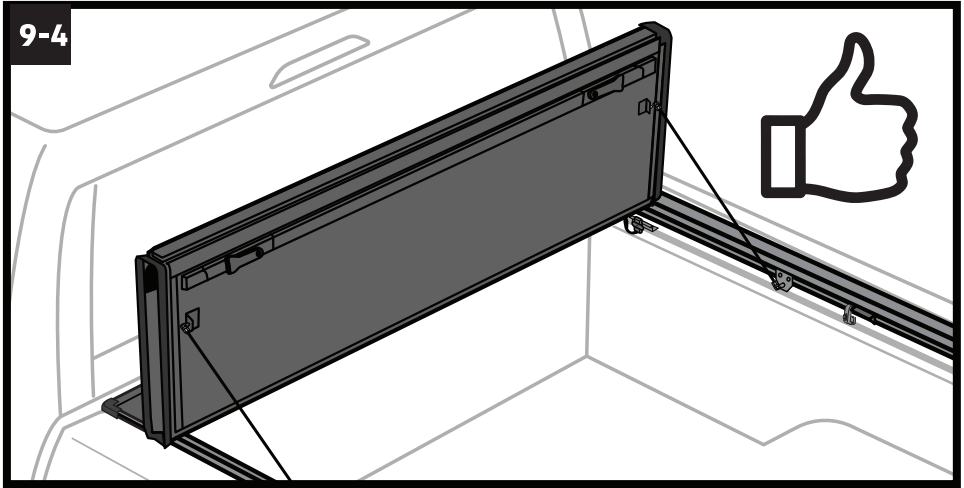
How to **Lock** and **Unlock** the Supporting Rod **C**



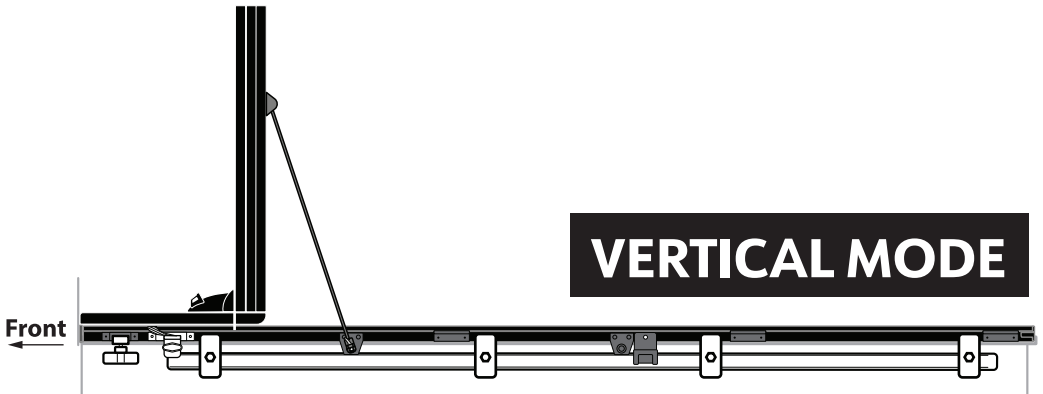
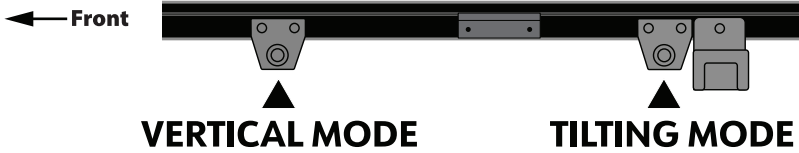
## 9 FLIP-UP THE FOLDED COVER

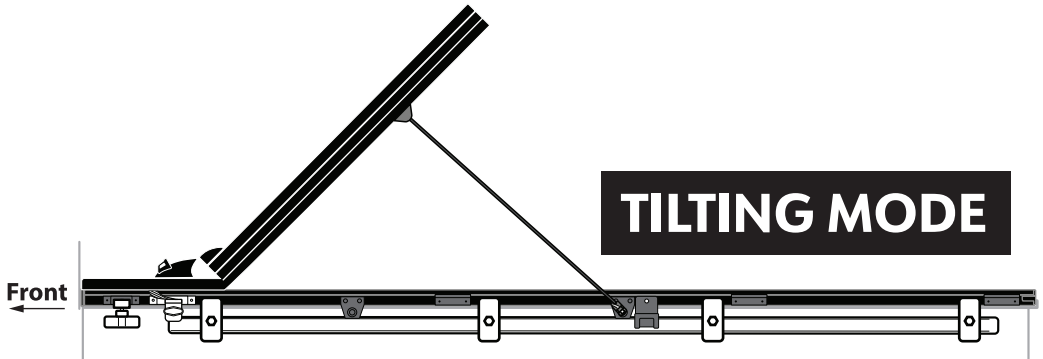
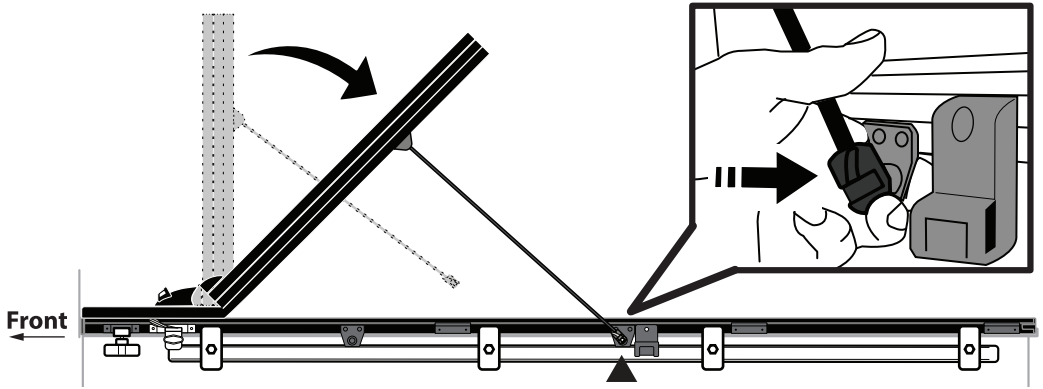
Maximize space by **raising** folded cover and **uphold** with Support Rod



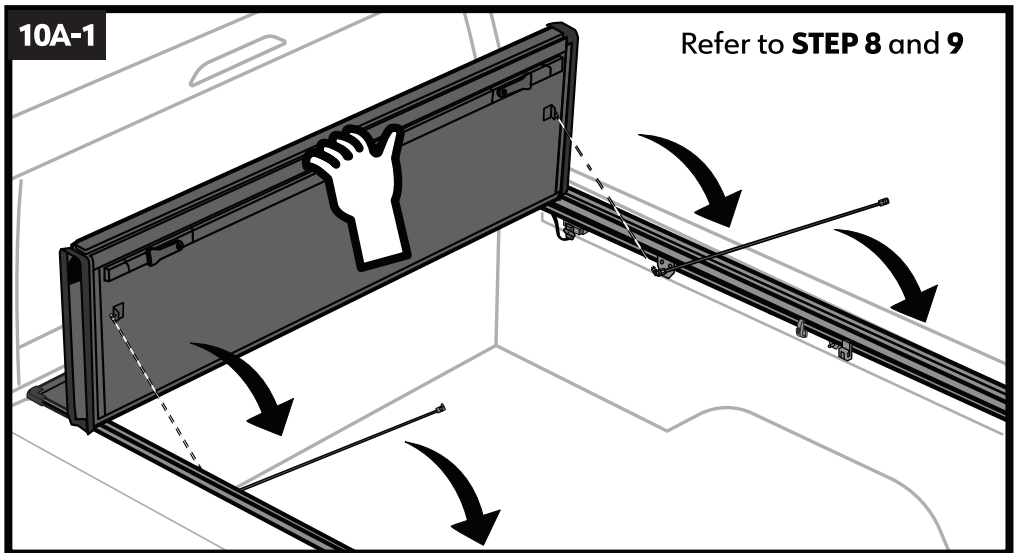


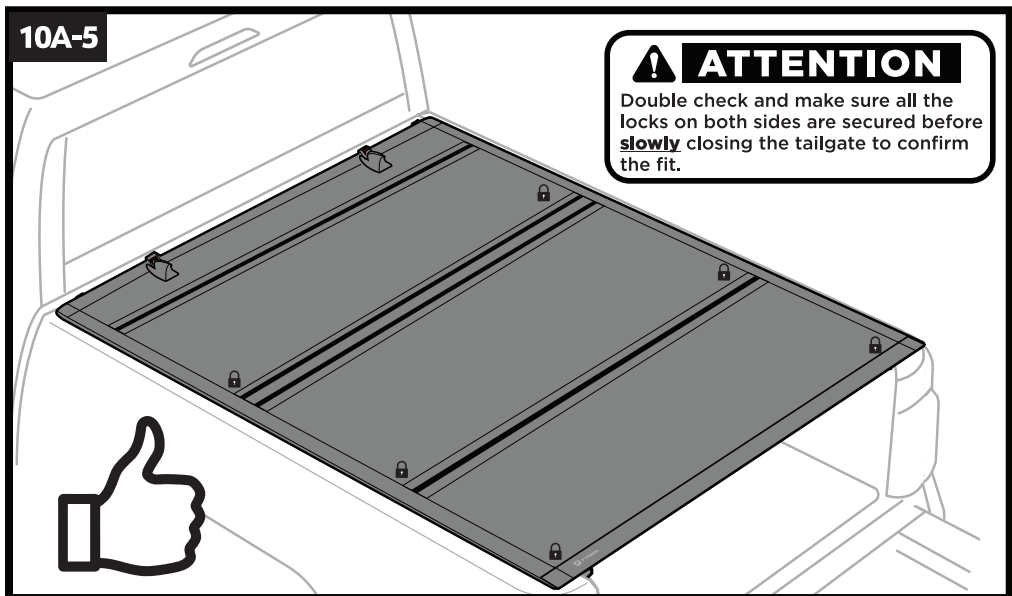
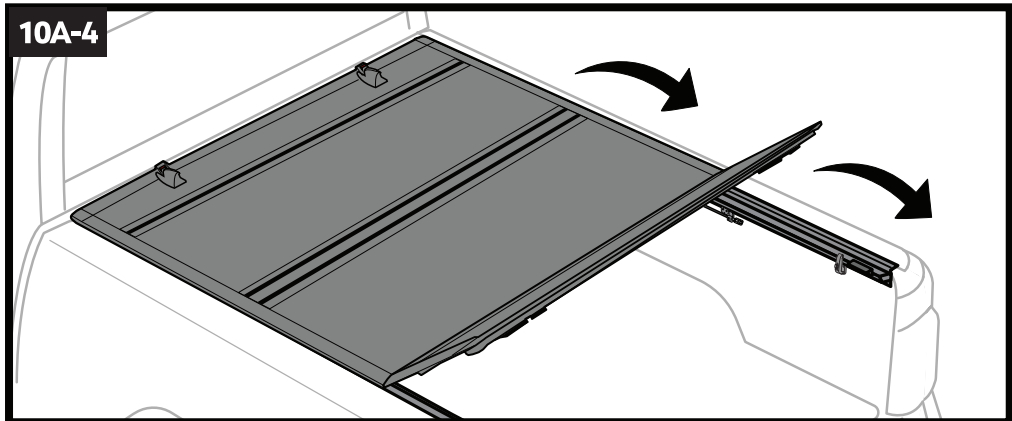
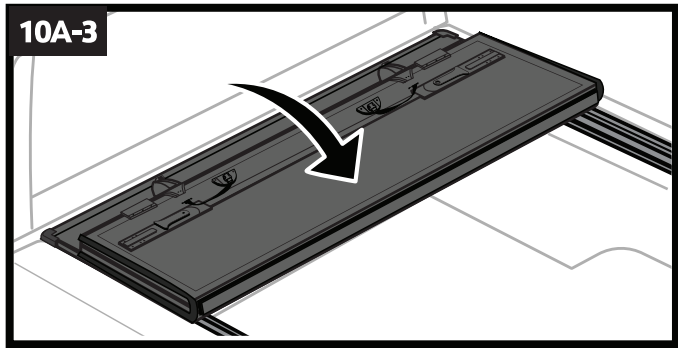
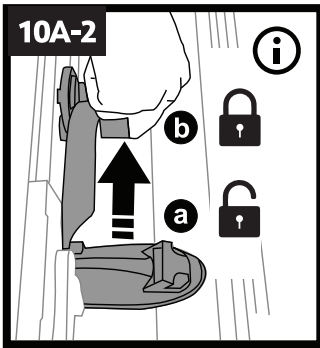
## TWO FLIP-UP CONFIGURATIONS

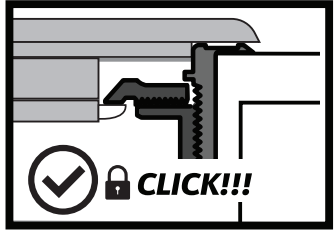
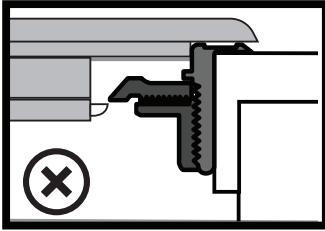
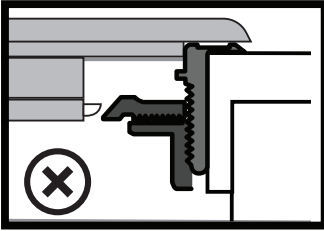




## 10 FOLDING AND LOCKING COVER

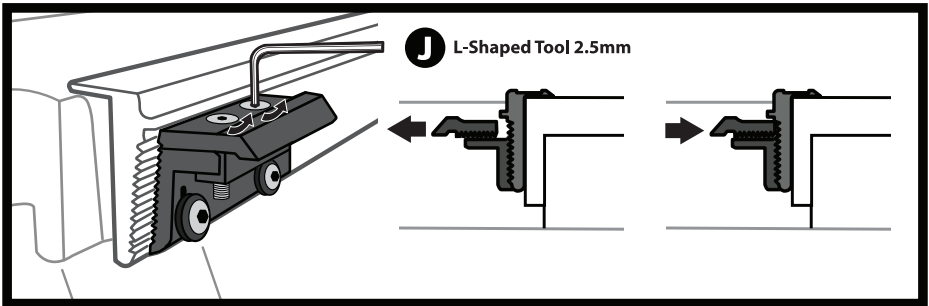
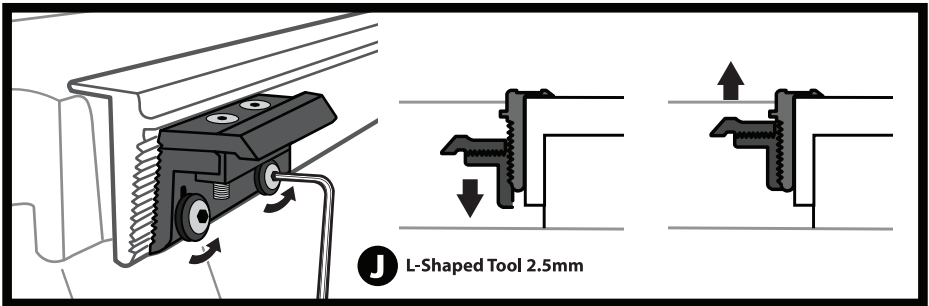
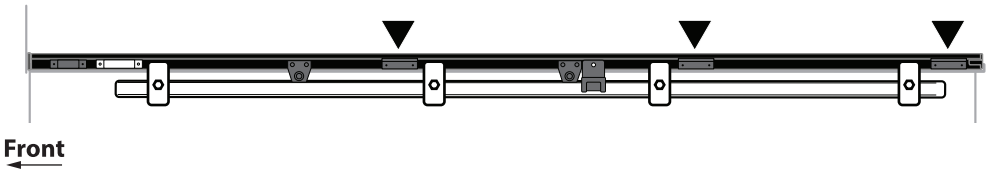






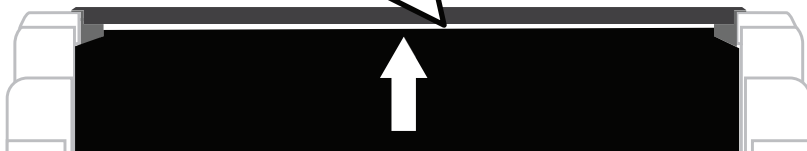
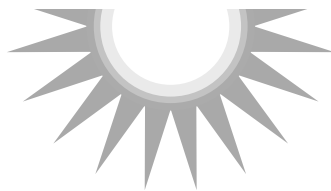
Poor latch? Refer **10B** for strike plate adjustment

## 10B STRIKE PLATE BRACKET ADJUSTMENT



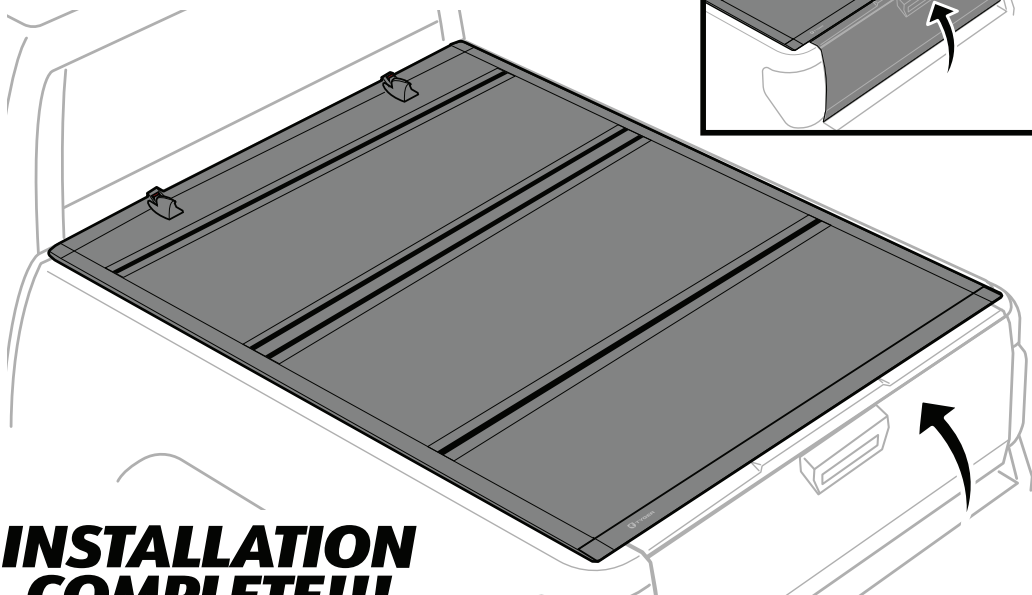
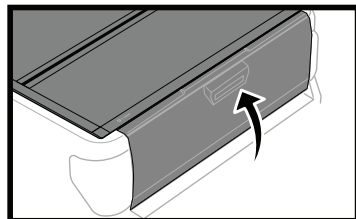
**⚠ ATTENTION**

Upon completing installation, open the tailgate and examine the seams from the inside to detect any leaking daylight. Apply additional universal sealing foam strips in those areas to mitigate potential water leak.



**Before you finish**

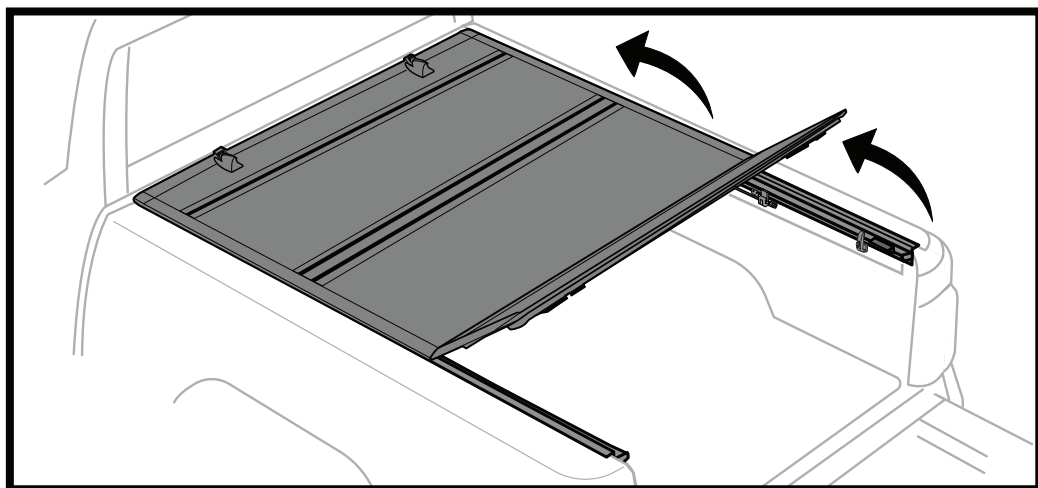
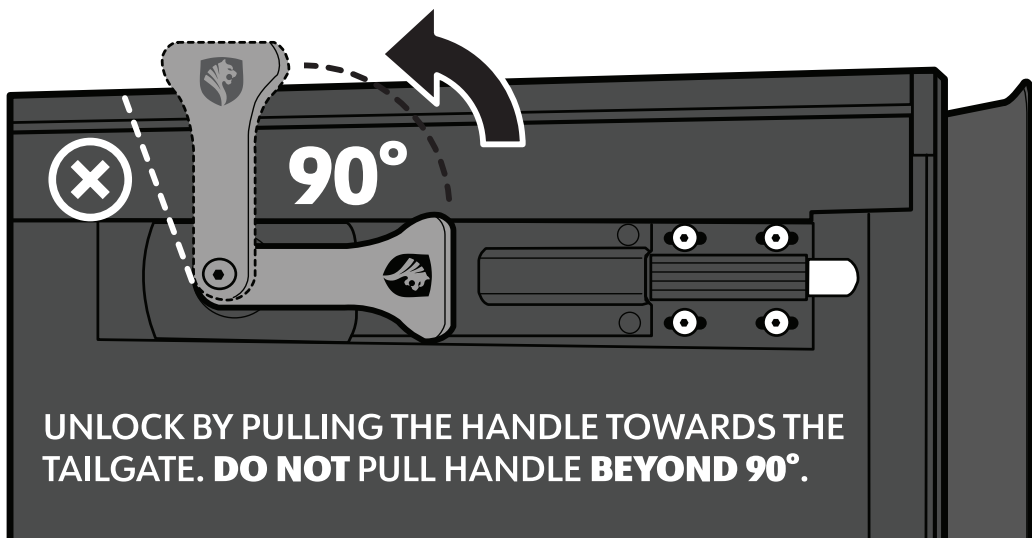
- ✓ 1) Confirm all the locks are properly engaged. Adjust strike plate if needed (Page 10)
- ✓ 2) Seal off any leaking light with foam strip and rubber strip (Pages 2 & 12)
- ✓ 3) Carefully close the tailgate to confirm the side rails are aligned (Page 2)
- ✓ 4) Tighten all hardware

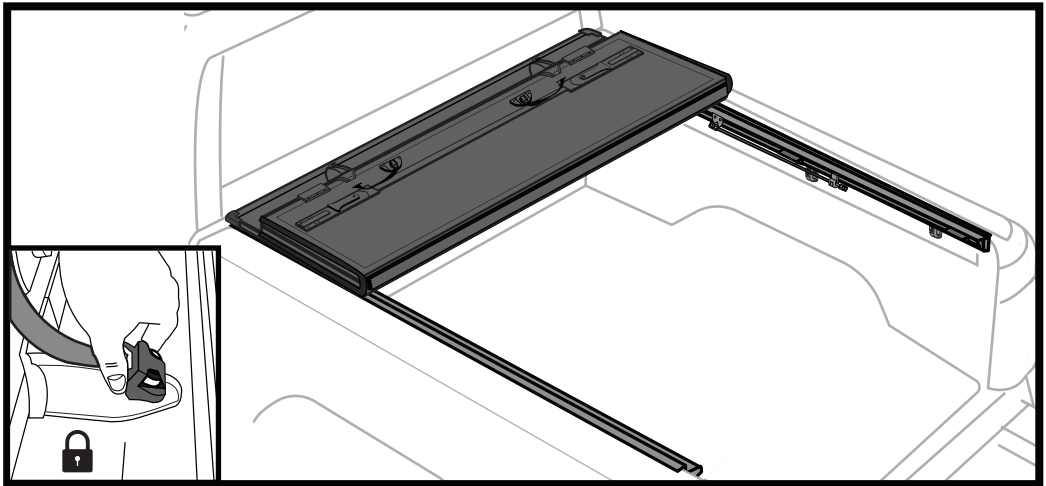


**INSTALLATION  
COMPLETE!!!**

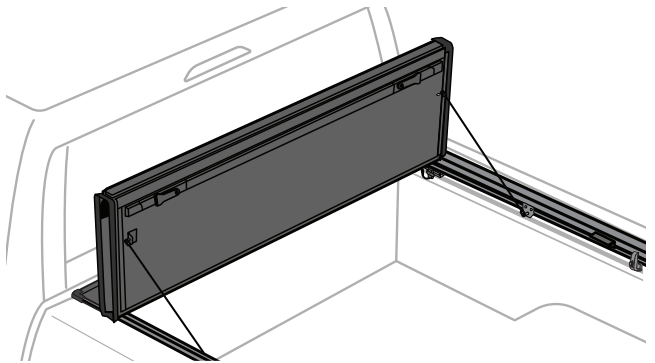
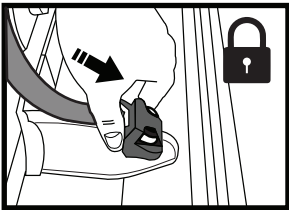
# 11 UNFOLDING THE BED COVER

## 90° THE LATCH SYSTEM





Refer to **STEP 9** on how-to  
flip up the tonneau cover  
using the Support Rods.



# 12 COMPATIBLE WITH MOST HEADACHE RACKS

