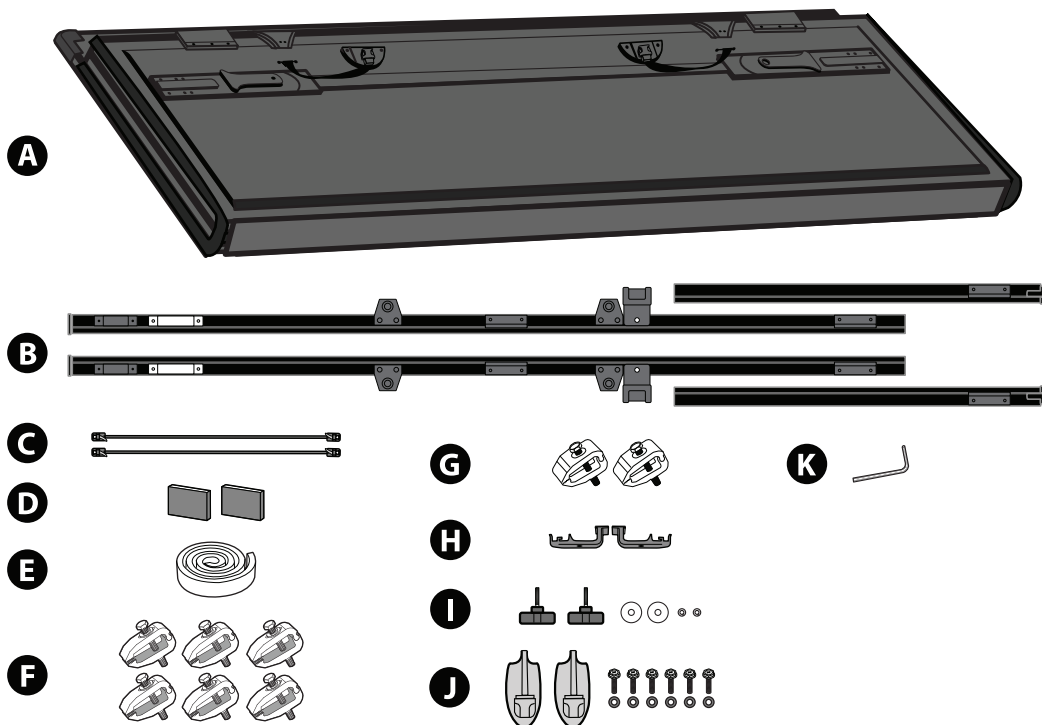


**TYGER®**  
**T9**

**FLIP-UP LOW-PROFILE  
HARD FOLDING  
TONNEAU COVER** for **LONG BEDS**



**TOOLS REQUIRED**  
(NOT INCLUDED)

Ratchet Wrench      Phillips Screwdriver

**⚠ ATTENTION ⚠**

Read instructions carefully before starting installation. Remove contents from box and verify all parts are present. Failure to identify damage before installation could lead to rejection of any claim.

**CONTACT US:**

**1-866-340-3038**

**PHONE**

**LIVE CHAT**

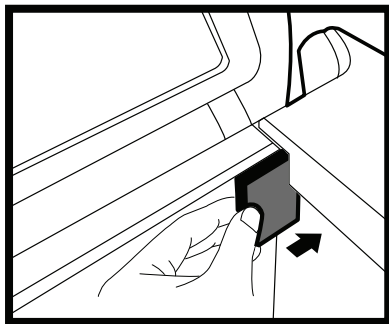
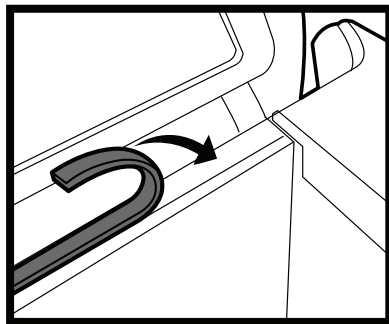
**PARTS LIST**

- A** Bed Cover x1
- B** D & P Side Rails (with Front and Rear Sections) x2
- C** SP-BC9044 Support Rods x2
- D** SP-BC9020 (5cm x 5cm x 0.5cm) Foam Pads x2
  - SP-BC0003 (170cm x 2.5cm x 1cm)
  - SP-BC0004 (170cm x 3.5cm x 0.4cm)
- E** Front Sealing Strip
  - SP-BC0005 (200cm x 3.0cm x 0.6cm)
  - Universal Sealing Strip
- F** SP-BC2004B Rail Clamps x6
- G** SP-BC9041 Rail Clamps - Wide x2
- H** SP-BC9027 Front L-Clamps x2
- I** SP-BC9018 L-Clamp Hardware Kits x2
- J** SP-BC9016 Fin Slider Sets x2
- K** SP-BC0006 L-Shaped Tool 2.5mm

**NOTE: PASSENGER/RIGHT SIDE INSTALLATION PICTURED FOR THE FOLLOWING STEPS**

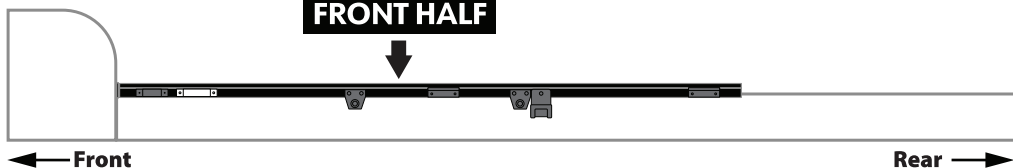
# 1 APPLY SEALING STRIP & FOAMS **i D E**

Peel off the release liner in the back before applying the front sealing strip & foams

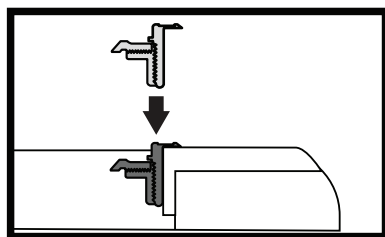
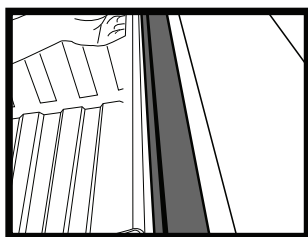
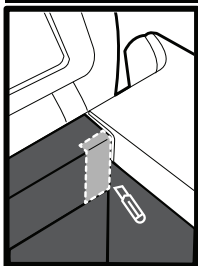


# 2 INSTALL FRONT HALF OF THE SIDE RAIL **B**

**FRONT HALF**



**⚠ ATTENTION**



**Vehicles with drop-in bedliners:** Cut-out notch may be needed so side rails can reach the front bed panel.

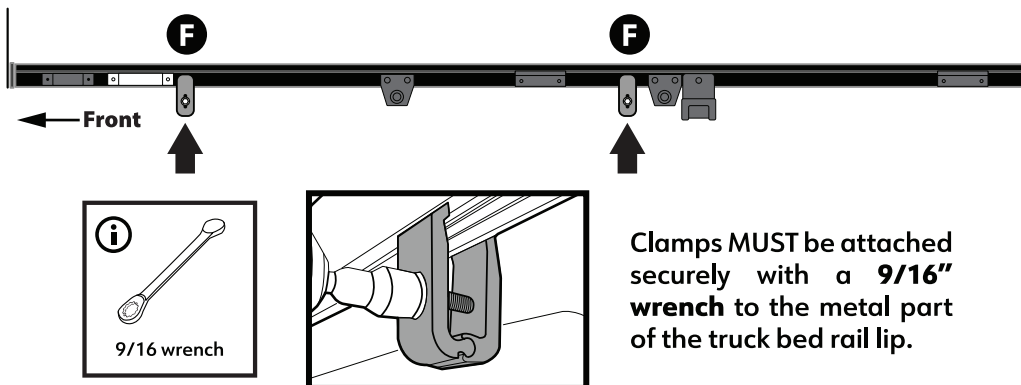


**NOTE:**

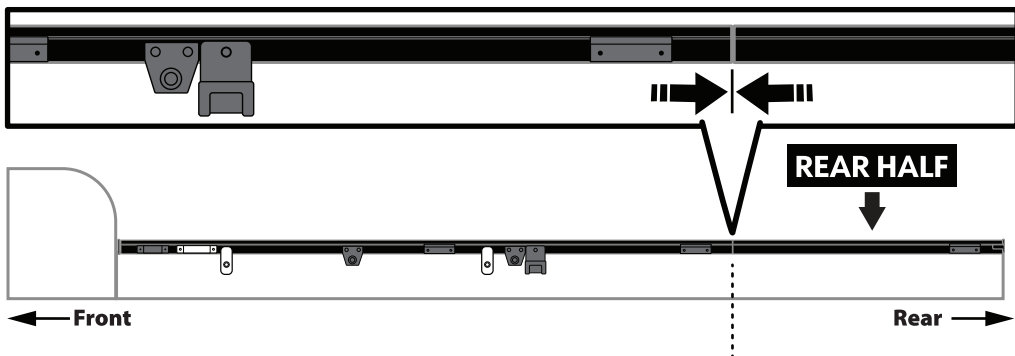
Push the side rails forward against the truck bed.



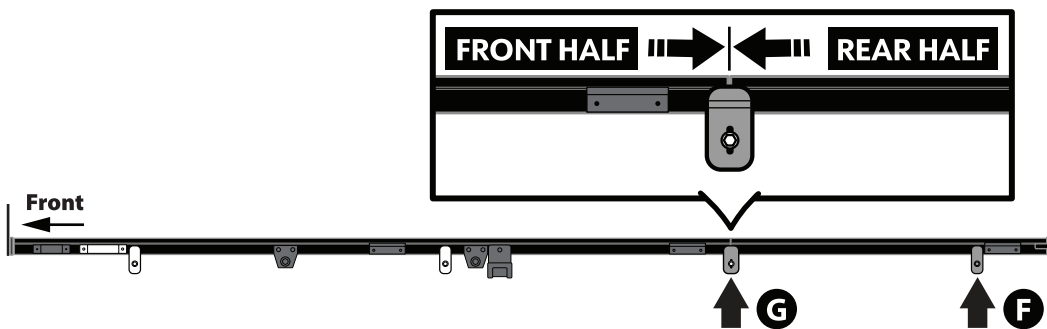
### 3 INSTALL FRONT RAIL CLAMPS ⓘ F



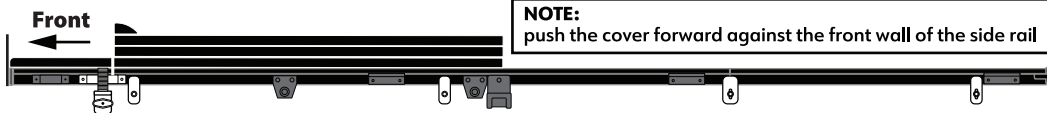
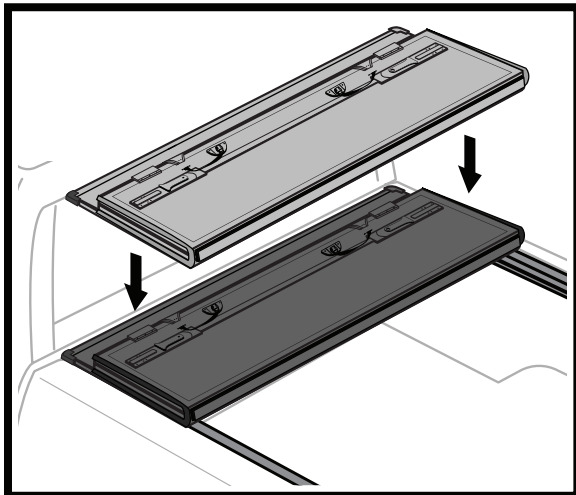
### 4 INSTALL REAR HALF OF THE SIDE RAIL B



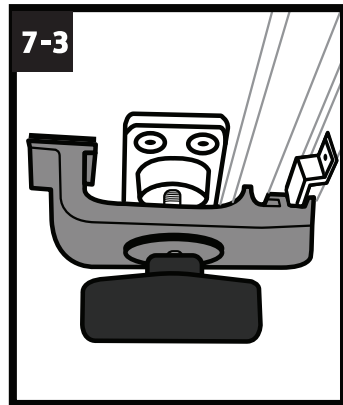
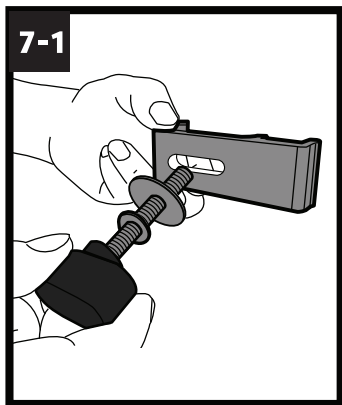
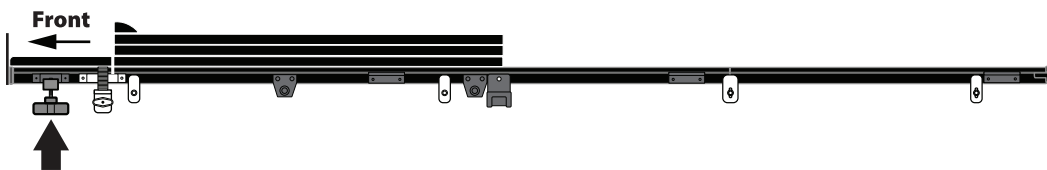
### 5 INSTALL REAR RAIL CLAMPS F G



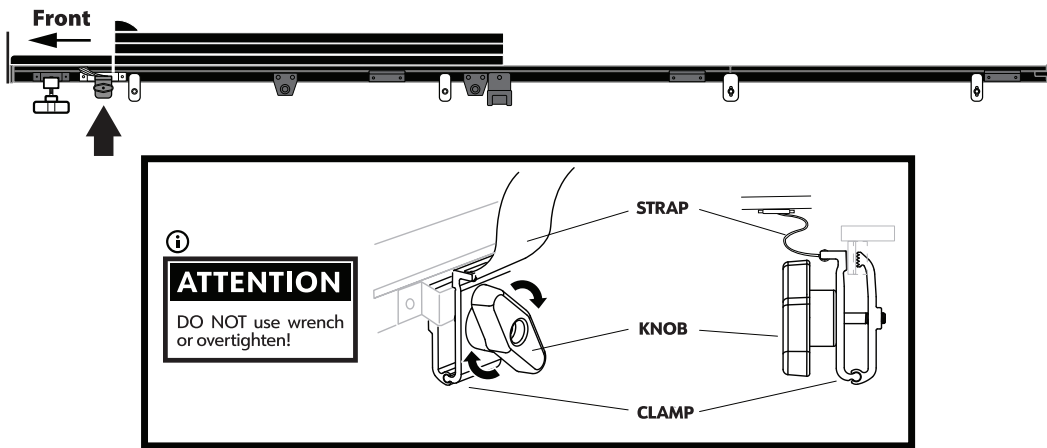
## 6 PLACE THE TONNEAU COVER **A**



## 7 INSTALL FRONT L-CLAMPS **H I**

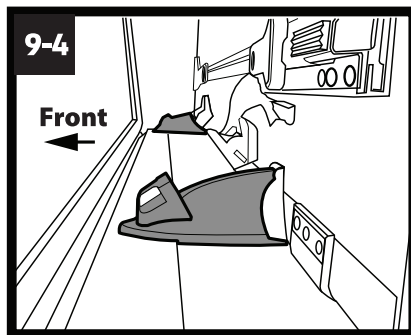
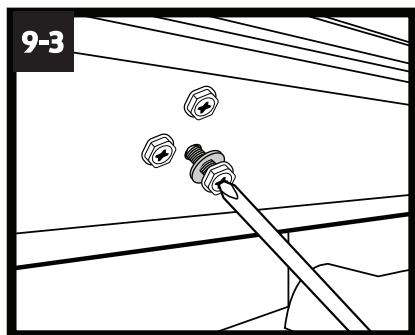
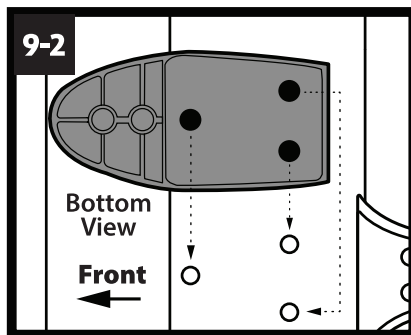
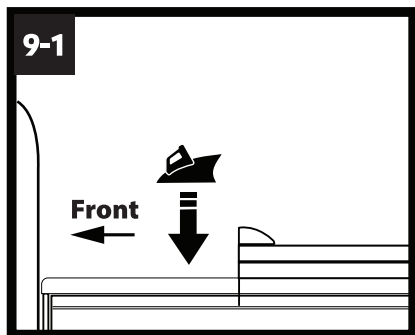


## 8 ATTACH SAFETY CLAMPS



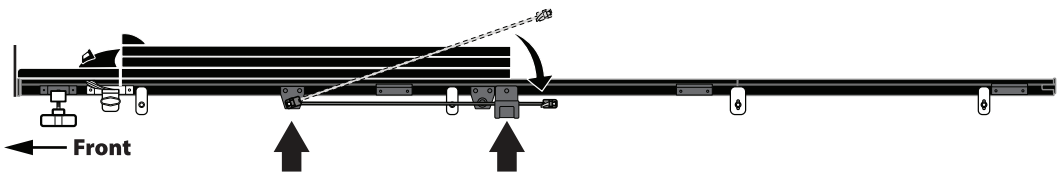
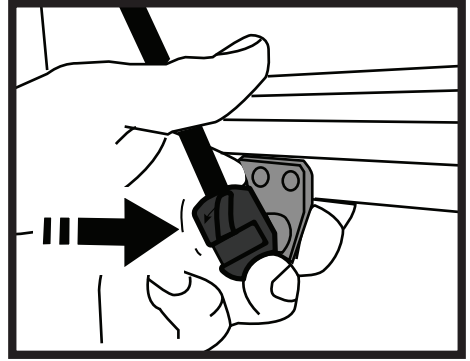
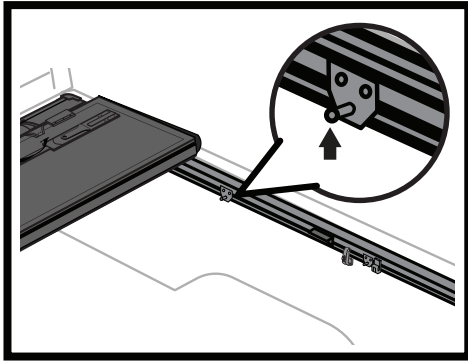
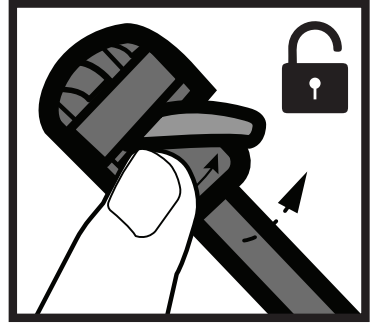
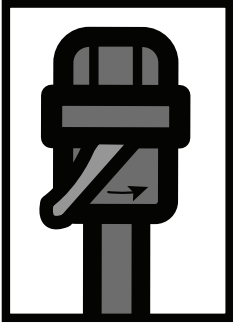
## 9 INSTALL FIN SLIDERS

For trucks equipped with truck rack hoops, please refer to [Page 15](#).



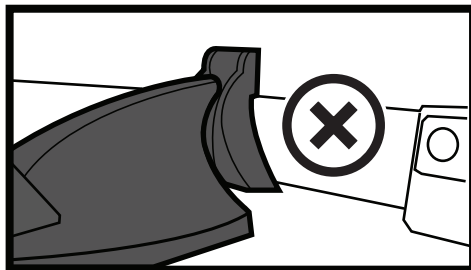
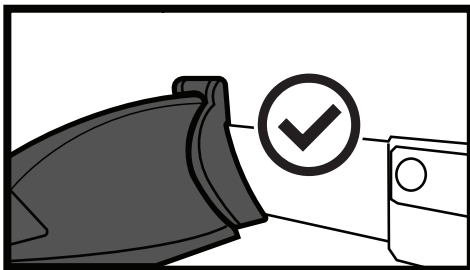
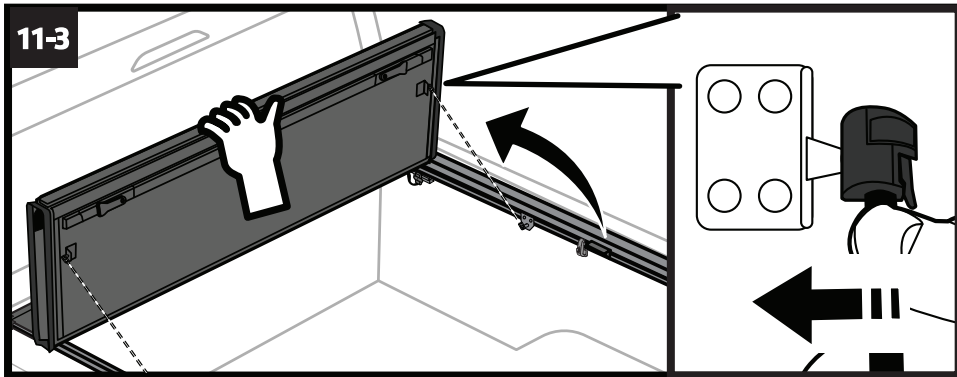
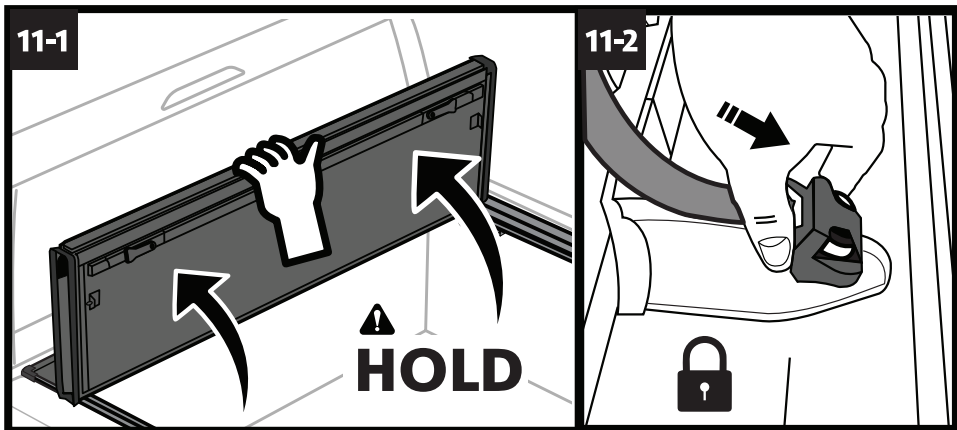
# 10 INSTALL SUPPORT RODS TO SIDE RAILS

How to **Lock** and **Unlock** the Supporting Rod 

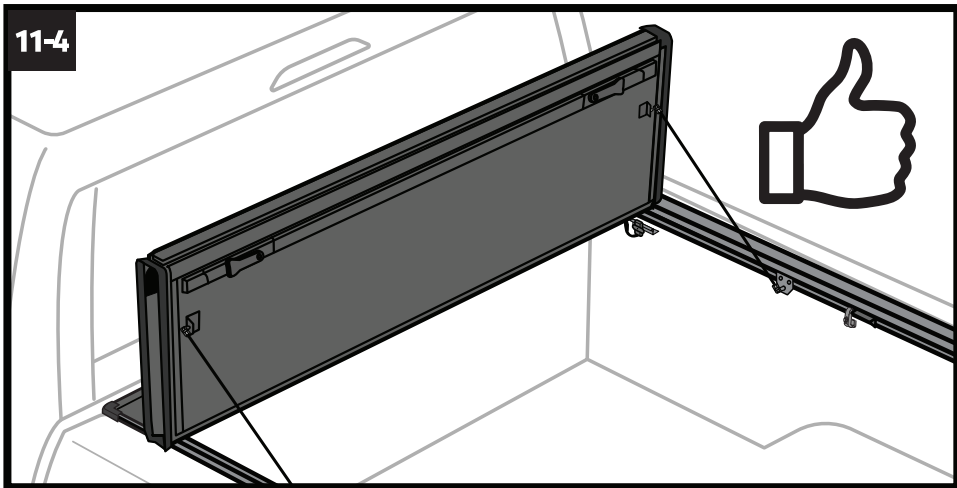


# 11 FLIP-UP THE FOLDED COVER

Maximize space by **raising** folded cover and **uphold** with Support Rod

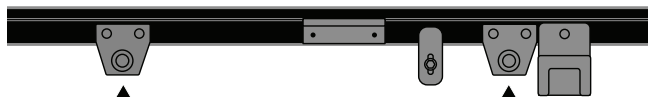


11-4



## TWO FLIP-UP CONFIGURATIONS

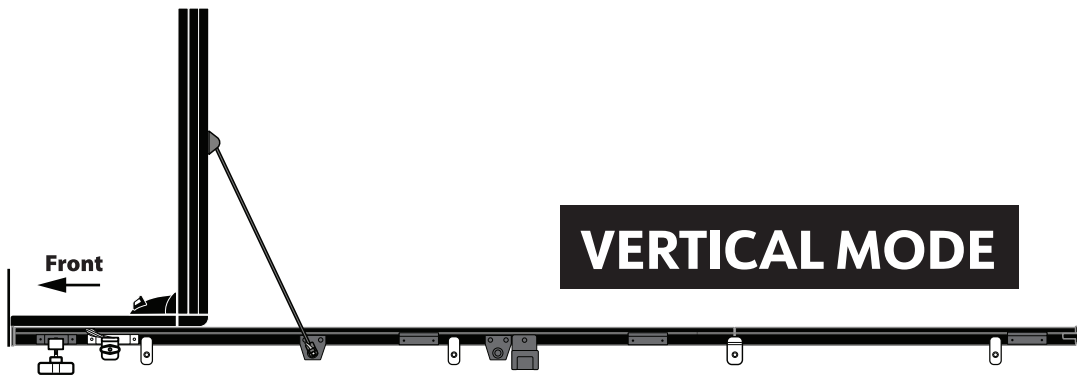
← Front



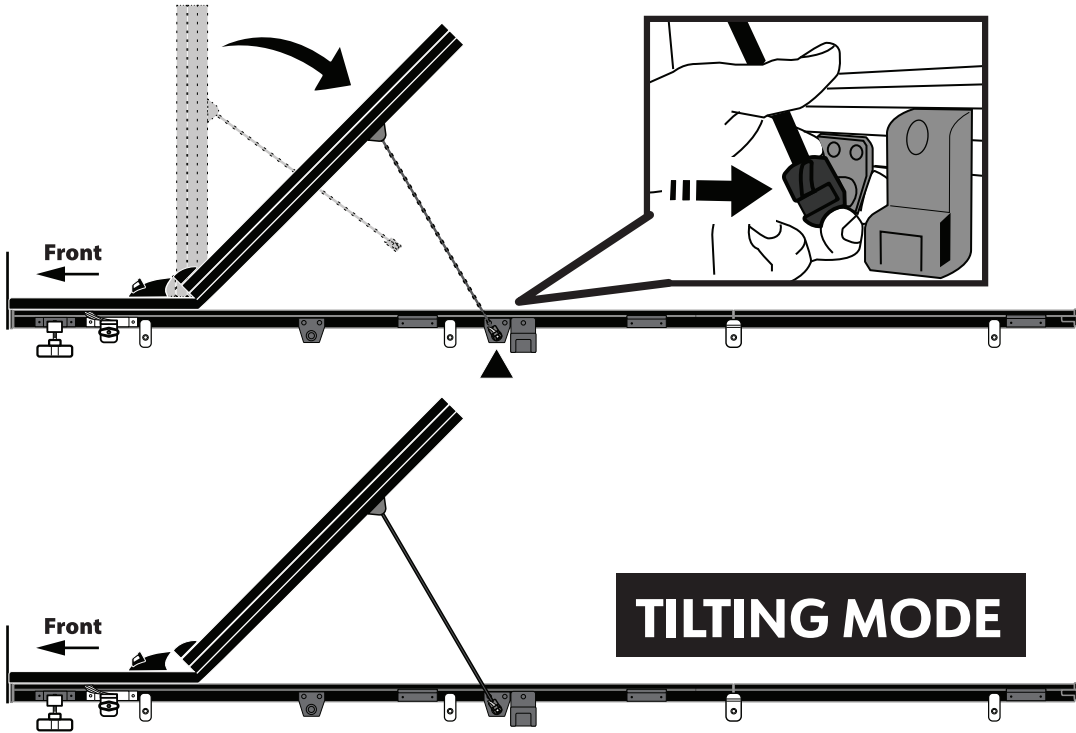
**VERTICAL MODE**

**TILTING MODE**

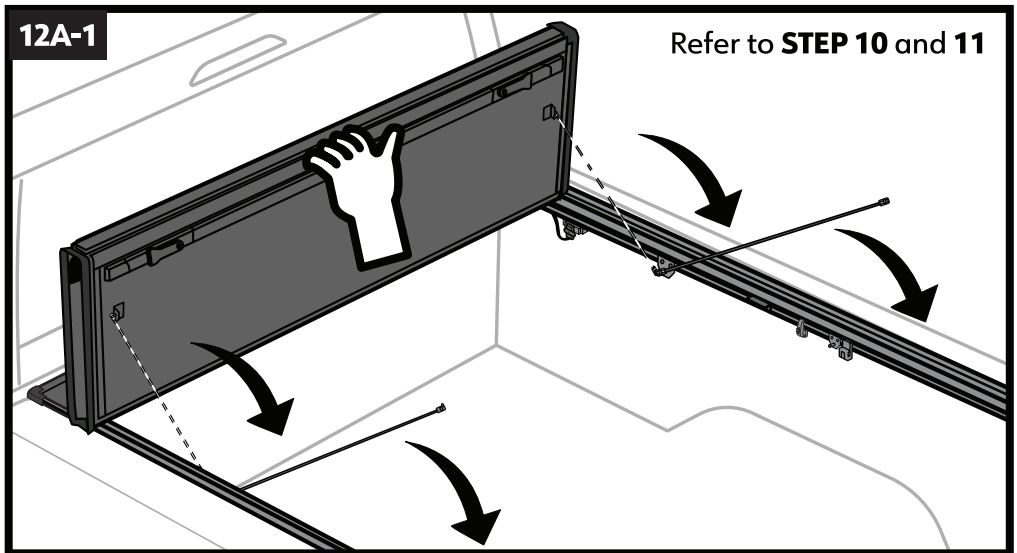
← Front

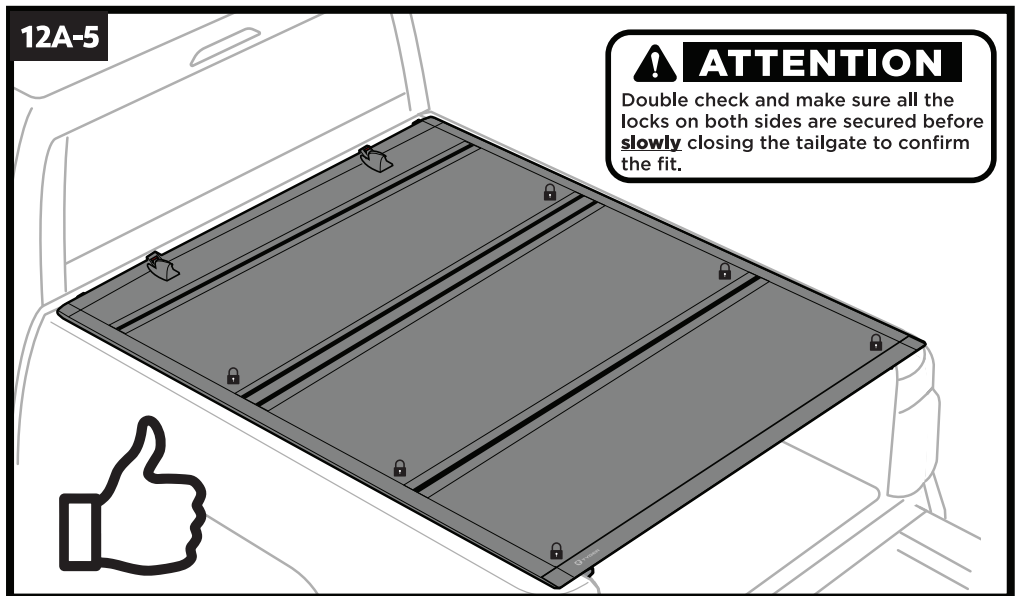
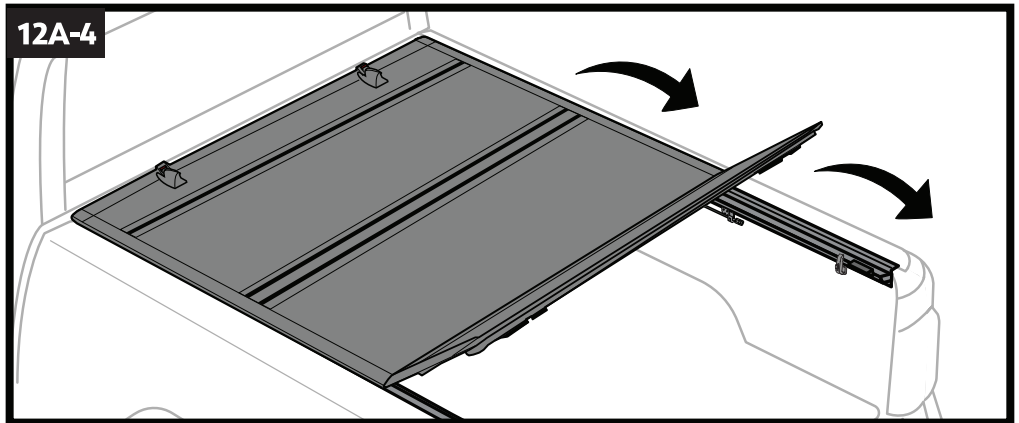
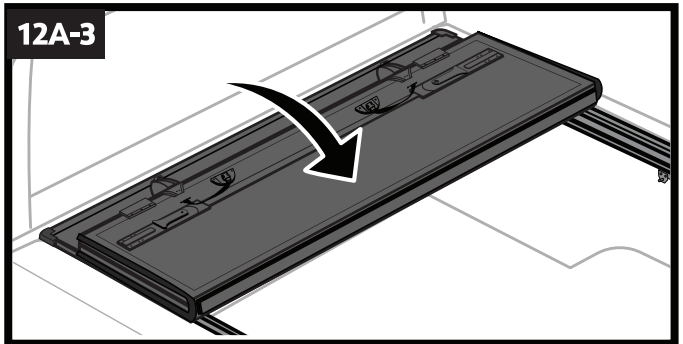
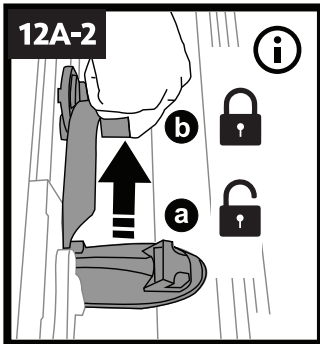


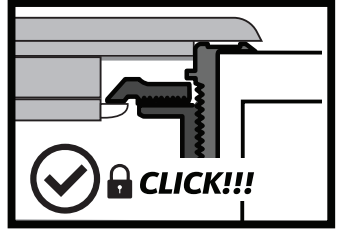
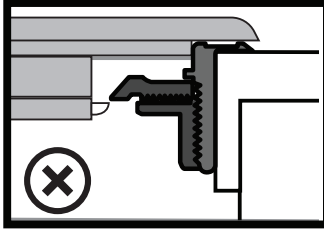
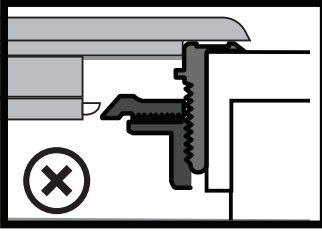
**VERTICAL MODE**



**12 FINISHING INSTALLATION**

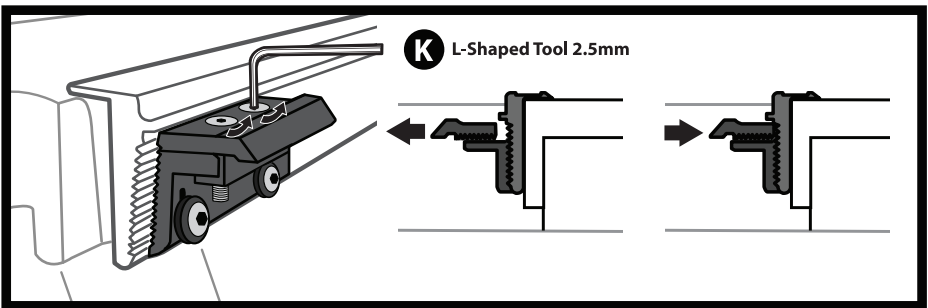
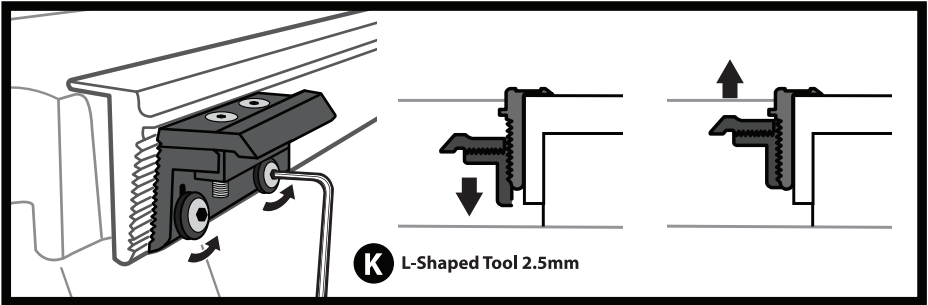
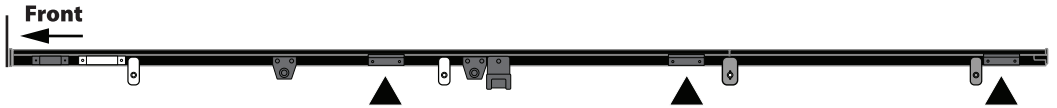






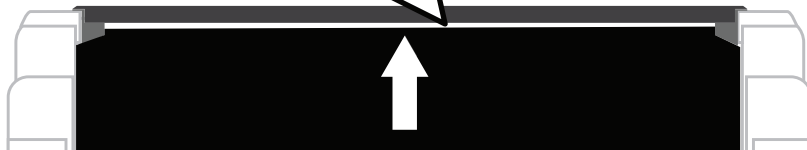
Poor latch? Refer 12B for strike plate adjustment

## 12B STRIKE PLATE BRACKET ADJUSTMENT

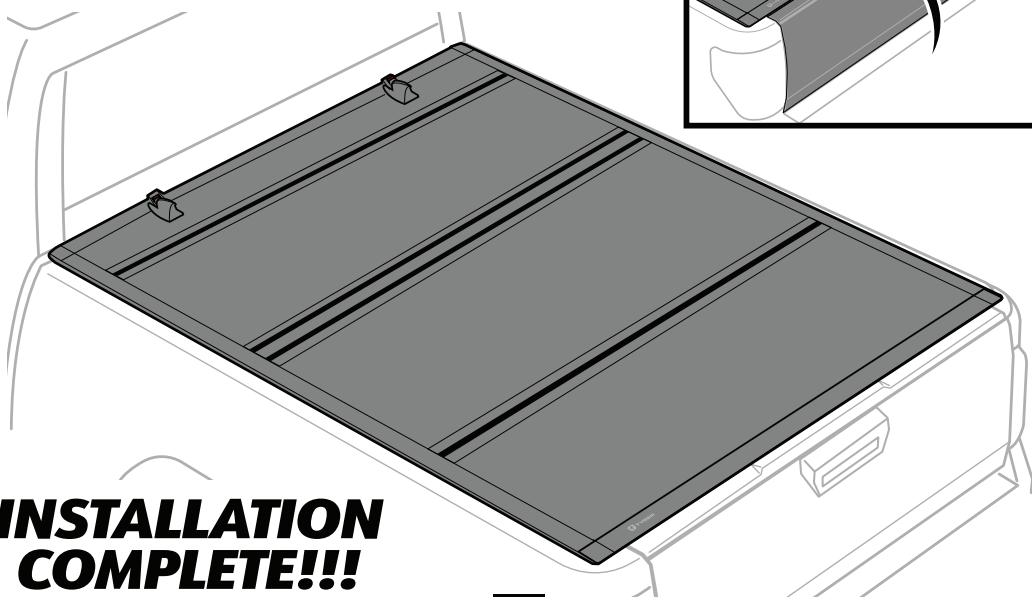
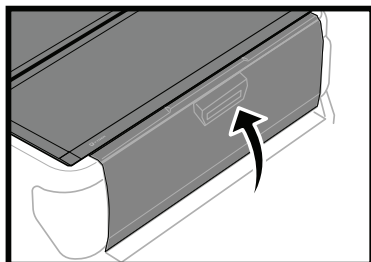


**ATTENTION**

Upon completing installation, open the tailgate and examine the seams from the inside to detect any leaking daylight. Apply additional universal sealing foam strips in those areas to mitigate potential water leak.


**Before you finish**

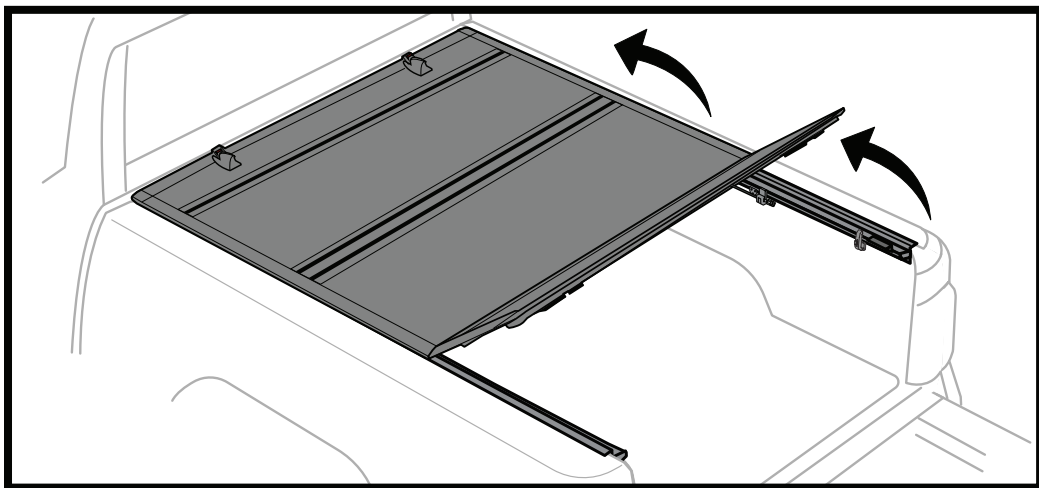
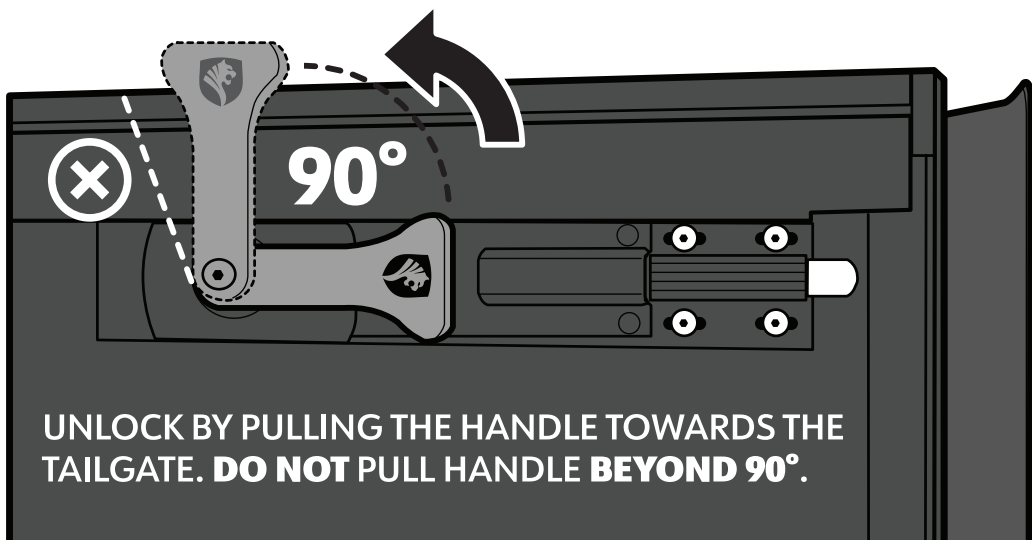
- ✔ 1) Confirm all the locks are properly engaged. Adjust strike plate if needed (Page 10)
- ✔ 2) Seal off any leaking light with foam strip and rubber strip (Pages 2 & 12)
- ✔ 3) Carefully close the tailgate to confirm the side rails are aligned (Page 2)
- ✔ 4) Tighten all hardware

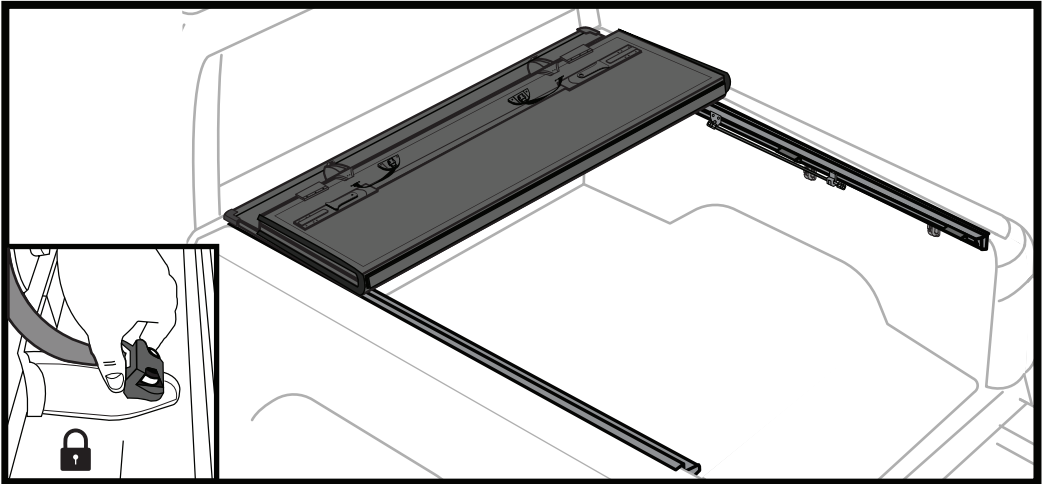


**INSTALLATION  
COMPLETE!!!**

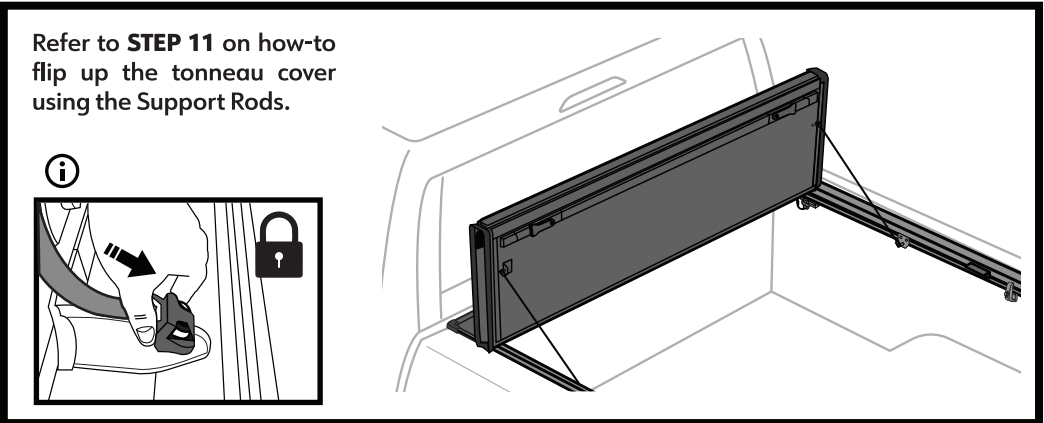
# 13 UNFOLDING THE BED COVER

## 90° THE LATCH SYSTEM





Refer to **STEP 11** on how-to flip up the tonneau cover using the Support Rods.



# 14 COMPATIBLE WITH MOST HEADACHE RACKS

