

A



B



C

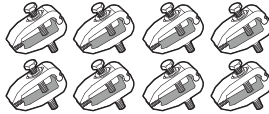
D



E



F



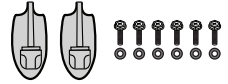
G



H



I



J



TOOLS REQUIRED
(NOT INCLUDED)



Ratchet Wrench



Phillips Screwdriver

ATTENTION

Read instructions carefully before starting installation. Remove contents from box and verify all parts are present. Failure to identify damage before installation could lead to rejection of any claim.

CONTACT US:

1-866-340-3038

PHONE



LIVE CHAT

PARTS LIST

A Bed Cover x1

B D & P Side Rails x2

C SP-BC9044 Support Rods x2

D SP-BC9020 (5cm x 5cm x 0.5cm) Foam Pads x2

SP-BC0003 (170cm x 2.5cm x 1cm)

SP-BC0004 (170cm x 3.5cm x 0.4cm)

E Front Sealing Strip

SP-BC0005 (200cm x 3.0cm x 0.6cm) Universal Sealing Strip

F SP-BC2004B Rail Clamps x8

G SP-BC9027 Front L-Clamps x2

H SP-BC9018 L-Clamp Hardware Kits x2

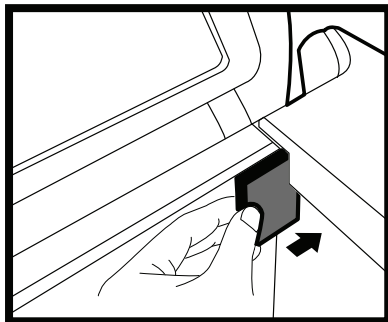
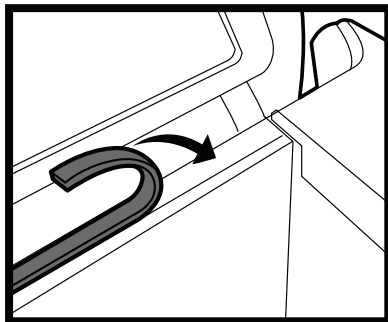
I SP-BC9016 Fin Slider Sets x2

J SP-BC0006 L-Shaped Tool 2.5mm

NOTE: PASSENGER/RIGHT SIDE INSTALLATION PICTURED FOR THE FOLLOWING STEPS

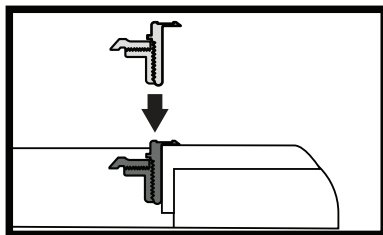
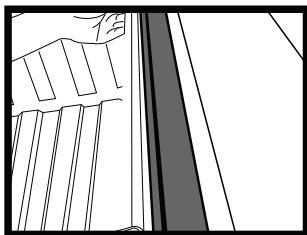
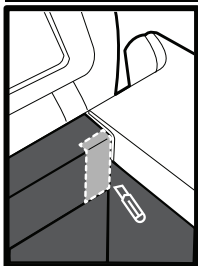
1 APPLY SEALING STRIP & FOAMS **i D E**

Peel off the release liner in the back before applying the front sealing strip & foams



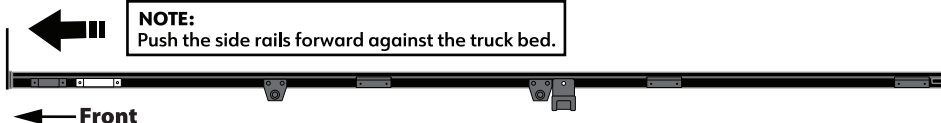
2 INSTALL THE SIDE RAIL **B**

⚠ ATTENTION

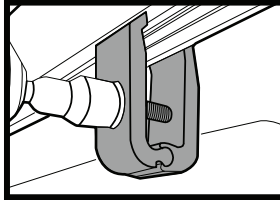
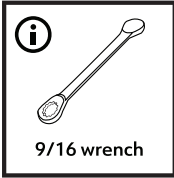
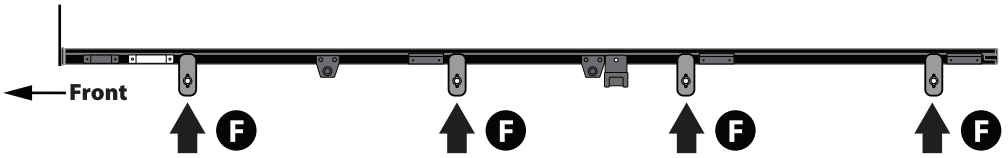


Vehicles with drop-in bedliners: Cut-out notch may be needed so side rails can reach the front bed panel.

NOTE: Push the side rails forward against the truck bed.

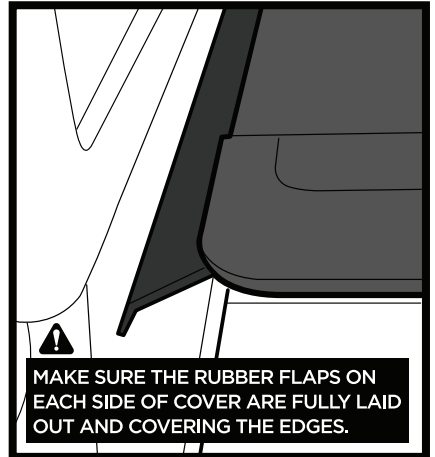
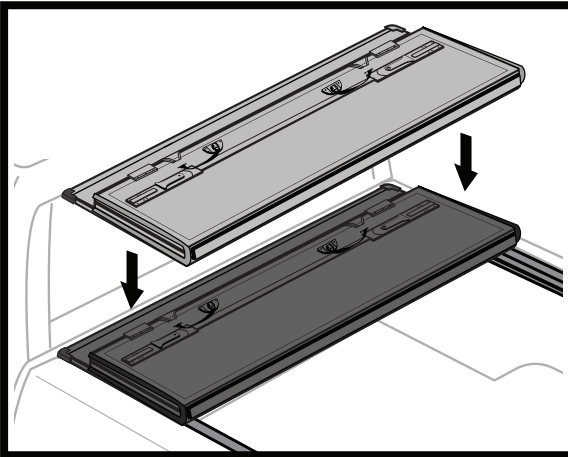


3 INSTALL RAIL CLAMPS i F

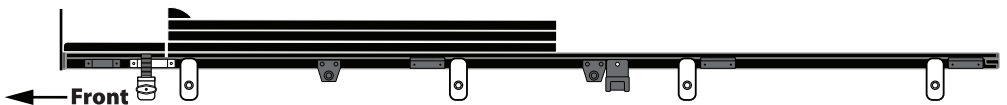


Clamps **MUST** be attached securely with a **9/16" wrench** to the metal part of the truck bed rail lip.

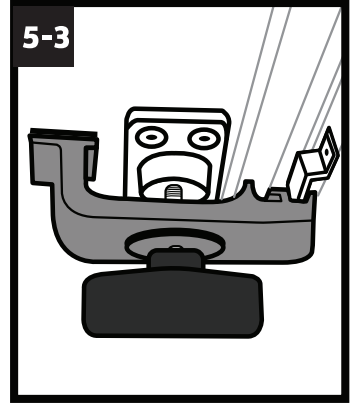
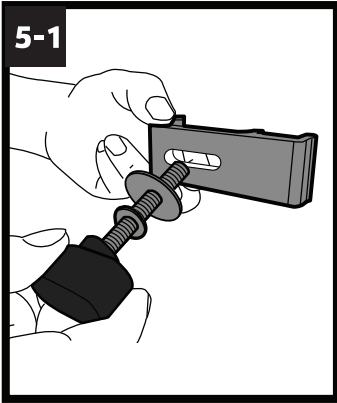
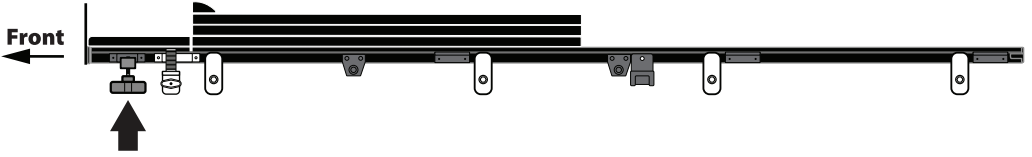
4 PLACE THE TONNEAU COVER A



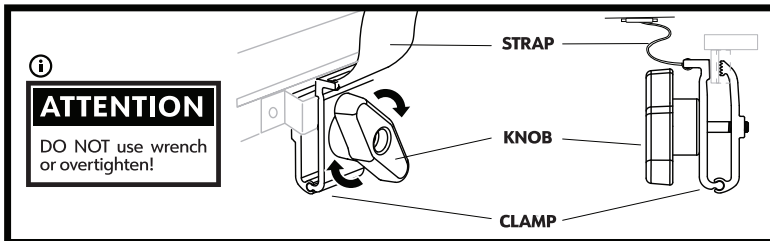
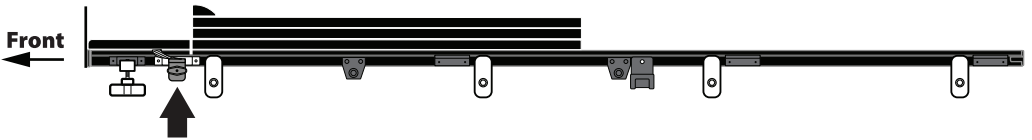
NOTE:
push the cover forward against the front wall of the side rail



5 INSTALL FRONT L-CLAMPS **G** **H**

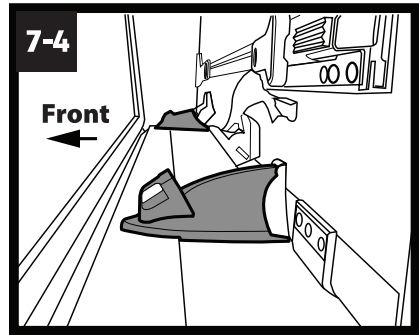
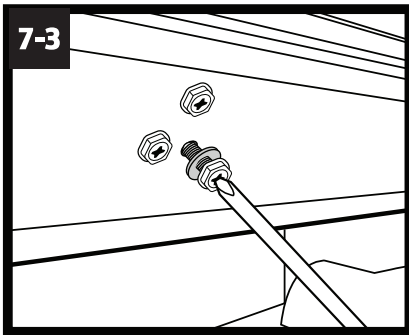
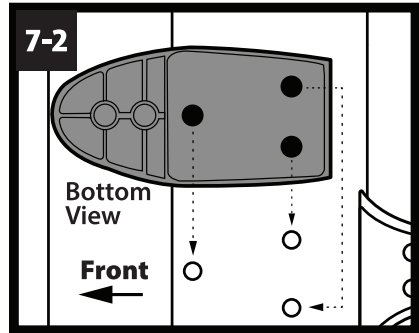
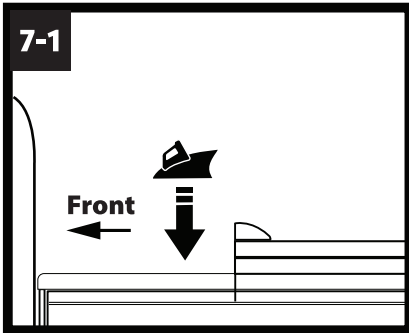


6 ATTACH SAFETY CLAMPS



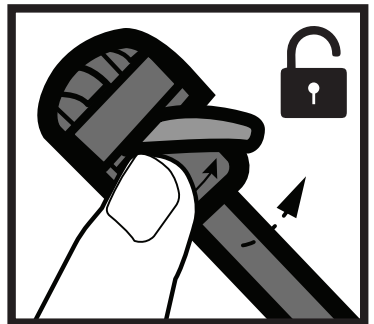
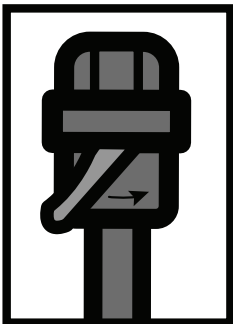
7 INSTALL FIN SLIDERS ①

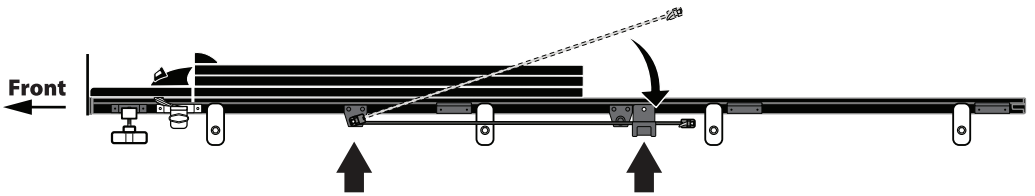
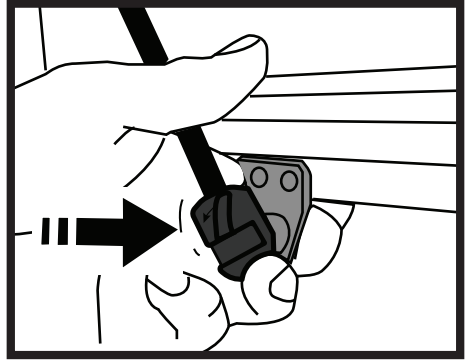
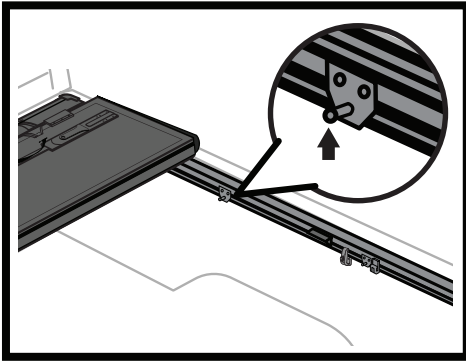
For trucks equipped with truck rack hoops, please refer to **Page 15**



8 INSTALL SUPPORT RODS TO SIDE RAILS

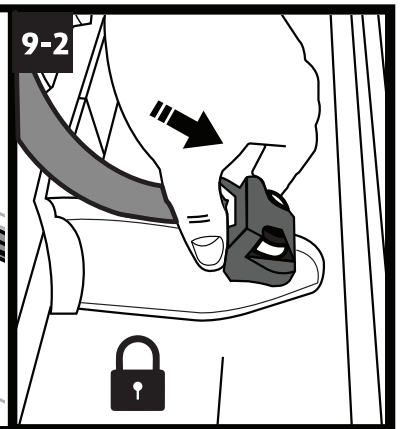
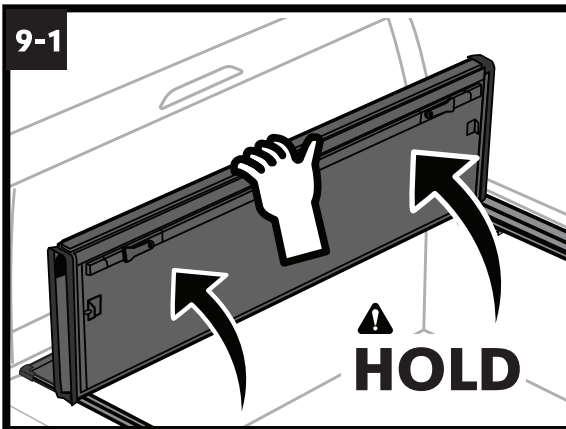
How to **Lock** and **Unlock** the Supporting Rod ②

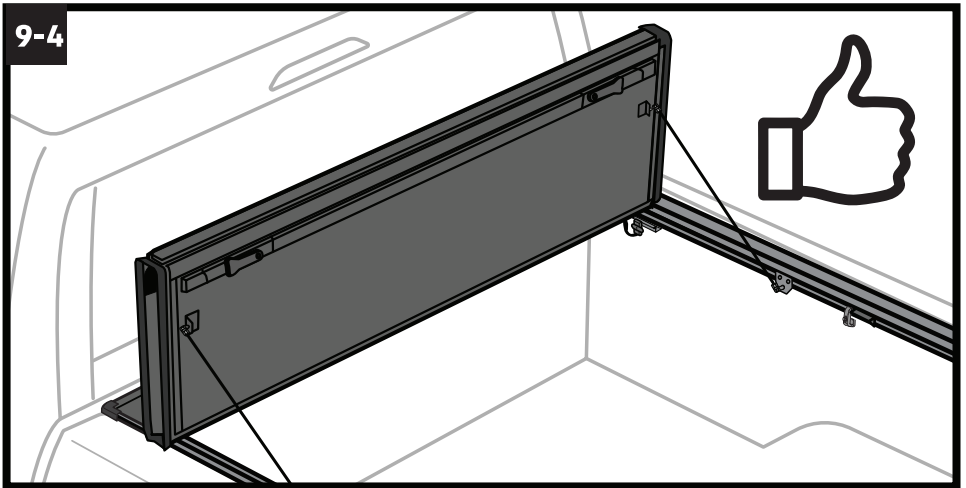
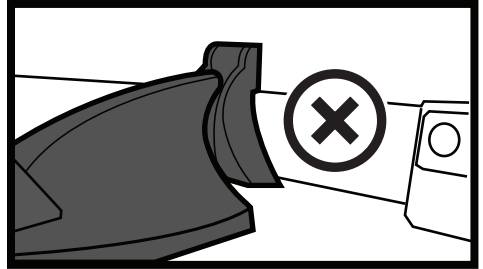
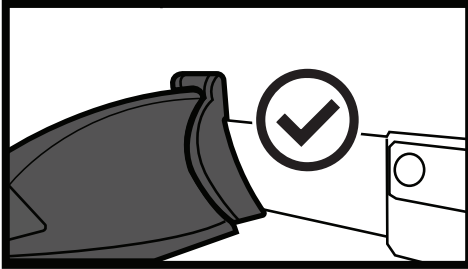
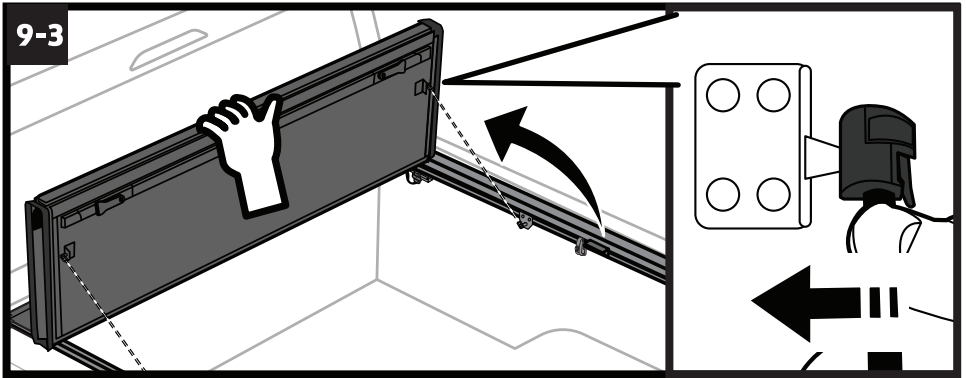




9 FLIP-UP THE FOLDED COVER

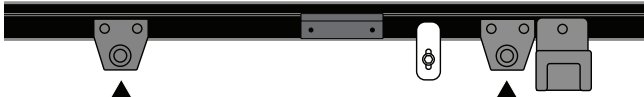
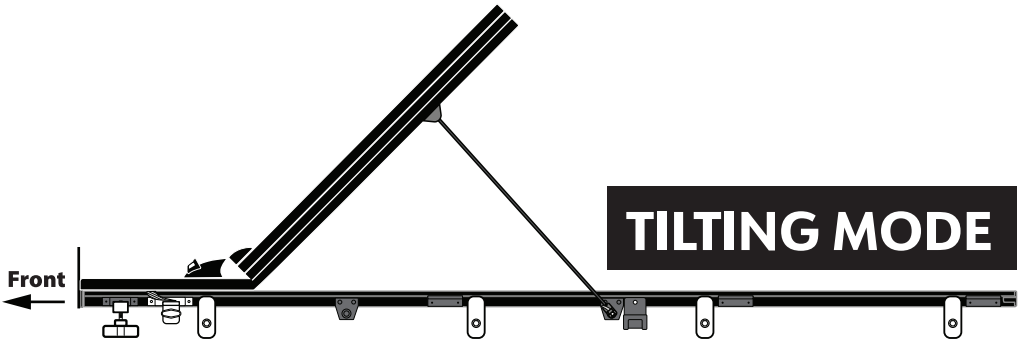
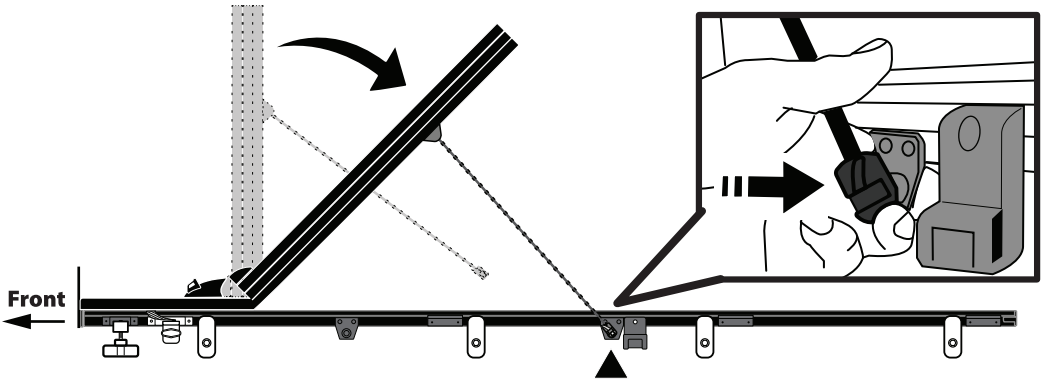
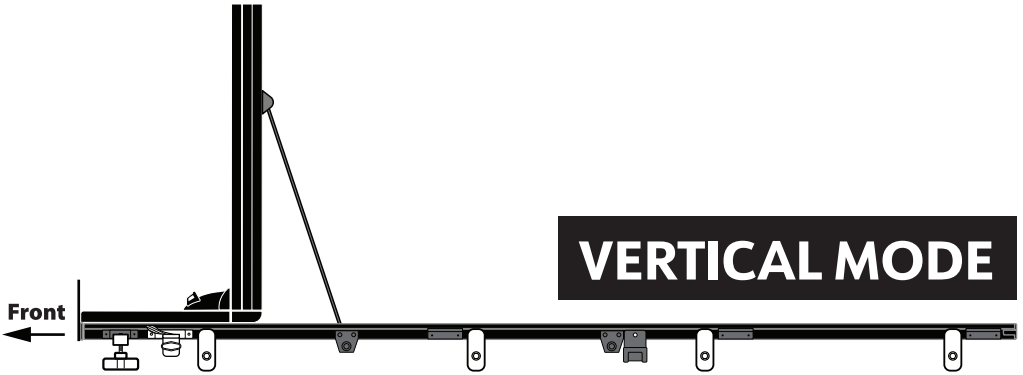
Maximize space by **raising** folded cover and **uphold** with Support Rod



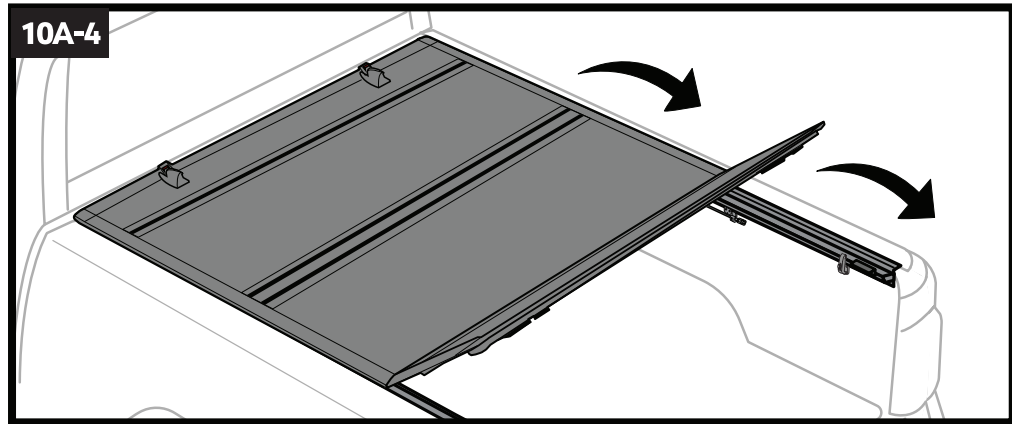
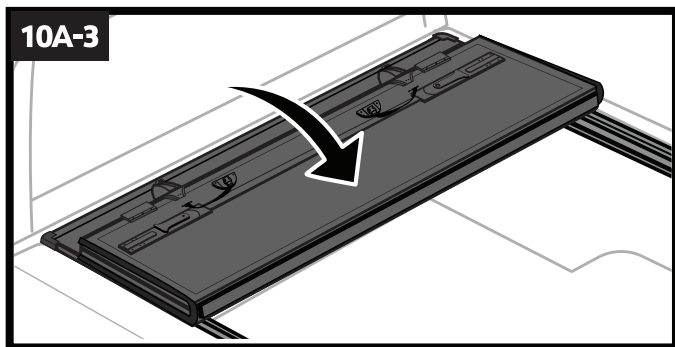
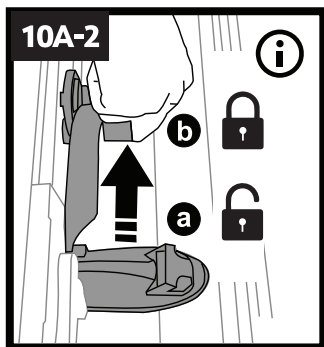
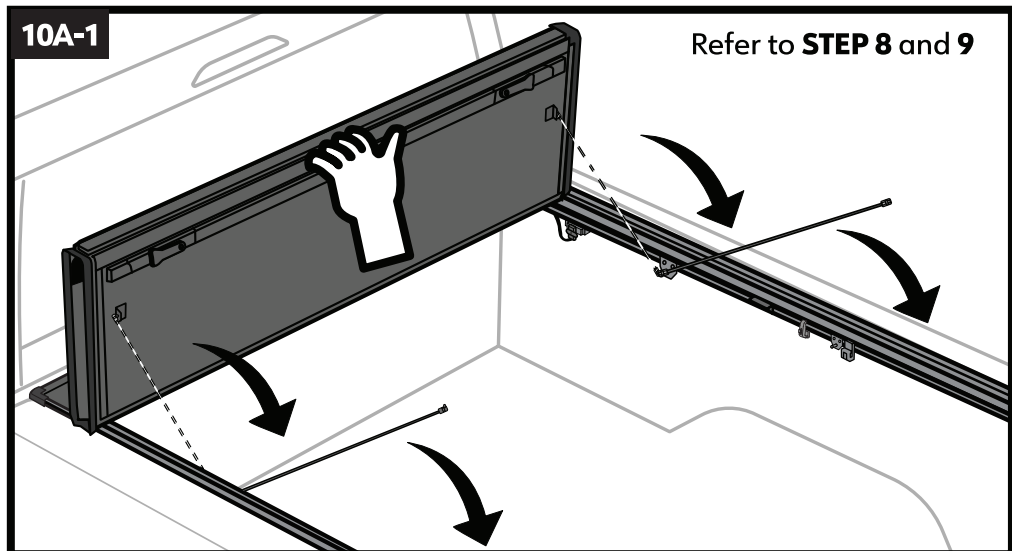


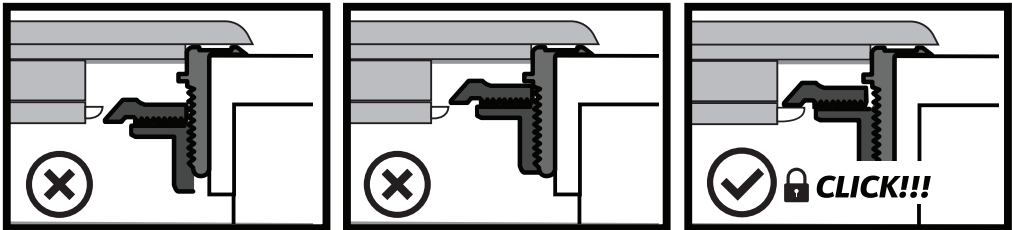
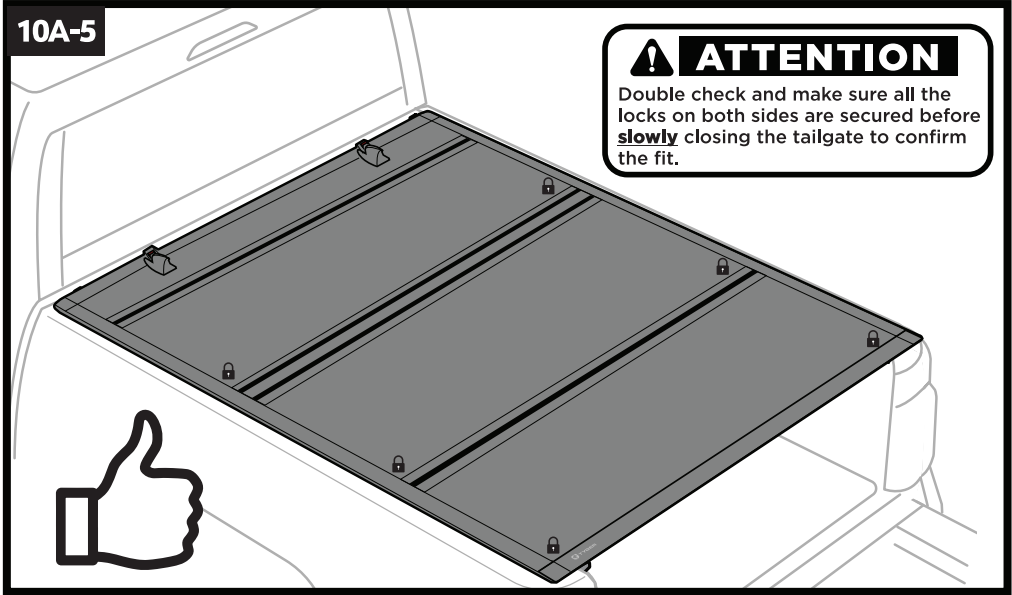
TWO FLIP-UP CONFIGURATIONS

← Front

**VERTICAL MODE****TILTING MODE**

10 FOLDING AND LOCKING COVER

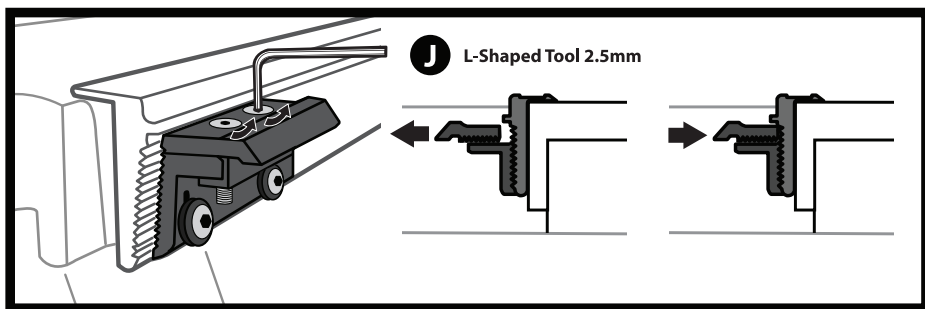
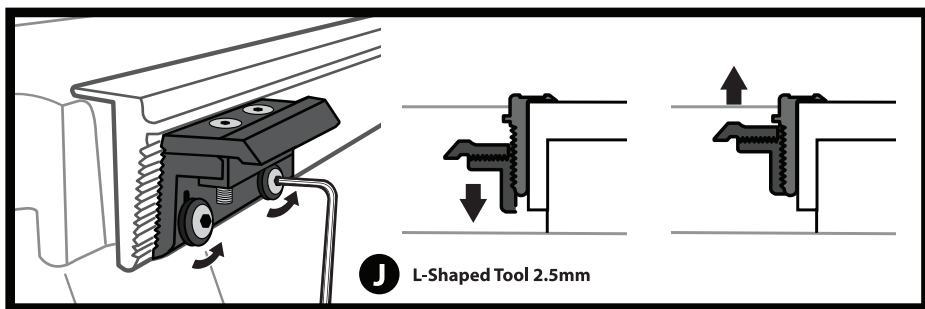




Poor latch? Refer **10B** for strike plate adjustment

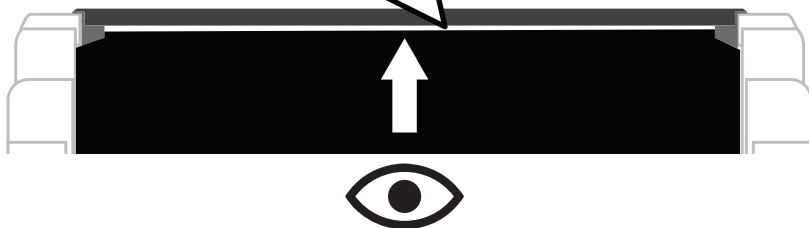
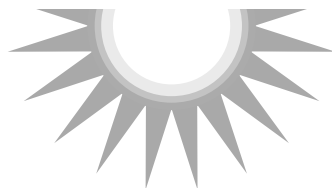
10B STRIKE PLATE BRACKET ADJUSTMENT





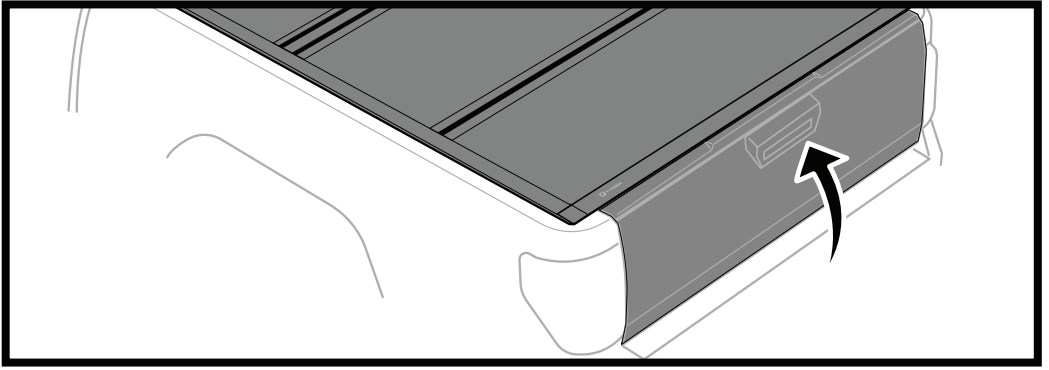
⚠ ATTENTION

Upon completing installation, open the tailgate and examine the seams from the inside to detect any leaking daylight. Apply additional universal sealing foam strips in those areas to mitigate potential water leak.

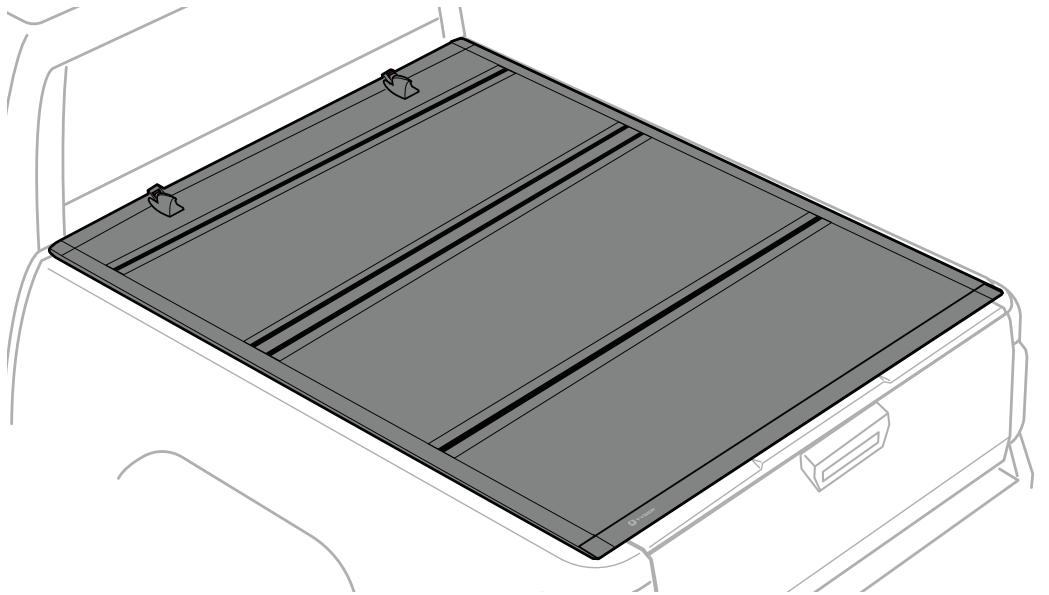


Before you finish

- ✓ 1) Confirm all the locks are properly engaged. Adjust strike plate if needed (Page 10)
- ✓ 2) Seal off any leaking light with foam strip and rubber strip (Pages 2 & 11)
- ✓ 3) Carefully close the tailgate to confirm the side rails are aligned (Page 2)
- ✓ 4) Tighten all hardware

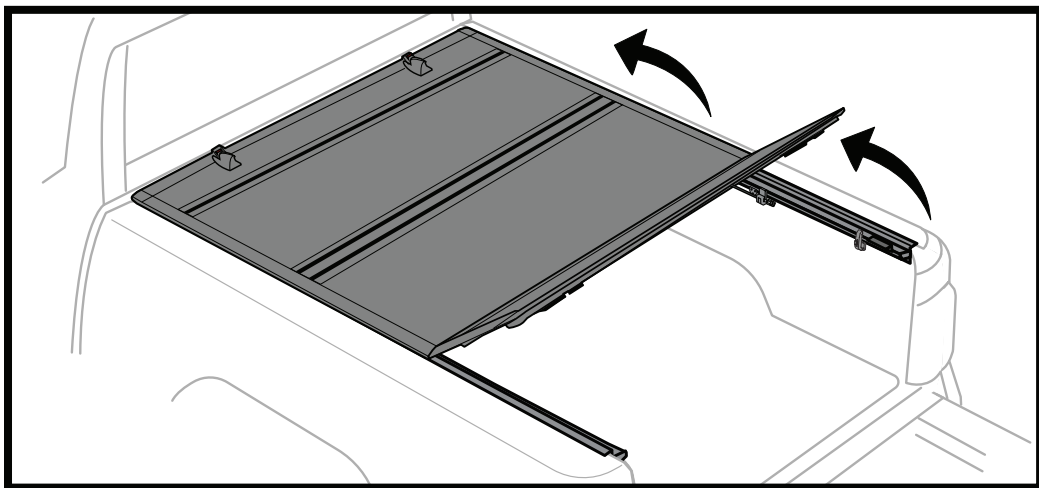
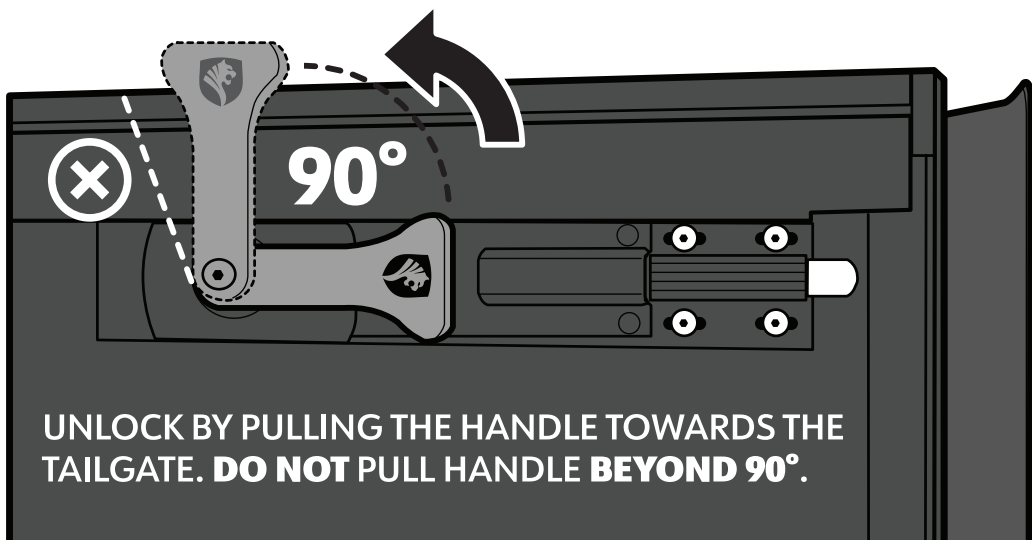


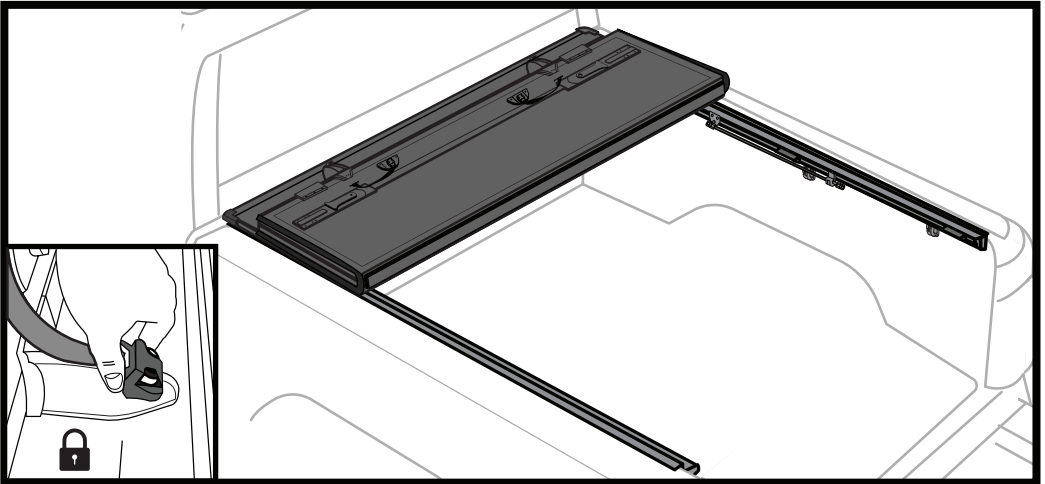
***INSTALLATION
COMPLETE!!!***



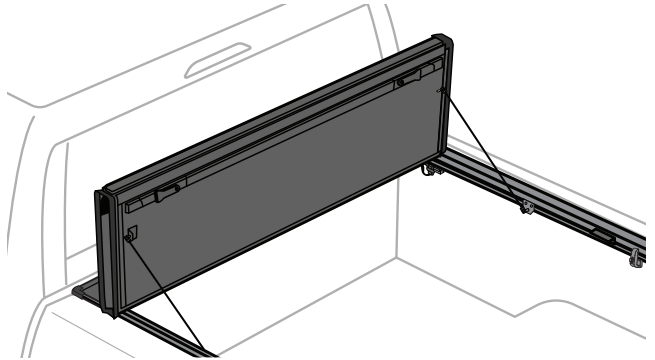
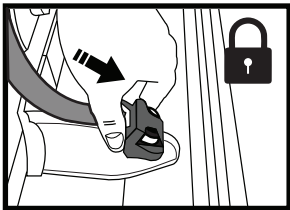
11 UNFOLDING THE BED COVER

90° THE LATCH SYSTEM





Refer to **STEP 9** on how-to flip up the tonneau cover using the Support Rods.



12 COMPATIBLE WITH MOST HEADACHE RACKS

