

**TYGER®**  
**T9**

**FLIP-UP LOW-PROFILE  
HARD FOLDING  
TONNEAU COVER**

for Tundra Short Beds



**A**



**B**



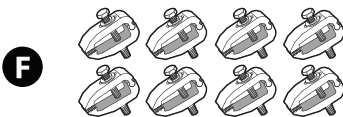
**C**



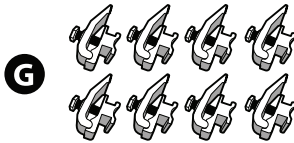
**D**



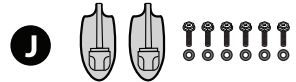
**E**



**F**



**G**



**J**



**H**



**K**



**I**

**TOOLS REQUIRED**  
(NOT INCLUDED)



Ratchet Wrench



Phillips Screwdriver

**ATTENTION**

Read instructions carefully before starting installation. Remove contents from box and verify all parts are present. Failure to identify damage before installation could lead to rejection of any claim.

**CONTACT US:**

1-866-340-3038

PHONE



LIVE CHAT

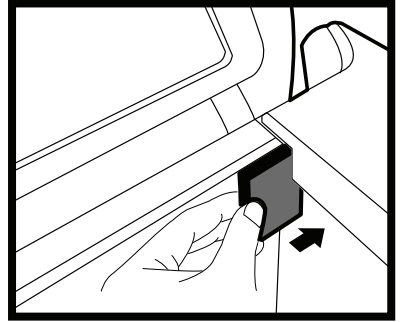
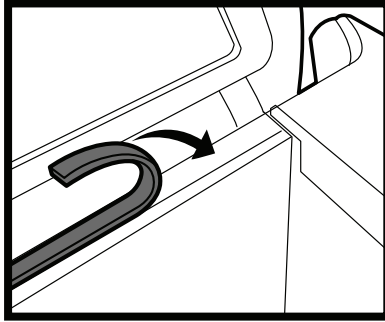
**PARTS LIST**

- A** Bed Cover x1
- B** D & P Side Rails x2
- C** SP-BC9044 Support Rods x2
- D** SP-BC9020 (5cm x 5cm x 0.5cm) Foam Pads x2
  - SP-BC0003 (170cm x 2.5cm x 1cm)
  - SP-BC0004 (170cm x 3.5cm x 0.4cm)
- E** Front Sealing Strip
  - SP-BC0005 (200cm x 3.0cm x 0.6cm) Universal Sealing Strip
- F** SP-BC2004B Clamps for No Deck Rail System x8 Follow **STEP 2A & 2B**
- G** SP-BC9033 Clamps for Deck Rail System x8 Follow **STEP 3A & 3B**
- H** SP-BC9027 Front L-Clamps x2
- I** SP-BC9018 L-Clamp Hardware Kits x2
- J** SP-BC9016 Fin Slider Sets x2
- K** SP-BC0006 L-Shaped Tool 2.5mm

**NOTE: PASSENGER/RIGHT SIDE INSTALLATION PICTURED FOR THE FOLLOWING STEPS**

# 1 APPLY SEALING STRIP & FOAMS **i D E**

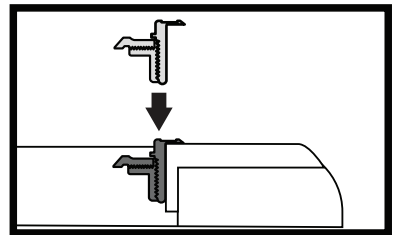
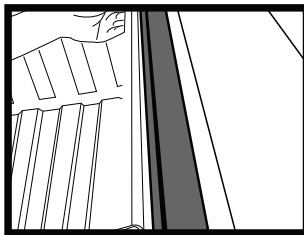
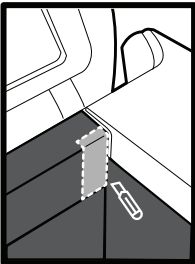
Peel off the release liner in the back before applying the front sealing strip & foams



# 2A INSTALL THE SIDE RAIL **B**

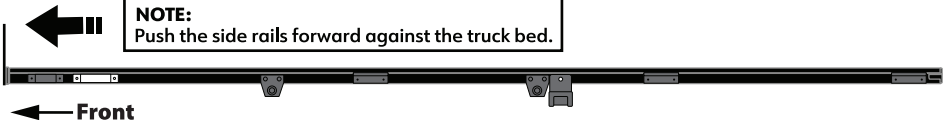
Deck Rail **X**

## ATTENTION



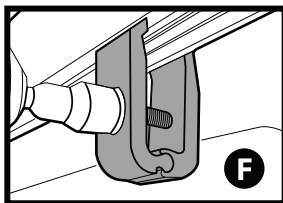
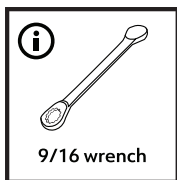
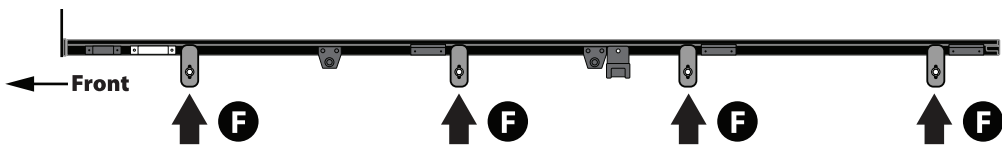
**Vehicles with drop-in bedliners:**  
Cut-out notch may be needed so side rails can reach the front bed panel.

**NOTE:**  
Push the side rails forward against the truck bed.



## 2B INSTALL RAIL CLAMPS ⓘ F

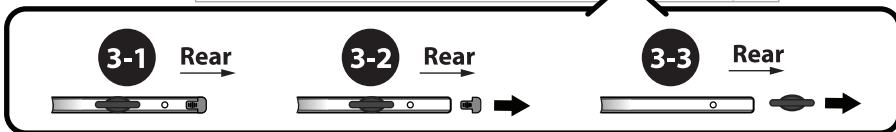
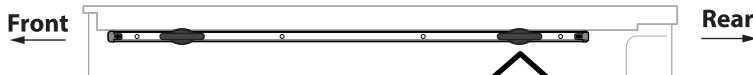
Deck Rail ✗ Continue to STEP 4



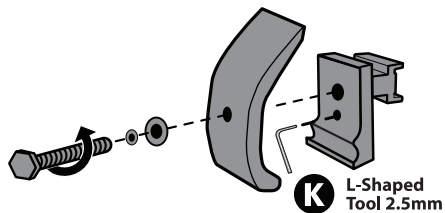
Clamps **MUST** be attached securely with a **9/16" wrench** to the metal part of the truck bed rail lip.

## 3A INSTALL DECK RAIL CLAMPS G

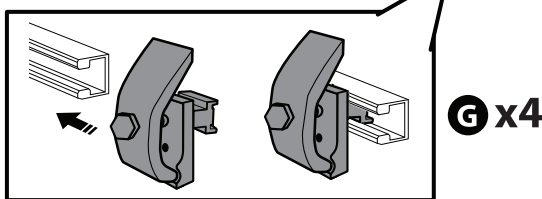
Deck Rail ✓



**NOTES**  
The front and rear clamps should be installed as close to each end of the track as possible to minimize tension to the rail.



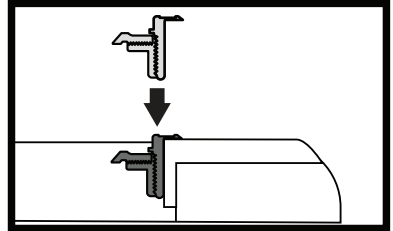
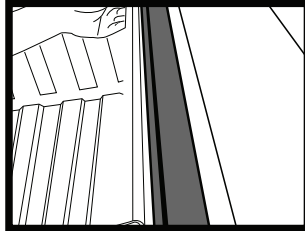
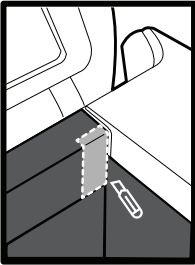
**DO NOT**  
tighten at this time



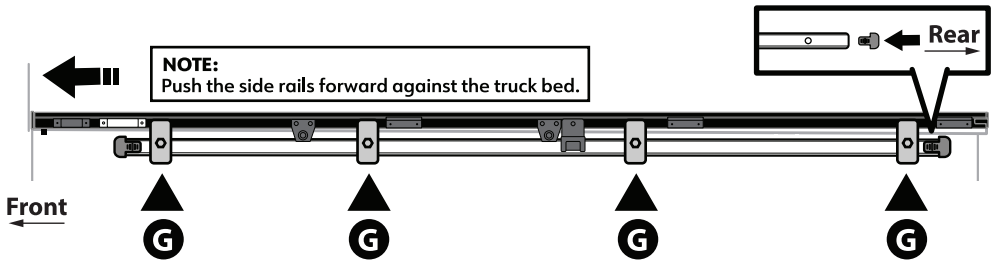
# 3B INSTALL THE SIDE RAIL **B**

Deck Rail ✓

## ⚠ ATTENTION



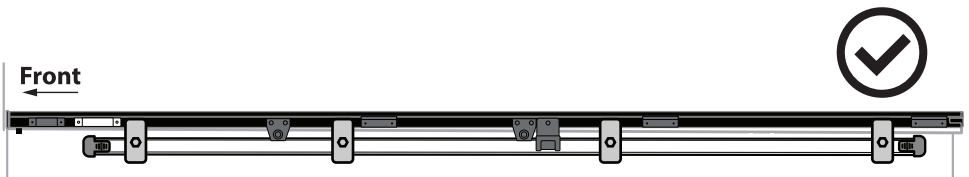
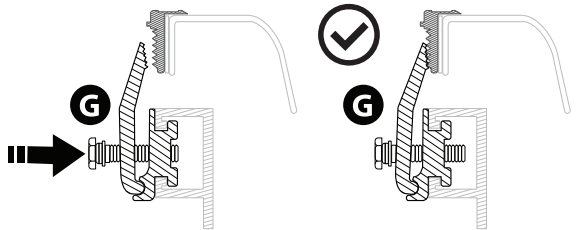
**Vehicles with drop-in bedliners:** Cut-out notch may be needed so side rails can reach the front bed panel.



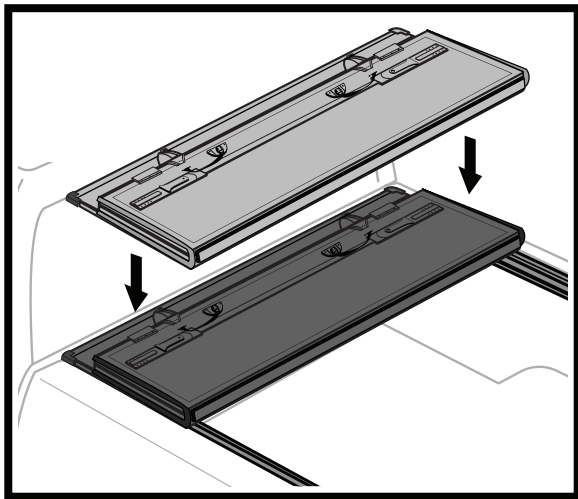
## ATTENTION



Clamps **MUST** be attached securely to the side rail against the deck rails bracket with a wrench.



## 4 PLACE THE TONNEAU COVER **A**



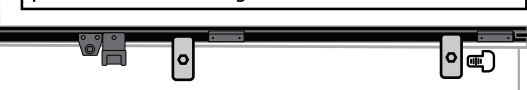
### Deck Rail **X**

Front



**NOTE:**

push the cover forward against the front wall of the side rail



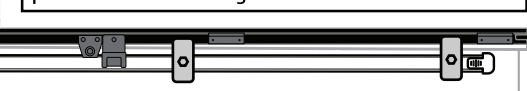
### Deck Rail **✓**

Front



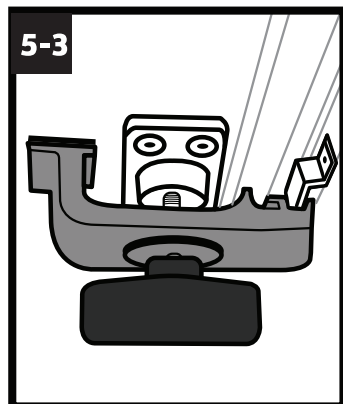
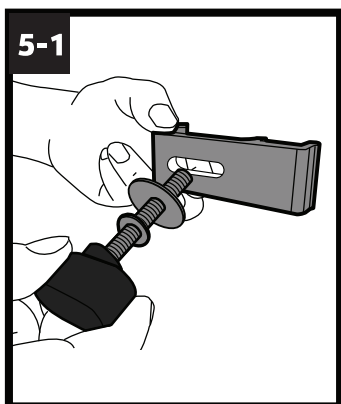
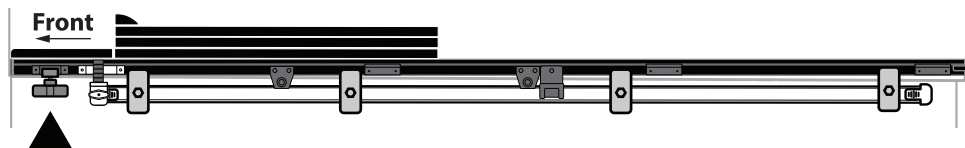
**NOTE:**

push the cover forward against the front wall of the side rail

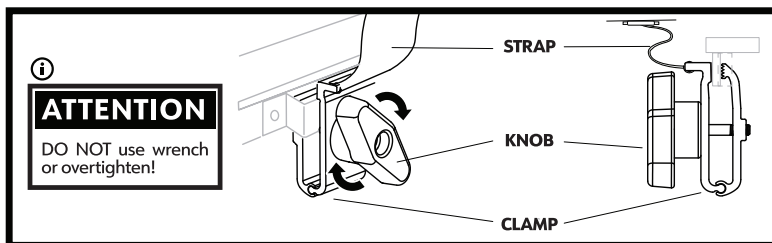
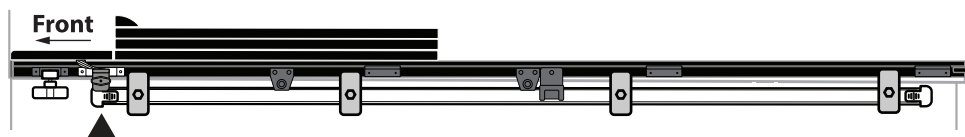


**NOTE:**  
MODELS WITH DECK RAIL SYSTEM INSTALLATION PICTURED FOR THE FOLLOWING STEPS

## 5 INSTALL FRONT L-CLAMPS **H** **I**

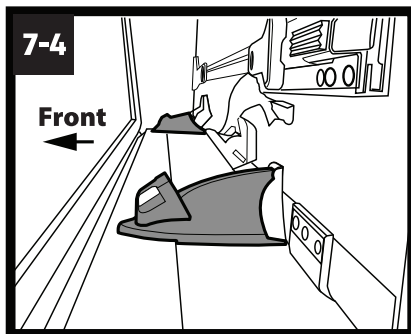
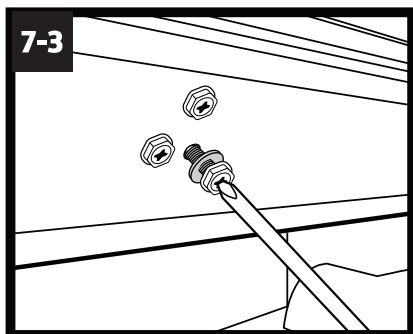
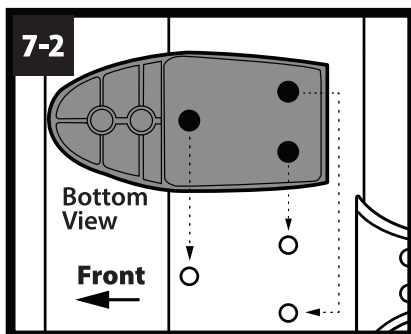
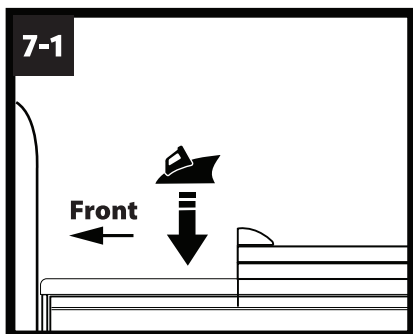


## 6 ATTACH SAFETY CLAMPS



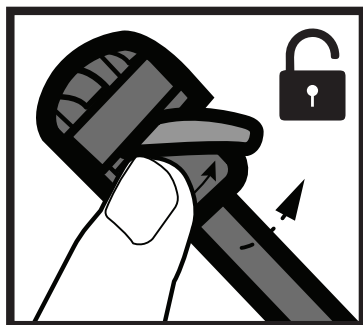
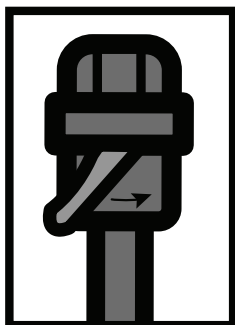
## 7 INSTALL FIN SLIDERS J

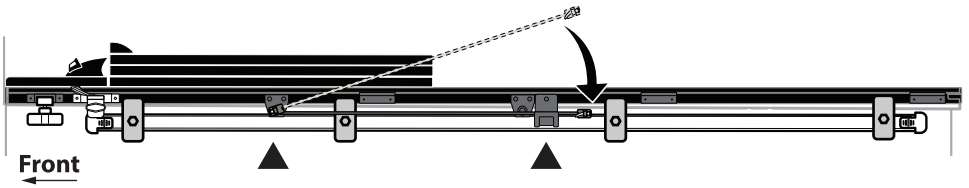
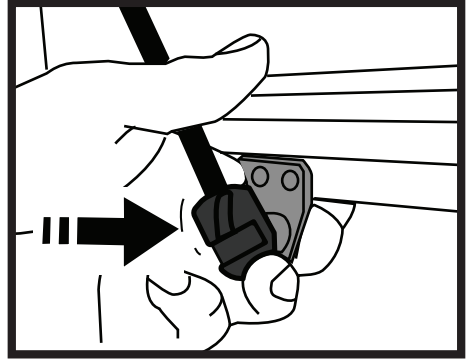
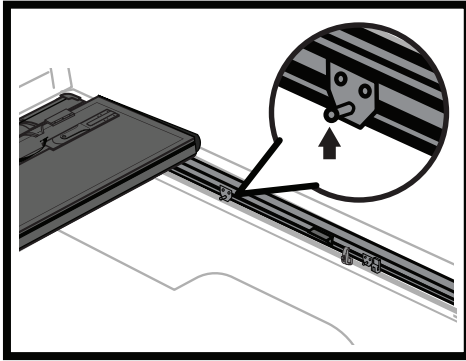
For trucks equipped with truck rack hoops, please refer to **Page 17**



## 8 INSTALL SUPPORT RODS TO SIDE RAILS

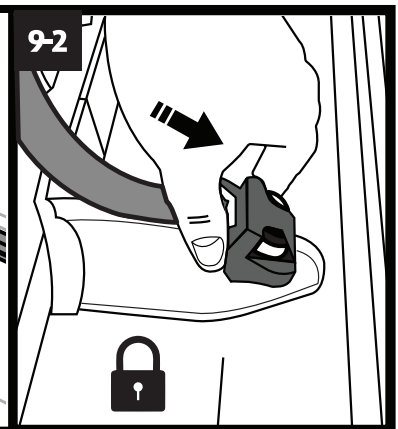
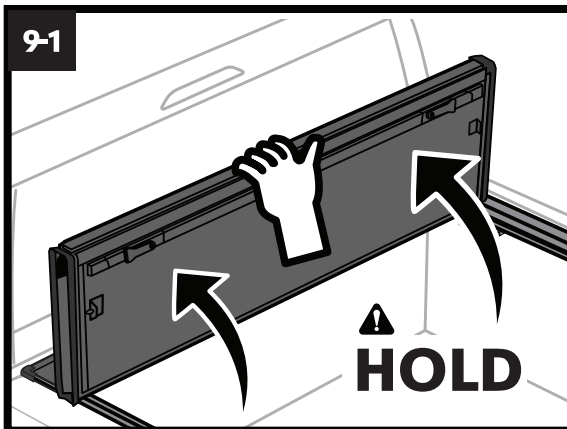
How to **Lock** and **Unlock** the Supporting Rod C

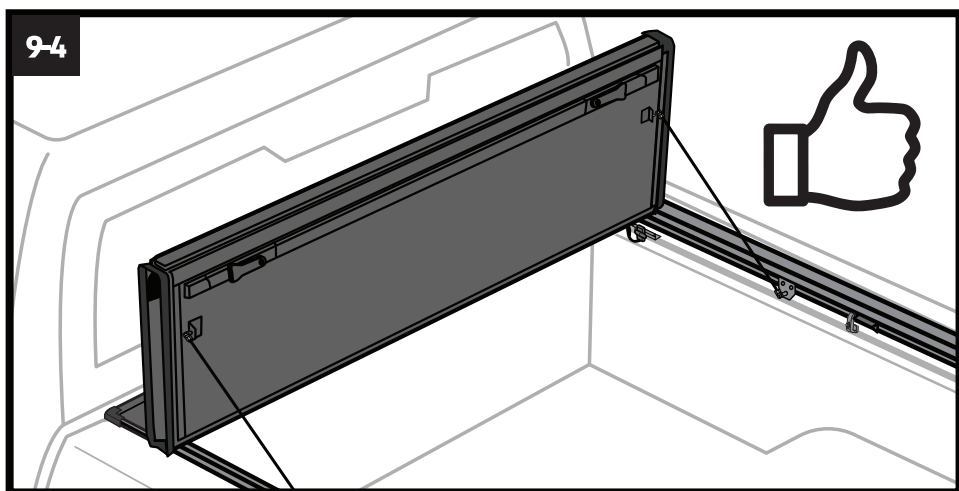
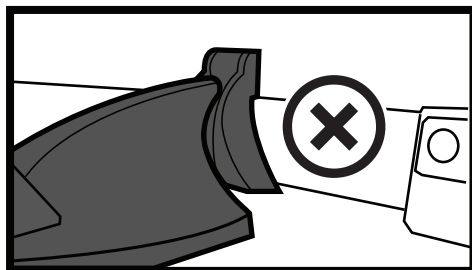
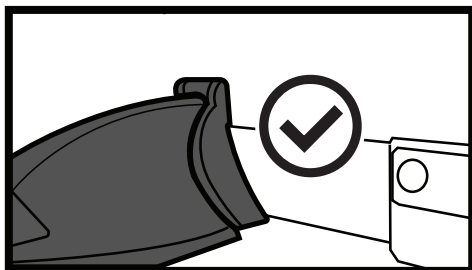
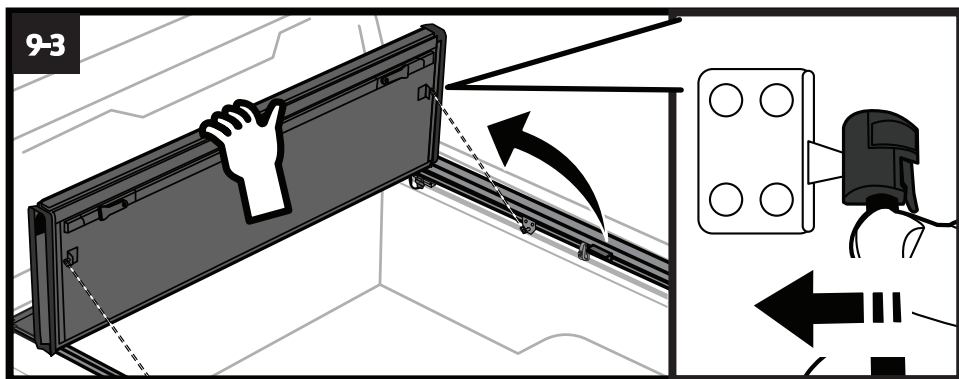




## 9 FLIP-UP THE FOLDED COVER

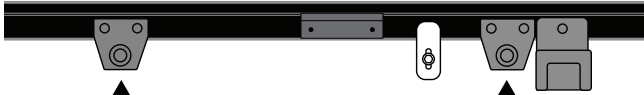
Maximize space by **raising** folded cover and **uphold** with Support Rod





## TWO FLIP-UP CONFIGURATIONS

← Front

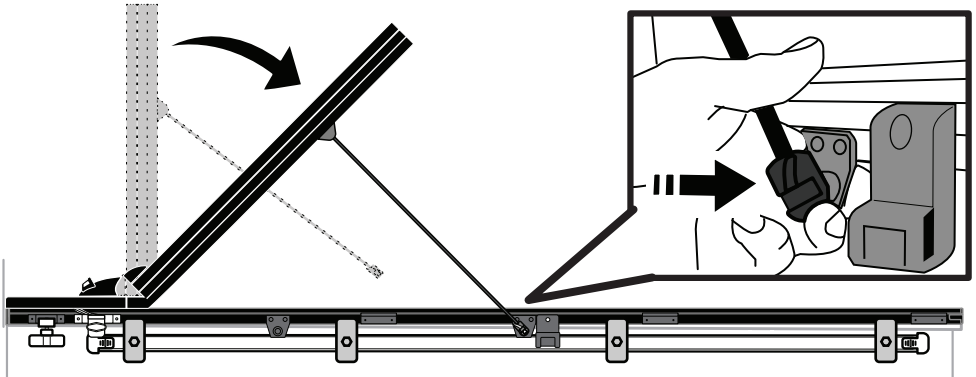
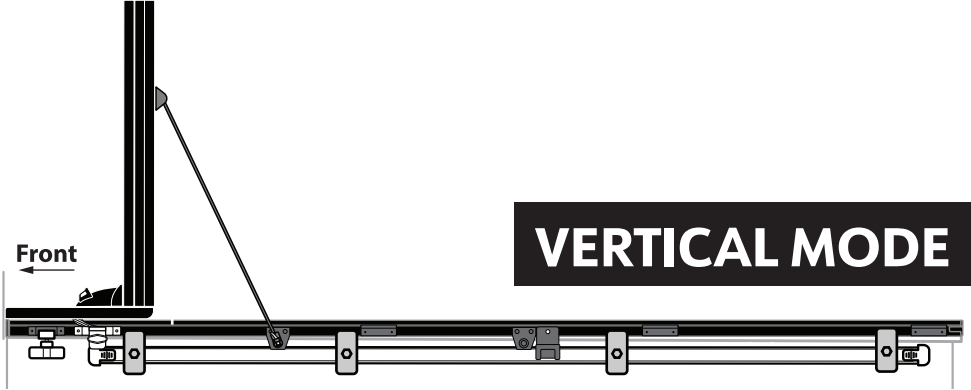


**VERTICAL MODE**

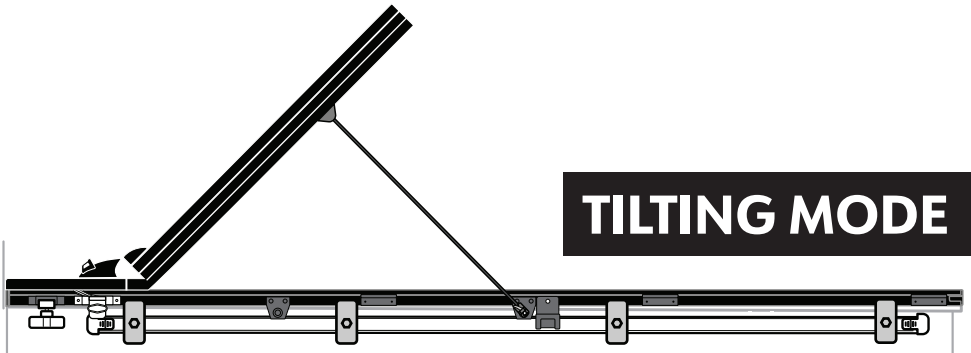
**TILTING MODE**

← Front

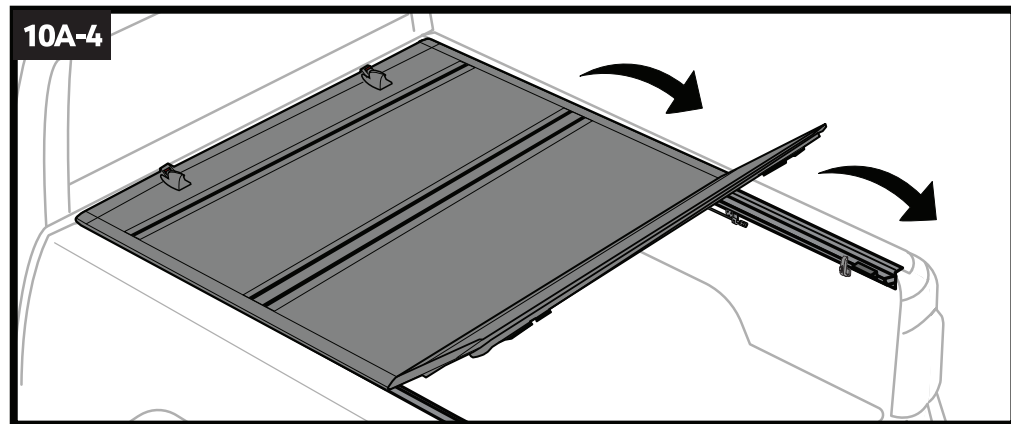
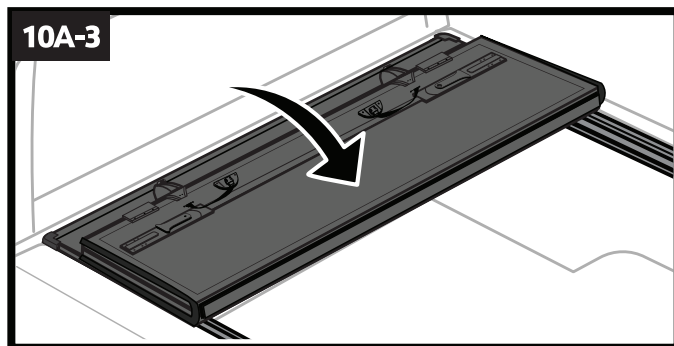
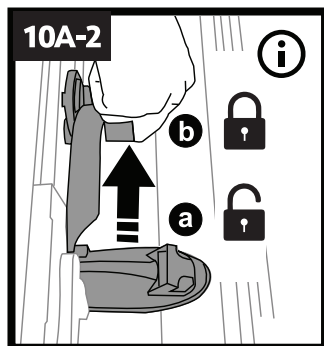
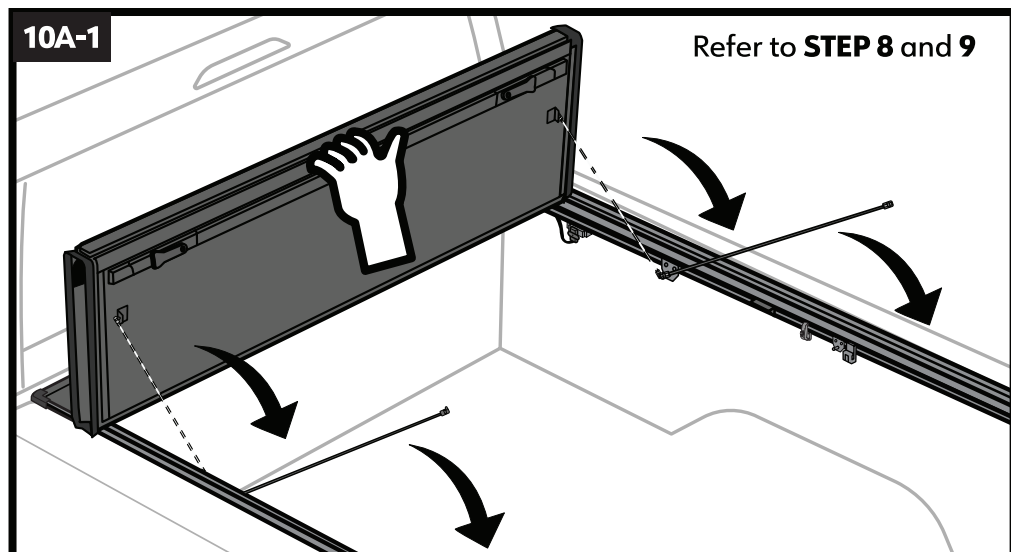
**VERTICAL MODE**



**TILTING MODE**

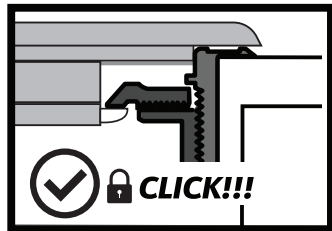
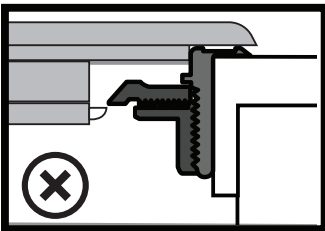
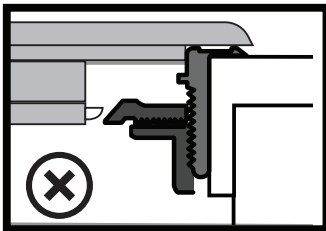
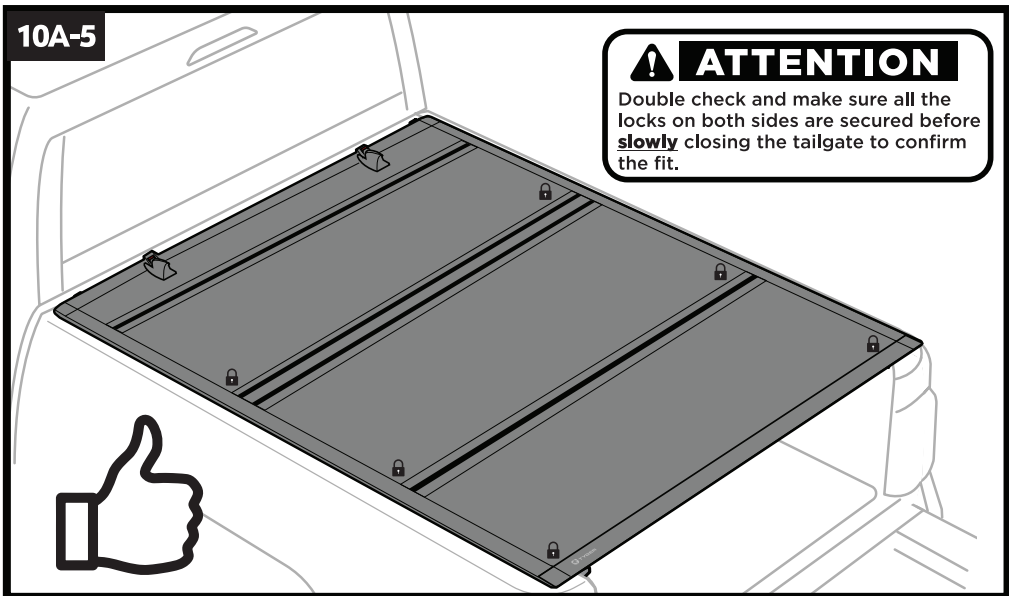


# 10 FOLDING AND LOCKING COVER



**10A-5**

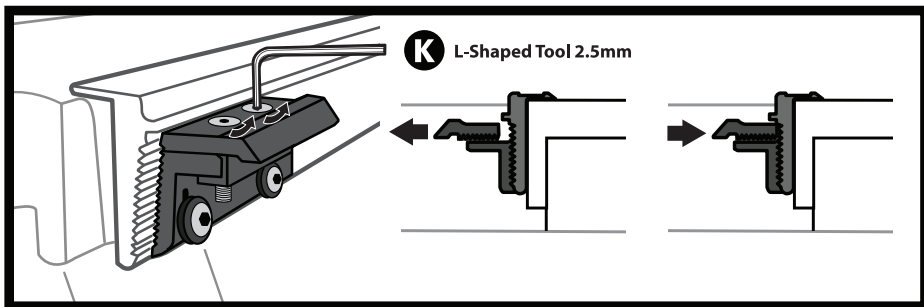
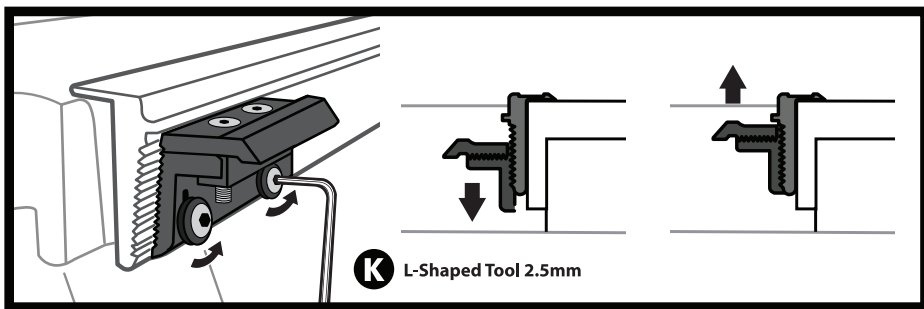
**⚠ ATTENTION**  
Double check and make sure all the locks on both sides are secured before **slowly** closing the tailgate to confirm the fit.



Poor latch? Refer to **10B** for strike plate adjustment

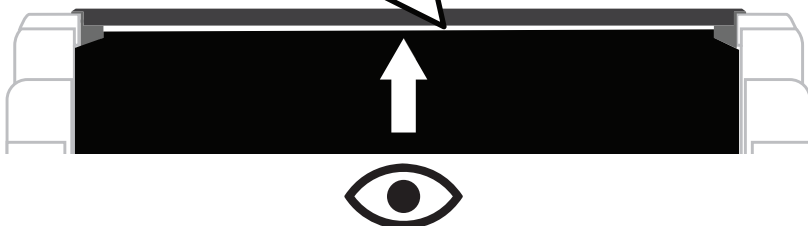
**10B STRIKE PLATE BRACKET ADJUSTMENT**





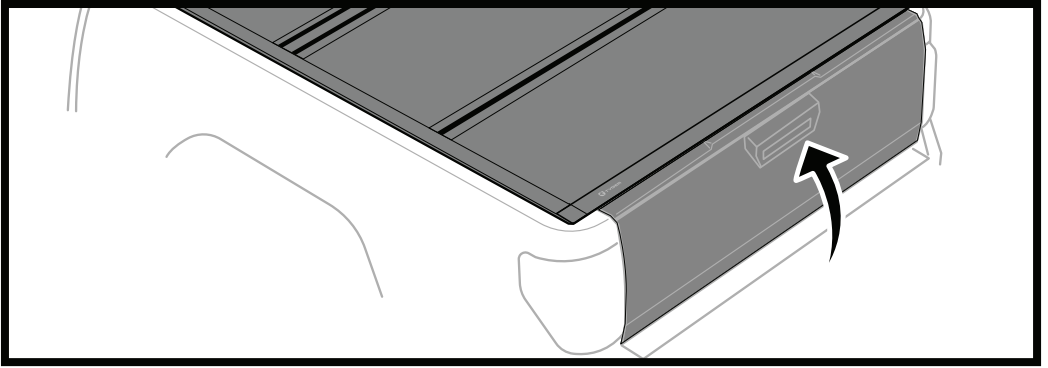
### **⚠ ATTENTION**

Upon completing installation, open the tailgate and examine the seams from the inside to detect any leaking daylight. Apply additional universal sealing foam strips in those areas to mitigate potential water leak.

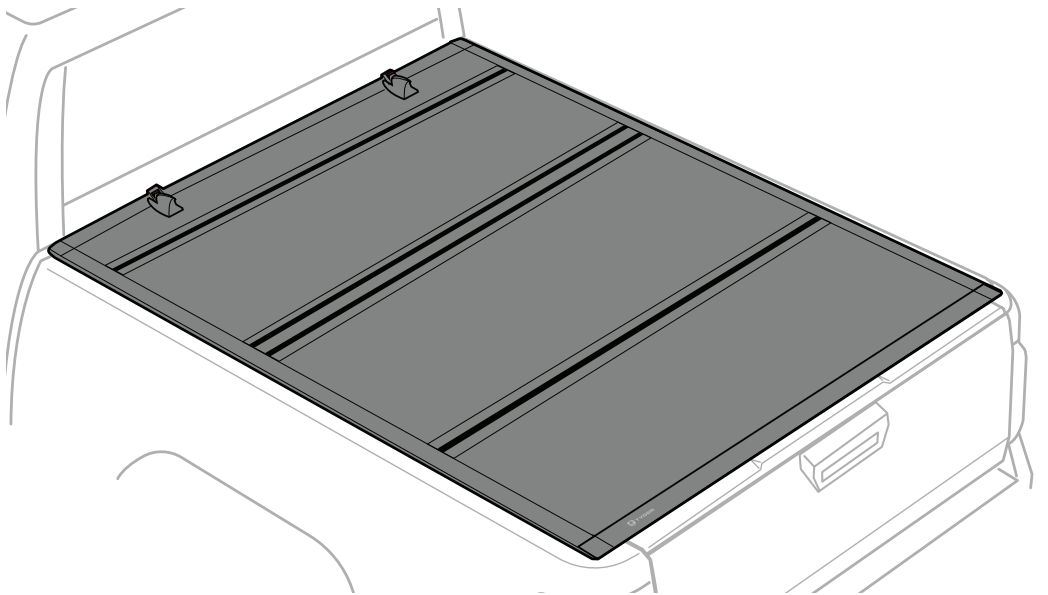


### **Before you finish**

- ✓ 1) Confirm all the locks are properly engaged. Adjust strike plate if needed (Page 12)
- ✓ 2) Seal off any leaking light with foam strip and rubber strip (Pages 2 & 13)
- ✓ 3) Carefully close the tailgate to confirm the side rails are aligned (Page 2)
- ✓ 4) Tighten all hardware

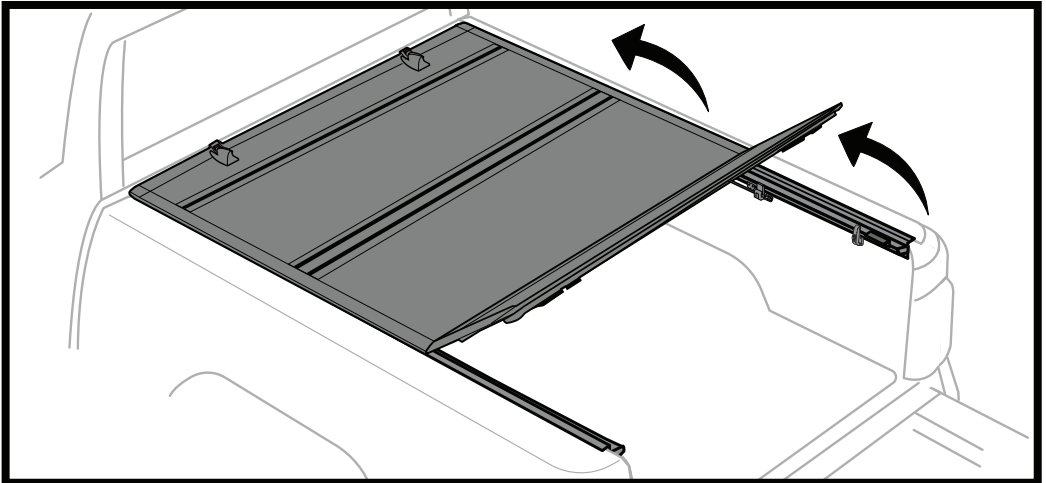
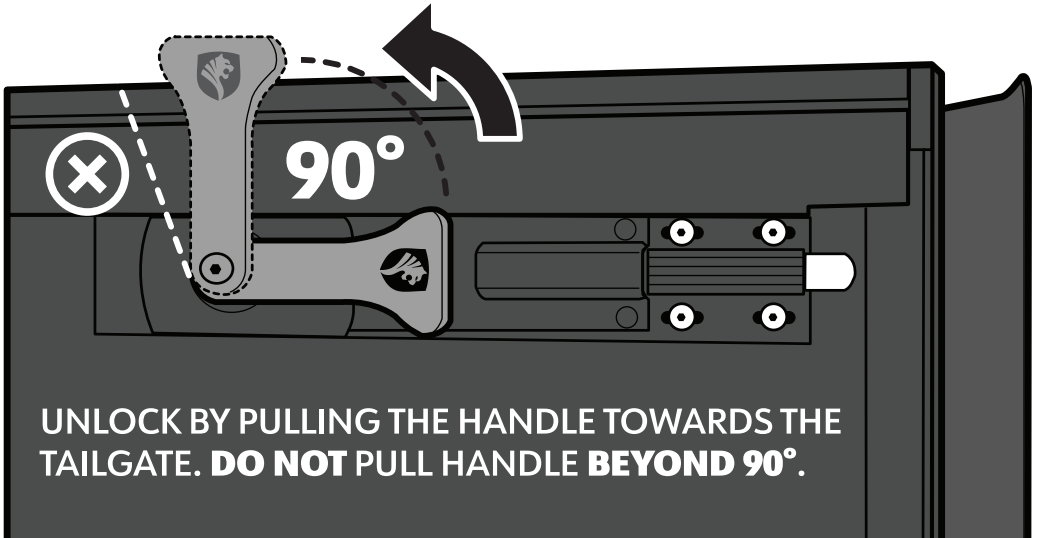


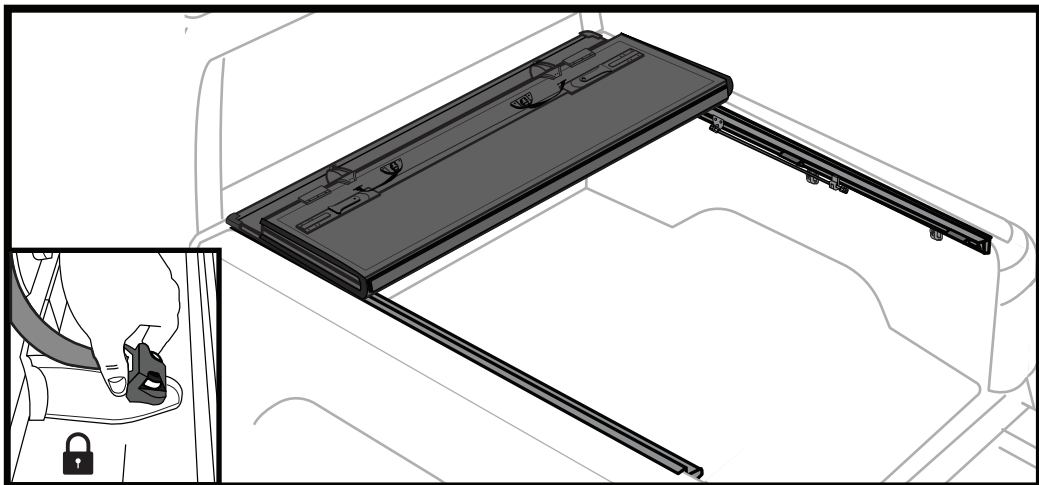
# ***INSTALLATION COMPLETE!!!***



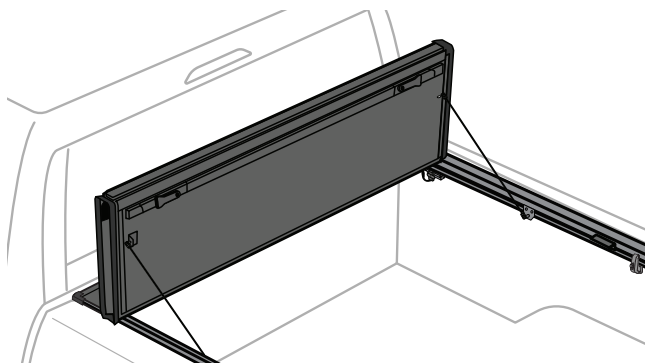
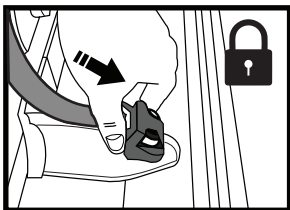
# 11 UNFOLDING THE BED COVER

## 90° THE LATCH SYSTEM





Refer to **STEP 9** on how-to  
flip up the tonneau cover  
using the Support Rods.



# 12 COMPATIBLE WITH MOST HEADACHE RACKS

