



FENDER FLARE

TG-FF8C4088

PLEASE READ AND FOLLOW THIS APPROVED INSTRUCTION CAREFULLY BEFORE INSTALLATION. FAILURE TO DO SO MAY CAUSE DAMAGE TO THE VEHICLE AND WILL INVALIDATE THE WARRANTY.

PRIOR TO INSTALLATION

- Remove contents from box. Verify all parts are present and free from any defects or damage.
- Make sure installation is done on a non-abrasive surface to avoid scratching the flare surface.
- Pre-fit each flare to the vehicle body to ensure they suit the profile of the vehicle.
- Remove existing decals and mud flaps on the vehicle that may interfere with flare installation.
- Make sure all flares and fender wheel well are clean as the presence of dirt or sand may scratch auto body paint.
- Suggest removing the tire before installation for easier access.
- Do not use any harsh abrasive detergent to clean the flare.

PAINTING

Painted flares cannot be returned. Test fit before painting. We are not responsible for any costs that may incur if flares were painted without test fitting.

- Clean surface to be painted with a good grade degreaser. Do not use lacquer thinner or any solvent based product.
- Wipe flare surface completely dry with a tack rag prior to paint.
- Application of plastic adhesion promoter for PP plastic as per your paint system manufacturer's recommendations is required.
- Use a high quality enamel or polyurethane automotive paint to paint the flares.
- Not recommend to paint the edge trim, but if desired use a flex additive.

WARNING

Dirt or debris may become lodged between flares and vehicle's fenders causing scratching and paint wear from vehicle vibration. TYGER is not responsible for any damage, and installation is done with buyer's understanding that this damage may potentially occur.

SAFETY INFORMATION

- Before driving, ensure that flare is properly secured to vehicle.
- Do not use automatic "brush-style" car wash.
- Periodically check all components for tightness.

Tools Required



1/2" Wrench



#2 Phillips Bit



Putty Knife



Utility Knife



Grease Pencil



Awl Tool



Hair Dryer

Hardware Included



[A]



[B]



[C]



[D]



[E]



[F]



[G]



[H]



[I]

DAMAGED or MISSING PARTS?

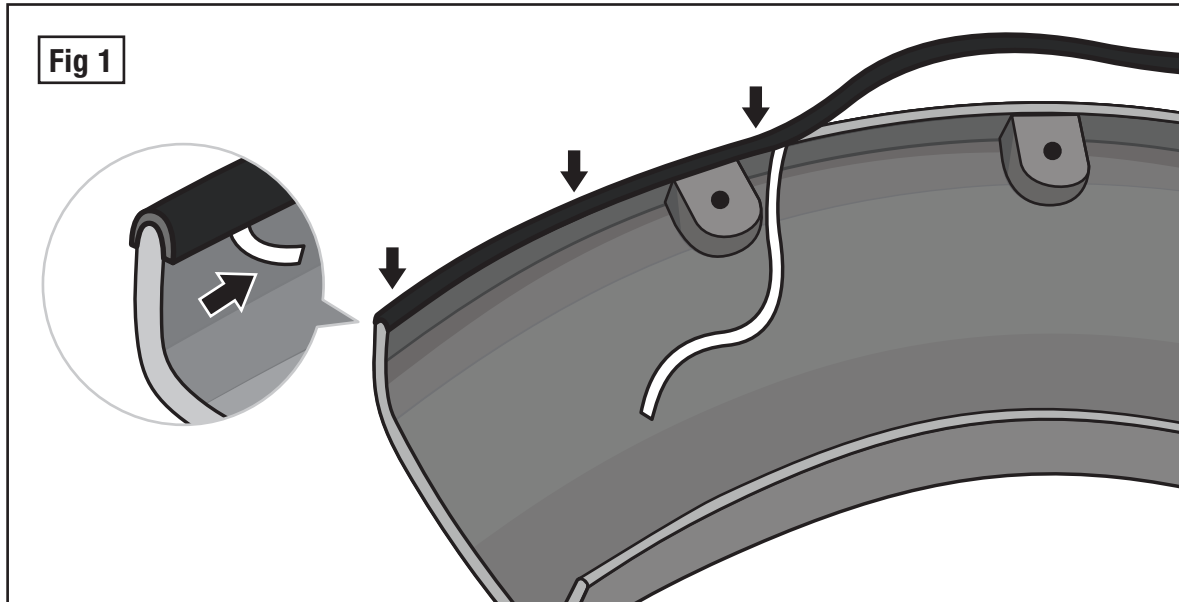
www.TygerAuto.com/Contact



EDGE TRIM INSTALLATION

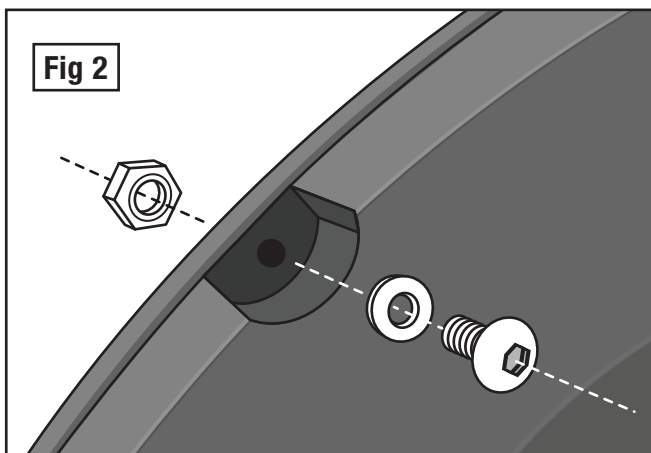
- Peel 2 inches of red backing away from one end of Edge Trim **[A]** .
- Apply Edge Trim over top edge of flare with adhesive side contacting inside edge of flare.
- Press Edge Trim into place and apply thumb pressure to ensure good adhesion, pull away red backing as you work your way around flare edge in one-foot increments. (Fig 1)

NOTE: Do not stretch Edge Trim during application.



DECORATIVE RIVET INSTALLATION

- Install Torx Bolt **[B]** with Washer **[C]** through each of the top holes around the flare and secure by using Nylock Nut **[D]** on the other side (Fig 2). Tighten by using socket wrenches and the supplied Torx Bit **[E]**. Do not over-tighten as this may damage the flare.

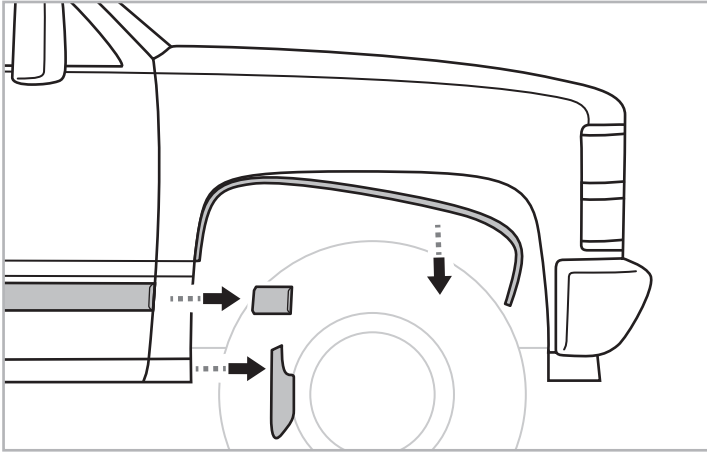


IMPORTANT: Do not drill holes to the vehicle body as rivets are decorative and fasten only to the flare. Do not attempt to use the bolts to fasten flare to vehicle body.

EXTRA NOTES

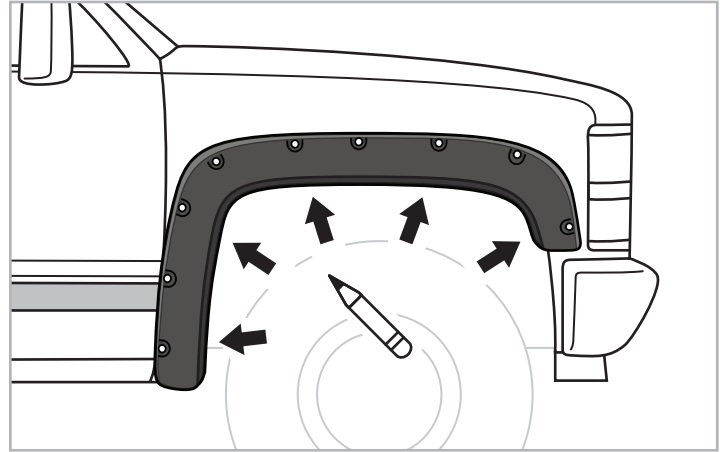
- Prior to installation, please use rust-resistant paint or rust primer on exposed metals to prevent rusting. Spray inner fender wells with undercoating after flare installation.
- Some modifications may be needed to maintain a minimum of 4" clearance between flares and exhaust pipes to avoid exhaust gases discharge directly onto fender flares.
- For vehicle with large tires, care must be taken to ensure tires do not make contact with flares.

Front Passenger Side Installation

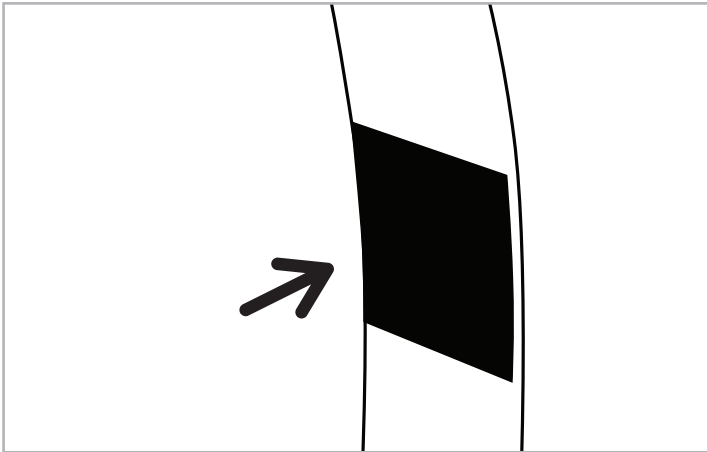


STEP 1: Remove factory fender trim, body side molding, and mud flaps if installed.

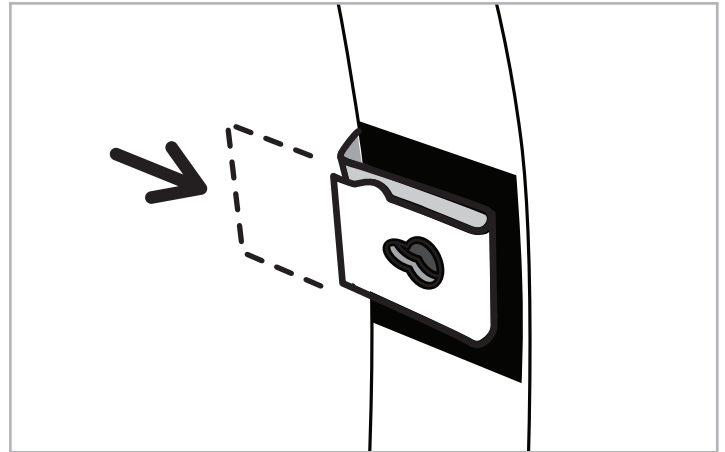
NOTE: For easier removal of molding piece, hair dryer can be used to loosen the adhesive.



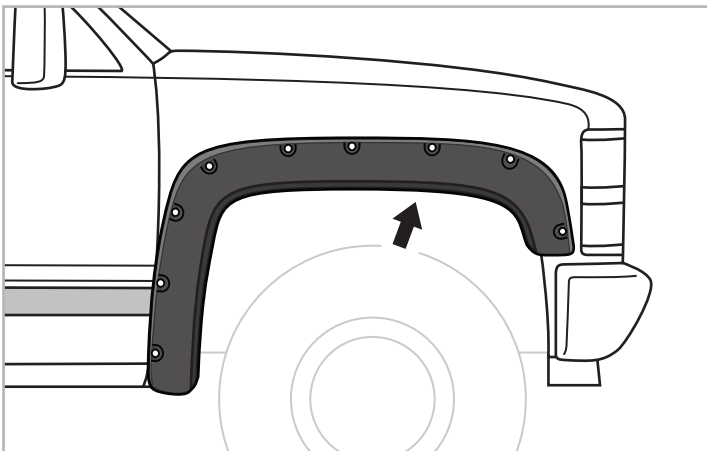
STEP 2: Position flare in place. With a grease pencil, mark 5 locations using holes in flare as guide. Refer to Step 3 for more details.



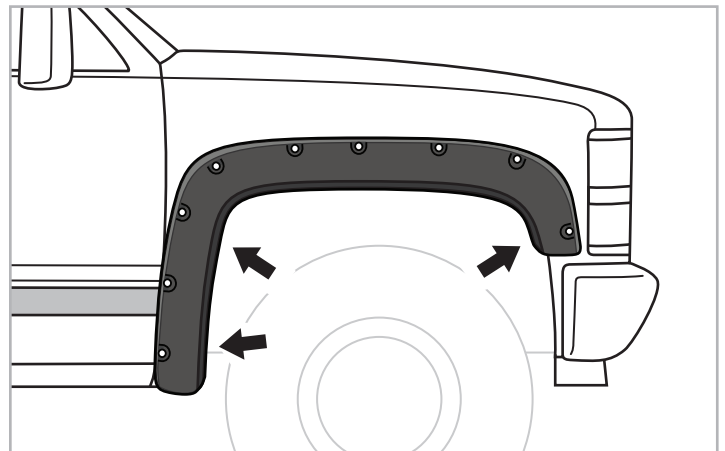
STEP 3: Remove flare. Stick the supplied Tab [F] over marks made in Step 2 by aligning one side of the Tab with the inside edge of the fender lip. (Tab may extend over the other side.)



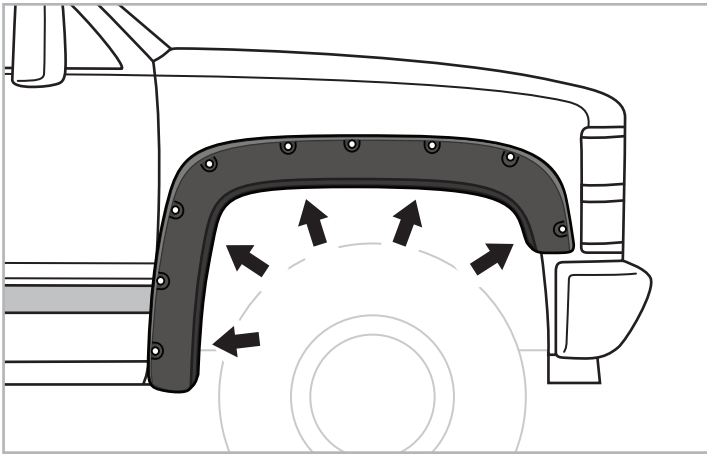
STEP 4: Slide a supplied S-clip [G] over each Tab installed in Step 3.



STEP 5: Reposition flare. Install 2 supplied PH Metal Screws [H] through holes in flare, and into S-clips for top 2 locations. Do not tighten.

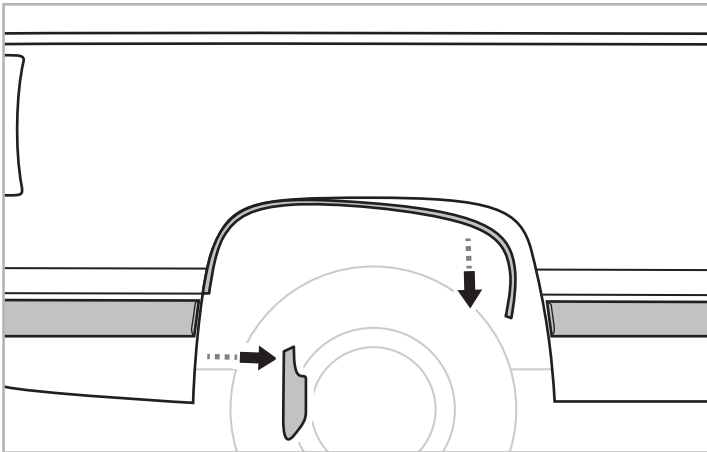


STEP 6: Install 3 supplied PH Metal Screws [H] for remaining 3 mounting locations. Do not tighten.

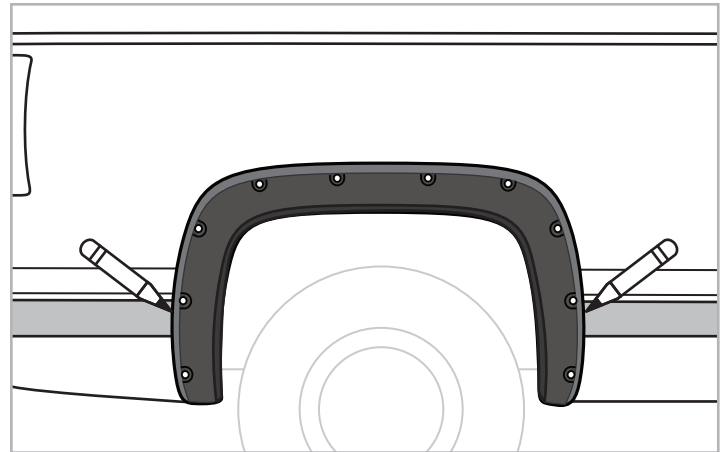


STEP 7: Press flare firmly against vehicle body. Tighten all screws in the same order as they were installed.

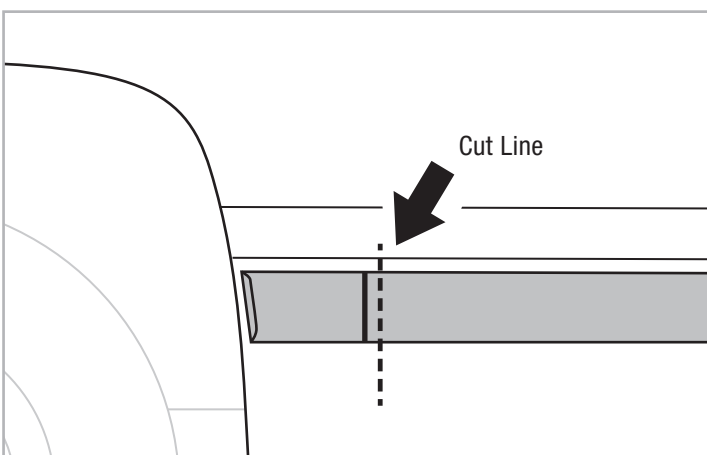
Rear Passenger Side Installation



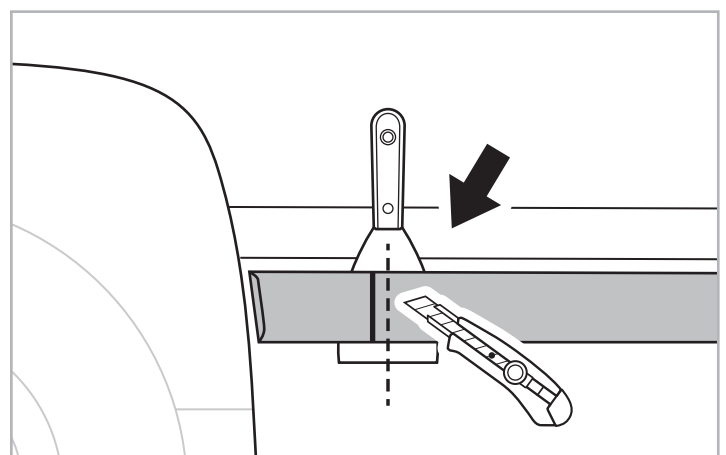
STEP 8: Remove factory fender trim and mud flaps if installed.



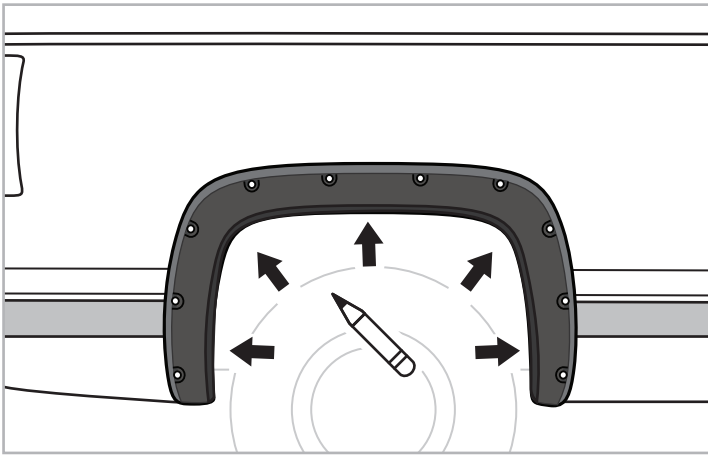
STEP 9: Position flare in position. With a grease pencil, mark a line on the body side molding using the edge of the flare as guide.



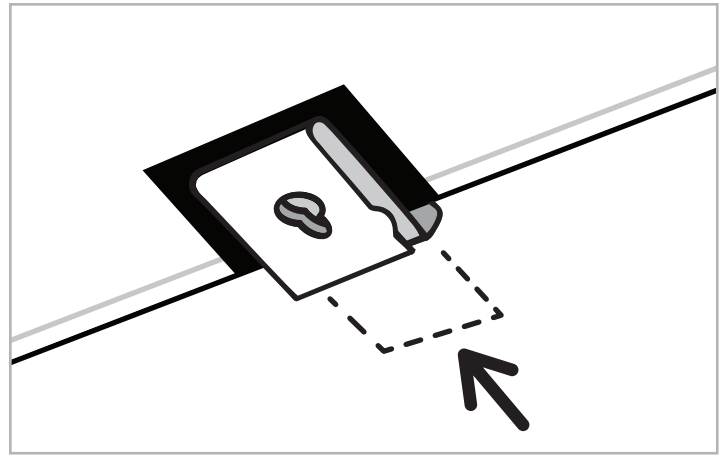
STEP 10: Remove flare, mark another line just 1/4" further out of the line made in Step 9. Then, with a blow dryer, heat this section of the molding to loosen the adhesive.



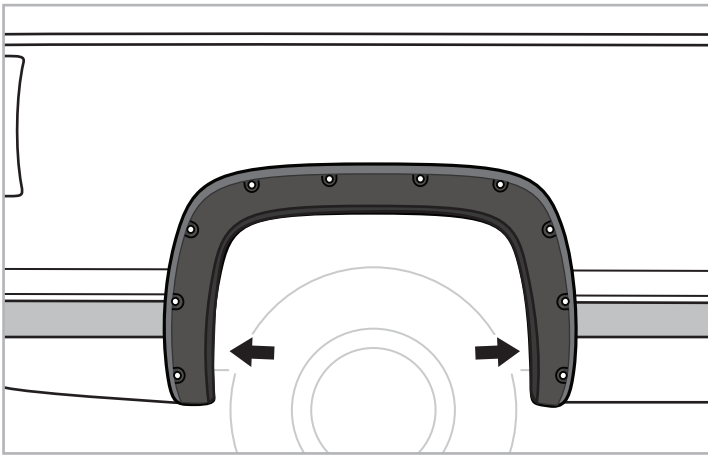
STEP 11: Slide a putty knife between the molding and the vehicle body. Then, with a utility knife, cut at the line made in Step 10. Sand molding edge if needed.



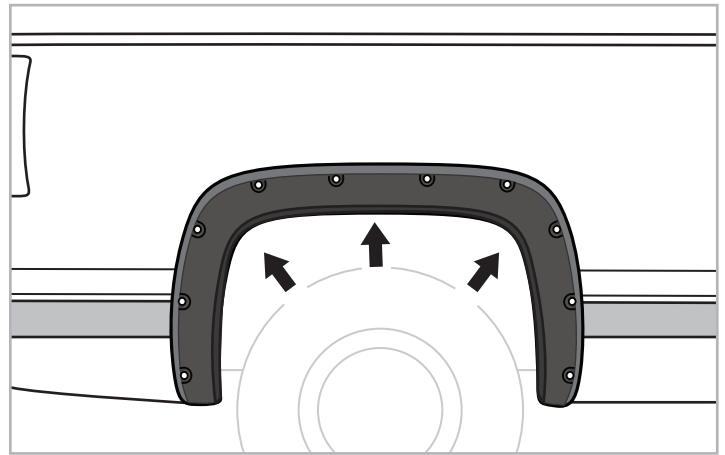
STEP 12: Reposition flare. With a grease pencil, mark 5 locations using holes in flare as guide. Remove flare.



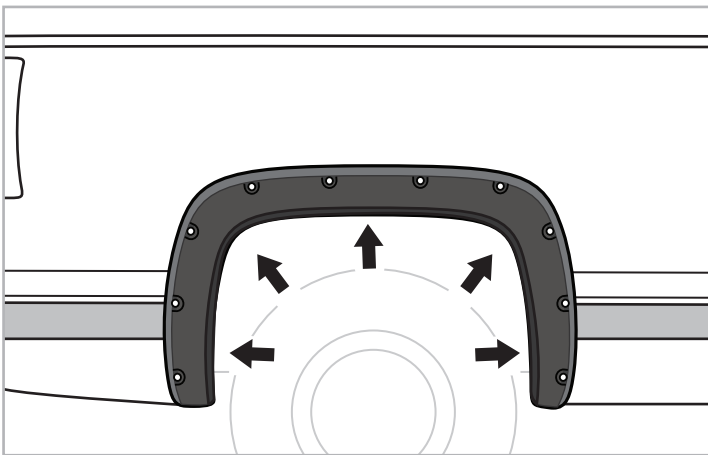
STEP 13: Stick the supplied Tab **[F]** over marks made in Step 12 by aligning the edge of the Tab with the inside edge of the fender lip. Then, slide the supplied S-clip **[G]** over each Tab.



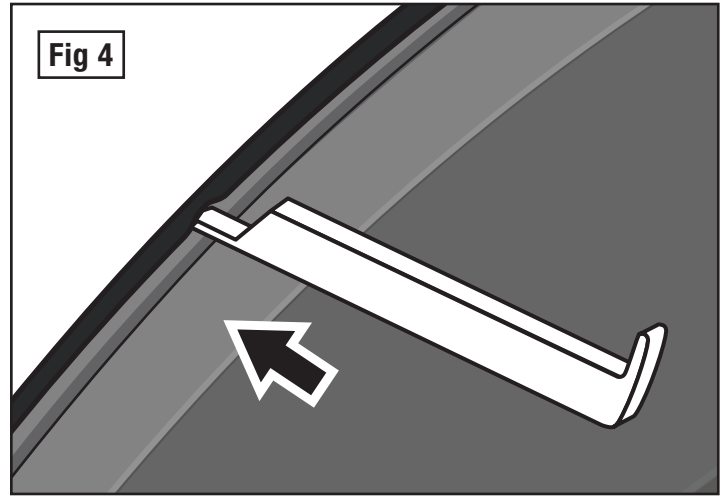
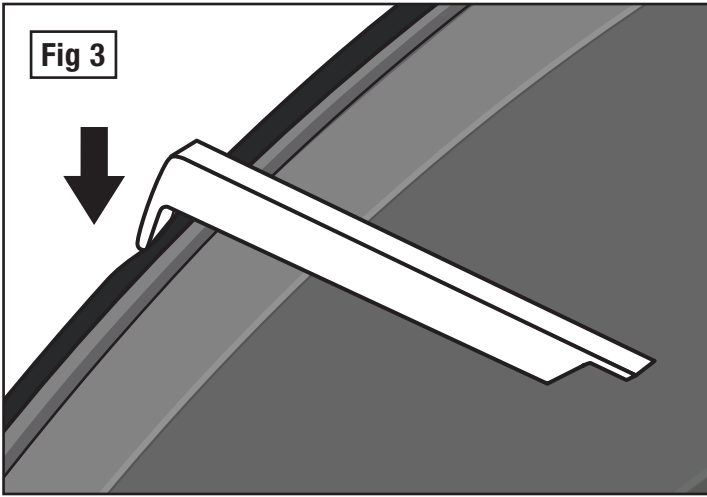
STEP 14: Reposition flare. Install 2 supplied PH Screws **[H]** through holes in flare and into the S-clips. Do not tighten.



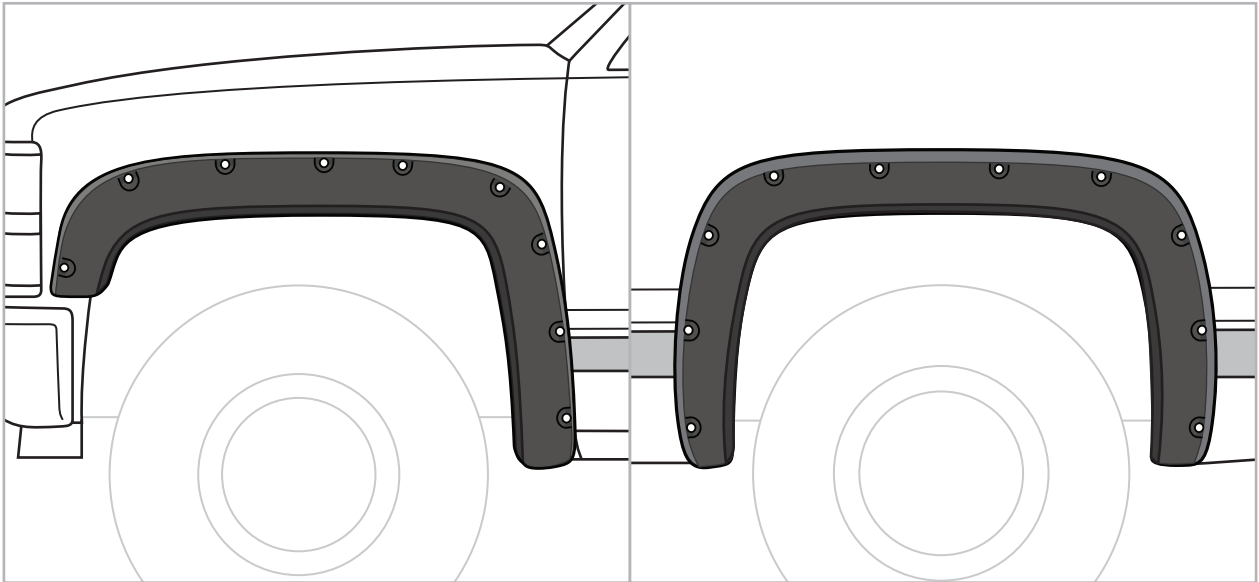
STEP 15: Ensure proper flare fitment. Install 3 more supplied PH Screws **[H]** at the top 3 locations. Do not tighten.



STEP 16: Push firmly on the flare, tighten all screws in the same order as installation.

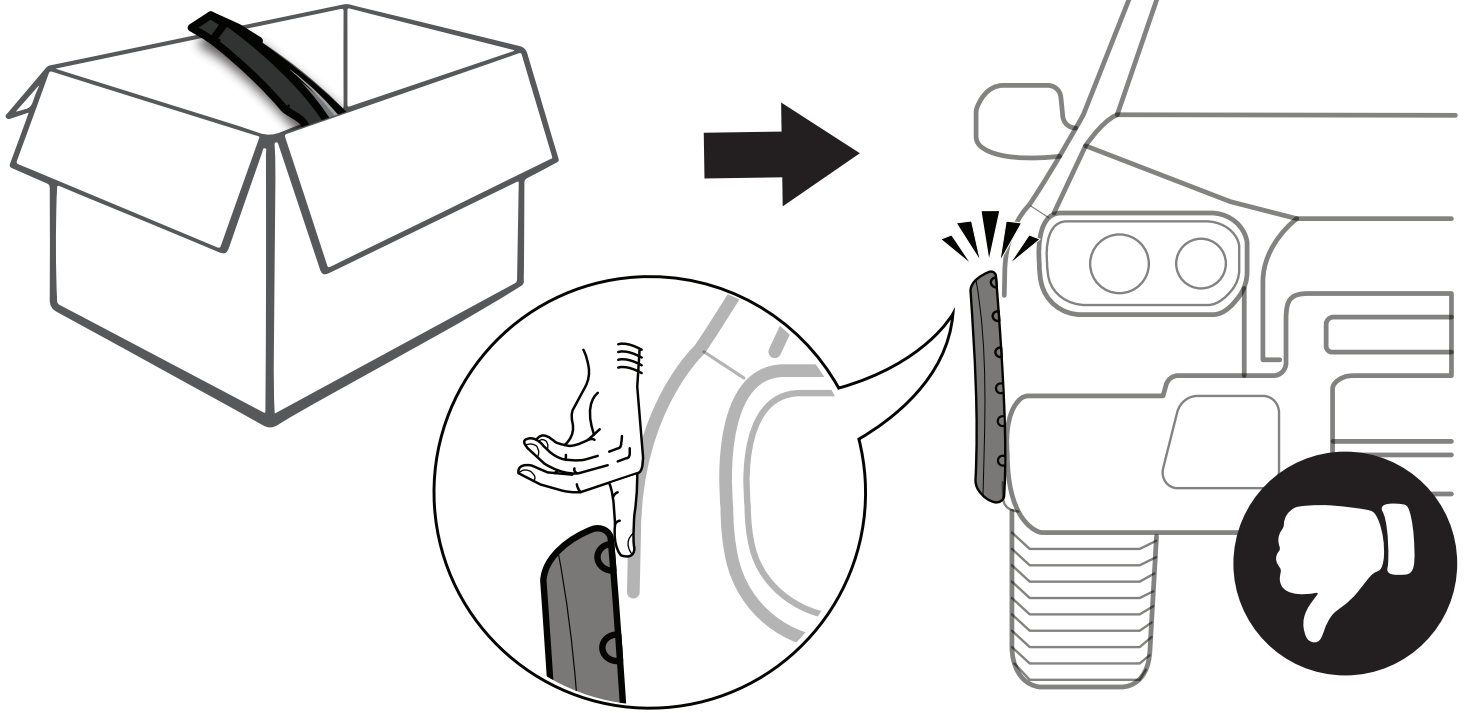


STEP 17: If needed use supplied tool [I] to trim outer edge (Fig 3) and inner edge (Fig 4) by inserting tool ends then sliding around the entire edge trims from one end to the other as shown in above pictures.

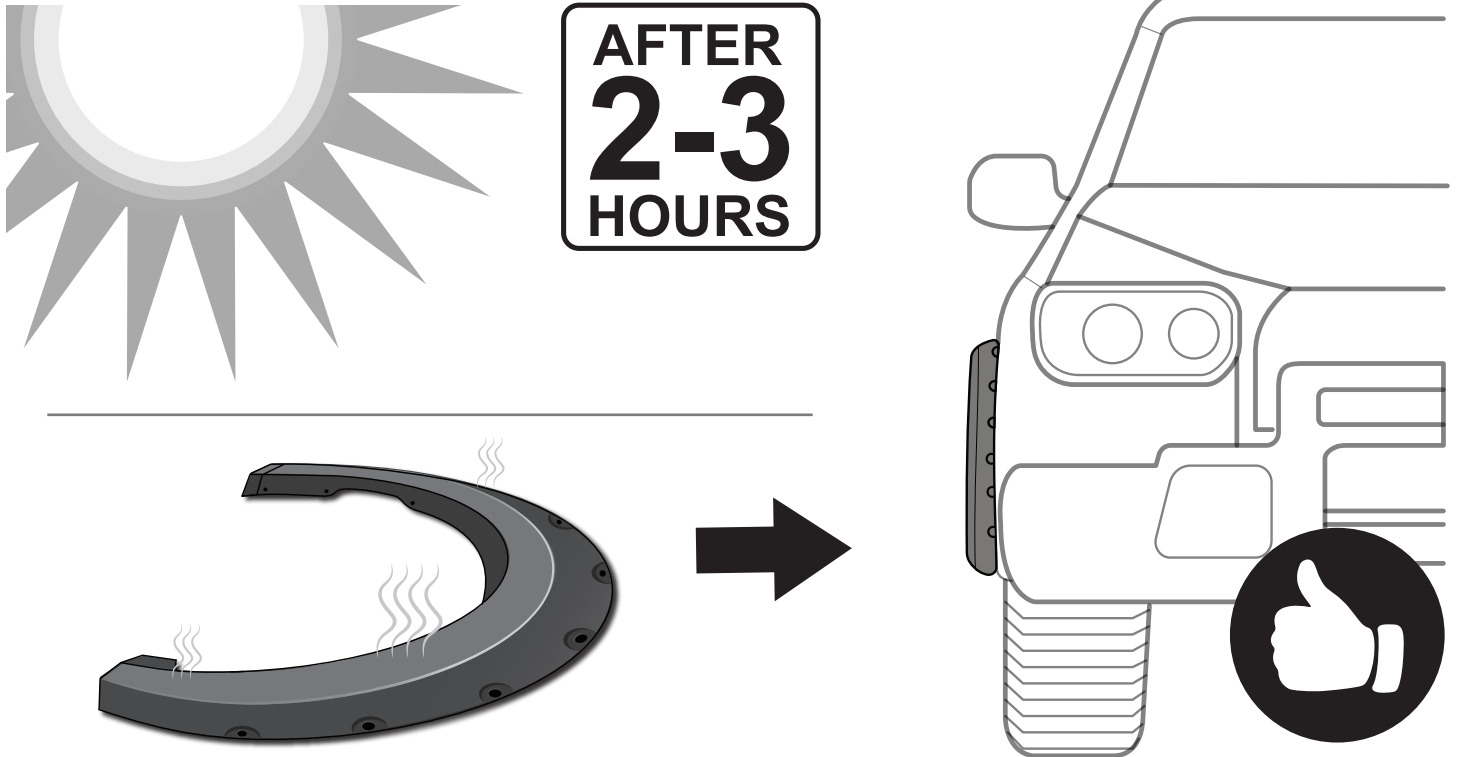


STEP 18: Repeat Step 1-17 for driver side installation.

FITMENT OR GAP ISSUE?



SOLUTION!



*In winter, heat gun or hair dryer may be used instead.