



TYGER®

TYGER GUARD™

TG-GD6D60658

CONTACT US:

1-866-340-3038

PHONE



LIVE CHAT

BEFORE INSTALLATION

READ INSTRUCTIONS CAREFULLY BEFORE STARTING INSTALLATION. REMOVE CONTENTS FROM BOX AND VERIFY ALL PARTS ARE PRESENT. FAILURE TO IDENTIFY DAMAGE BEFORE INSTALLATION COULD LEAD TO A REJECTION OF ANY CLAIM. IF MISSING PARTS OR ANY DAMAGE FOUND, PLEASE TAKE A PICTURE FOR THE CLAIM PURPOSE. TO FILE YOUR CLAIM, PLEASE VISIT:

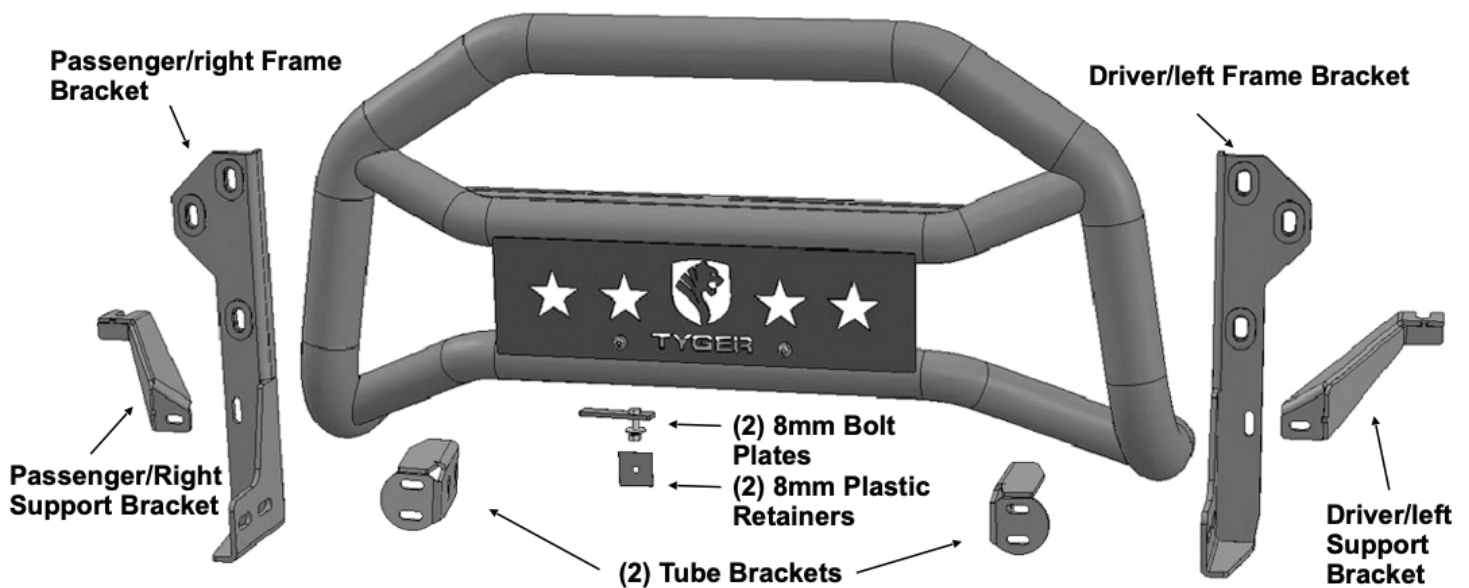
WWW.TYGERAUTO.COM/CONTACT

TORQUE VALUES

Fastener Size	Class 8.8 Torque (ft-lbs)	Class 10.9 Torque (ft-lbs)
6mm	6-7	6-7
8mm	15-16	22-23
10mm	31-32	44-45
12mm	54-55	78-79
14mm	87-88	125-126

- x1** Tyger Guard
- x1** Driver/Left Tube Mounting Bracket
- x1** Passenger/Right Tube Mounting Bracket
- x1** Driver/Left Frame Bracket
- x1** Passenger/Right Frame Bracket
- x1** Driver/Left Support Bracket
- x1** Passenger/Right Support Bracket
- x2** 8-1.25mm Bolt Plates
- x2** 8mm Plastic Retainers
- x4** 12-1.75mm x 35mm Hex Bolts
- x8** 12mm x 32mm OD x 3mm Flat Washers
- x4** 12mm Lock Washers
- x4** 12-1.75mm Hex Nuts
- x4** 8-1.25mm x 35mm Hex Bolts
- x6** 8-1.25mm x 30mm Hex Bolts
- x14** 8mm x 24mm OD x 2mm Flat Washers
- x12** 8mm Lock Washers
- x4** 8mm Hex Nuts
- x2** 6-1.0mm x 20mm Button Head Combo Bolts
- x1** 4mm Wrench

Parts List



PROCEDURE:

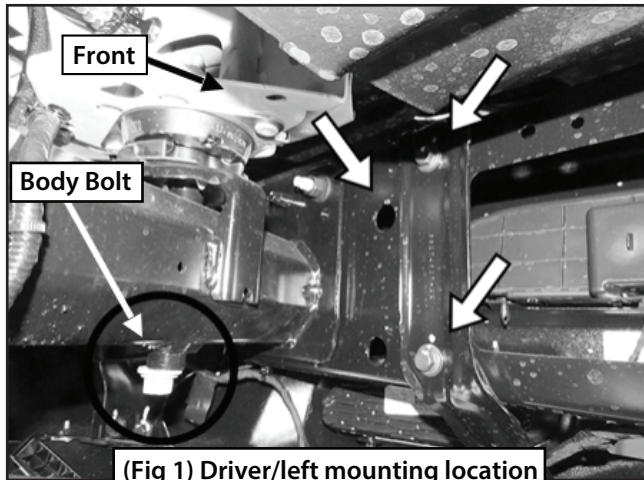
REMOVE CONTENTS FROM BOX. VERIFY ALL PARTS ARE PRESENT. READ INSTRUCTIONS CAREFULLY BEFORE STARTING INSTALLATION. CUTTING IS REQUIRED. ASSISTANCE IS RECOMMENDED. INSTALLATION MAY INTERFERE WITH FRONT BUMPER MOUNTED SENSORS.

STEP 1

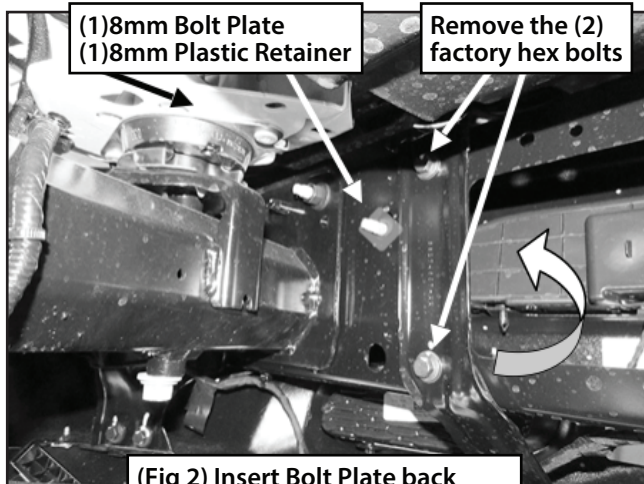
Start installation under the front bumper. Carefully remove the plastic lower air dam attached to the bottom of the bumper. DO NOT remove the electronic "active air dam" behind the bumper if equipped. Pay close attention to the type and location of all factory hardware for reinstallation.

STEP 2

Move to the back of the driver/left side of the bumper (Fig 1). Select (1) 8mm Bolt Plate and (1) 8mm Plastic Retainer. Insert the Bolt Plate into the space between the outer bumper cover and bumper bracket (Fig 2). Insert the threaded part of the Bolt Plate back through the hole in the bumper bracket. Thread the Plastic Retainer onto the Bolt Plate to hold it in place. **NOTE:** The Plastic retainer is used to help hold the Bolt Plate in place but use is not mandatory for Bracket installation.



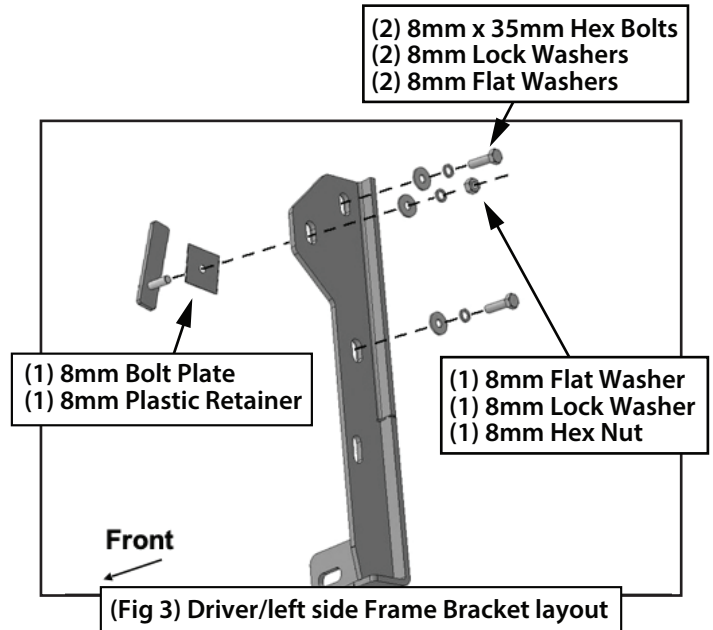
(Fig 1) Driver/left mounting location pictured from behind bumper



(Fig 2) Insert Bolt Plate back through bumper bracket (arrow)

STEP 3

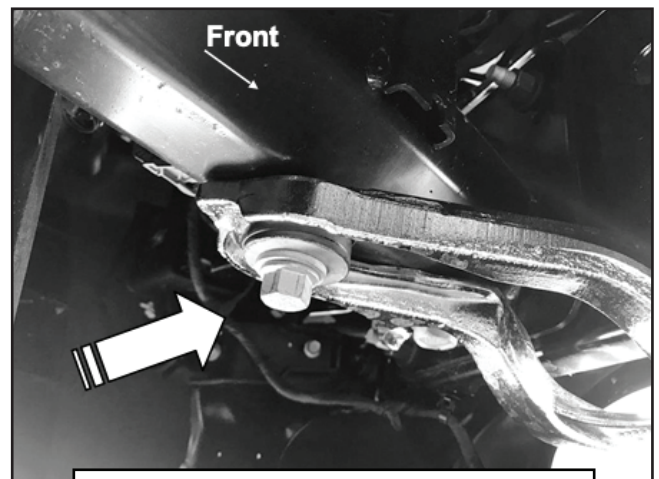
Next, Remove the (2) factory hex bolts attaching the bumper to the bumper bracket (Fig 2). Select the driver/left Frame Mounting Bracket. Attach the Bracket to the back of the bumper with the included longer (2) 8mm x 35mm Hex Bolts, (2) 8mm Lock Washers and (2) 8mm Flat Washers (Fig 3). Attach the Bracket to the 8mm Bolt Plate with (1) 8mm Flat Washer, (1) 8mm Lock Washer and (1) 8mm Hex Nut. DO NOT fully tighten hardware at this time.



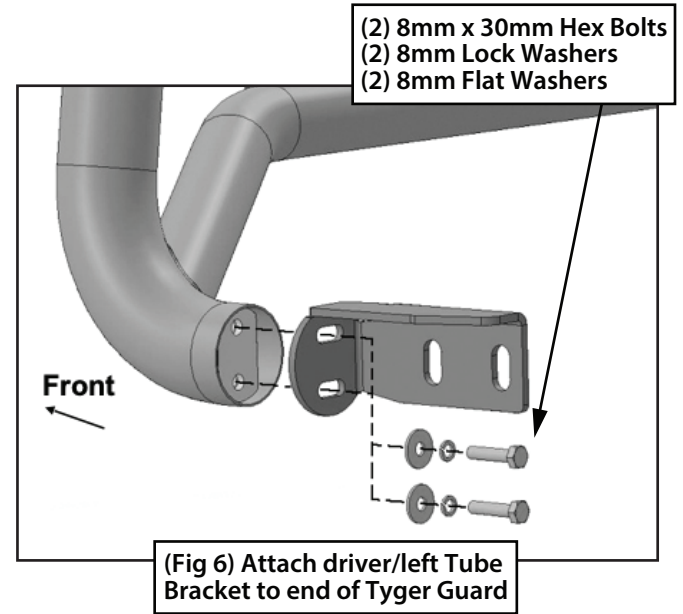
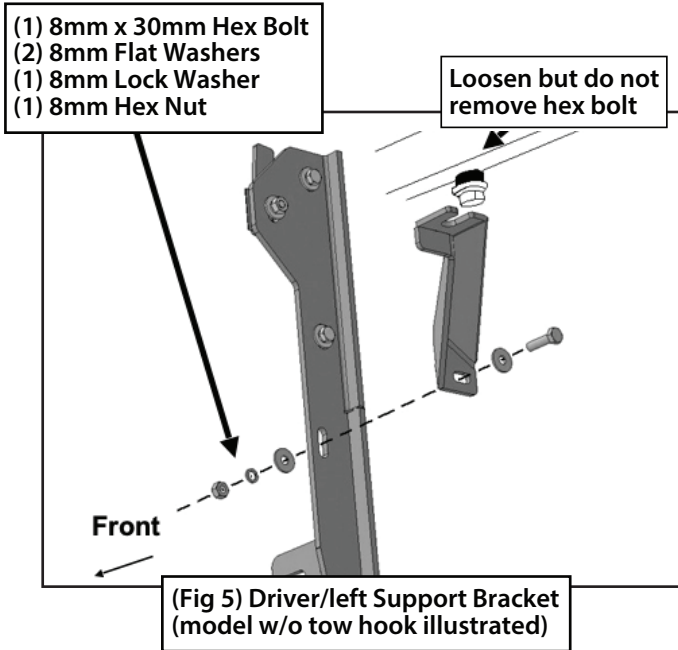
(Fig 3) Driver/left side Frame Bracket layout

STEP 4

Loosen but do not remove the hex bolt from the bottom of the frame (Figs 1 & 4). Select the driver/left Support Bracket (Fig 5). Insert the slotted end of the Bracket under the hex bolt.



(Fig 4) Models with tow hook, loosen rear bolt (arrow) and slide top of Support Bracket between head of bolt and large flat washer-no spacer required



a. On models with tow hooks, slide the Bracket between the head of the hex bolt and the large flat washer (Fig 4). DO NOT tighten hex bolt at this time.

b. On models without tow hooks, slide the Bracket between the steel sleeve on the frame and the head of the hex bolt (Figs 1 & 5).

STEP 5

Line up the lower end of the Support Bracket with the slot in the Frame Bracket. Attach the Support Bracket to the Frame Bracket with (1) 8mm x 30mm Hex Bolt, (2) 8mm Flat Washers, (1) 8mm Lock Washer and (1) 8mm Hex Nut (Fig 5).

STEP 6

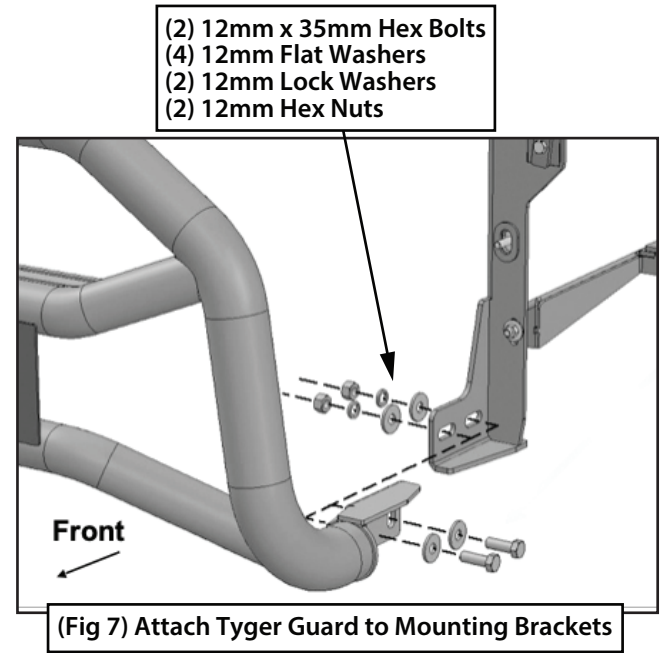
Repeat **STEPS 2-5** to install the passenger/right Frame and Support Bracket.

STEP 7

Next, select the driver/left Tube Mounting Bracket (Fig 6). Attach the Bracket to the end of the Tyger Guard with (2) 8mm x 30mm Hex Bolts, (2) 8mm Lock Washers and (2) 8mm Flat Washers. Leave hardware loose at this time. Repeat this STEP to install the passenger/right side Tube Bracket.

STEP 8

With help, position the Tyger Guard with Tube Brackets up to the outside of the Mounting Brackets. Use the included (4) 12-1.75mm x 35mm Hex Bolts, (8) 12mm Flat Washers, (4) 12mm Lock Washers and (4) 12mm Hex Nuts to attach the Tyger Guard and Tube Brackets to the Mounting Brackets (Fig 7). DO NOT tighten hardware.

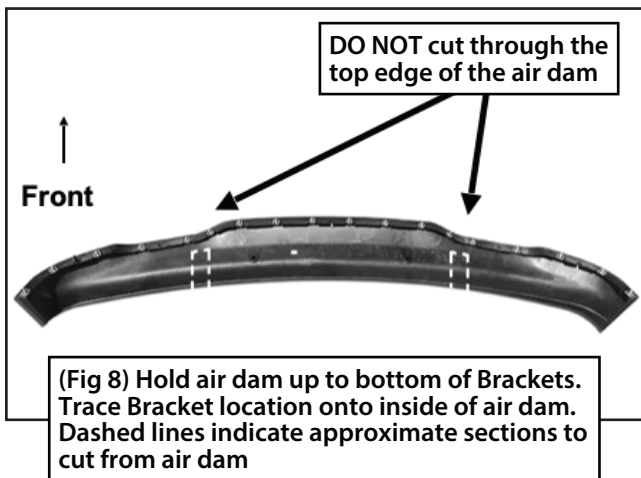


STEP 9

Stand back from the vehicle and check to see that the Tyger Guard is centered and level on the vehicle and adjust as necessary. Fully tighten first the hardware securing the Mounting Brackets to the vehicle. Next tighten only the (4) 8mm Hex Bolts securing the Tube Brackets to the Tyger Guard as described in **STEP 7**. **DO NOT** tighten the 12mm hardware attaching the Tube Brackets to the Mounting Brackets. Temporarily remove the Tyger Guard with Tube Brackets attached.

STEP 10

Hold the plastic air dam up to the bumper and align it with the mounting points. Mark the location of the Mounting Brackets onto the back of the air dam (Fig 8). Cut an approximately 1-1/2" wide slot out of the bottom of the air dam. **NOTE:** The size of the slot is an estimate only and may vary due to different factory designs for the air dam and front bumper covers. **IMPORTANT:** To avoid weakening the air dam, do not cut the slot any larger than necessary to clear Brackets only. **DO NOT** cut through the top edge or mounting points (Fig 8). Make several small cuts first and check the fit often for a clean installation.

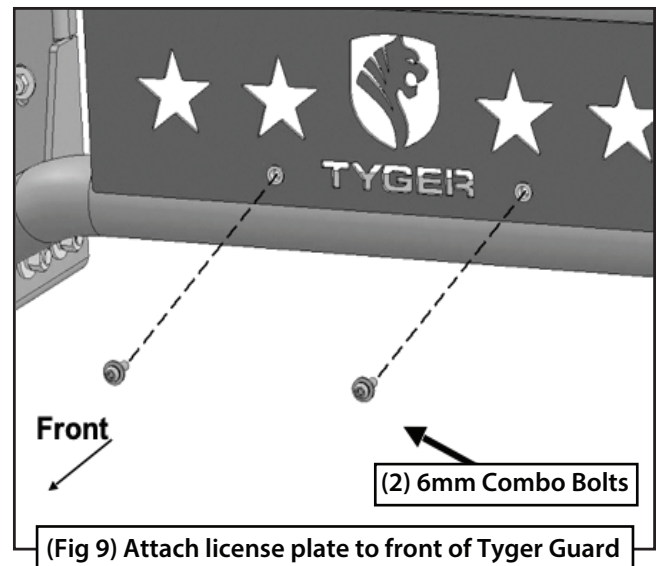


STEP 13

Level and adjust the Tyger Guard and fully tighten all hardware.

STEP 14

Attach license plate to front of Tyger Guard with the included (2) 6mm Combo Bolts (Fig 9).



STEP 15

Do periodic inspections to the installation to make sure that all hardware is secure and tight.



Installation pictured without the air dam for instruction purposes only

STEP 11

Reinstall the air dam using the factory hardware. **NOTE:** It may be necessary to loosen the Bracket hardware to reinstall the air dam.

STEP 12

Reinstall the Tyger Guard as described in **STEP 8**.