



TYGER[®]

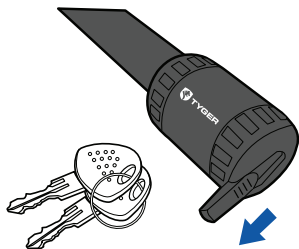
HITCH LOCK

**FOR CLASS III IV V
TRAILER HITCHES**

www.tygerauto.com

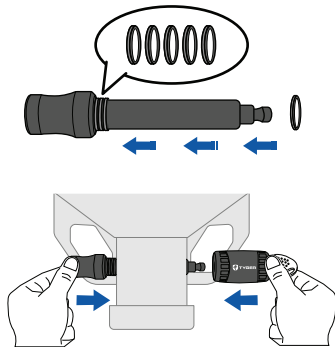
STEP 1

- Slide to open the key cover.



STEP 3

Optional: To help reduce rattling, apply the provided rubber o-rings as needed to fill any gaps between the receiver and the pin.

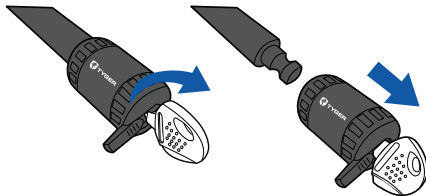


STEP 2

- Insert the key the turn clockwise.
- Pull out the hitch pin.

ATTENTION:

Key **CANNOT** be pulled out when it is in the unlocked position.



IMPORTANT

Key are unique and **CANNOT** be replaced. Please keep the spare key in a safe place. In an emergency, please contact your local locksmith to access the lock.

