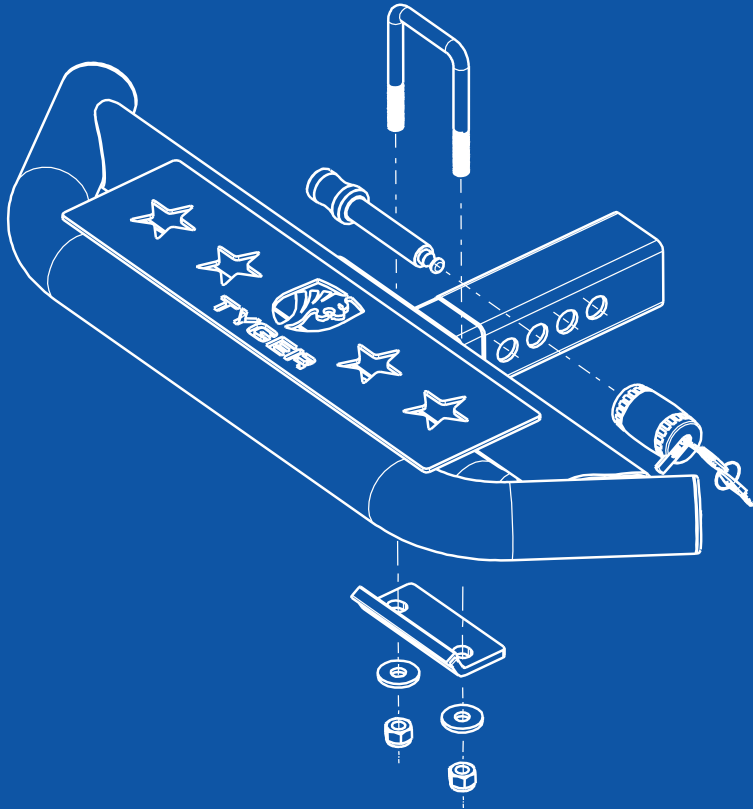


NOTE

Verify all parts are present and free from any defects or damage before installing. (Please refer to the parts illustrated below)



TYGER®

HITCH ARMOR®
TG-HS8U81238

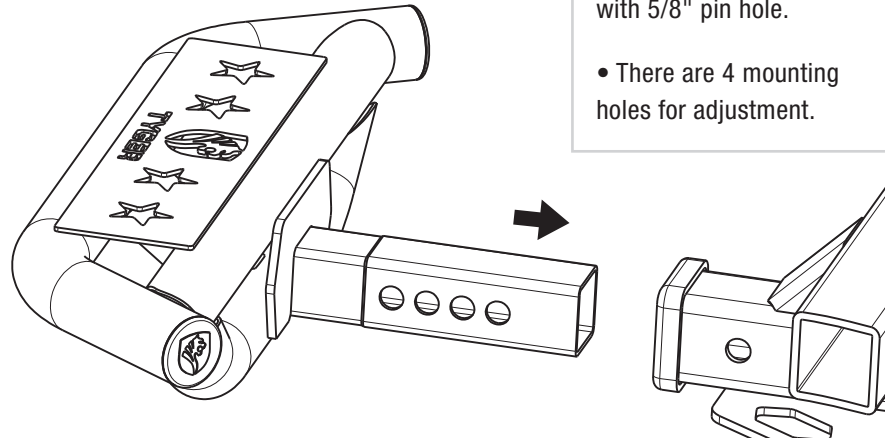
CONTACT SUPPORT

www.TygerAuto.com/contact



STEP 1

Insert the Hitch Armor into the hitch receiver.

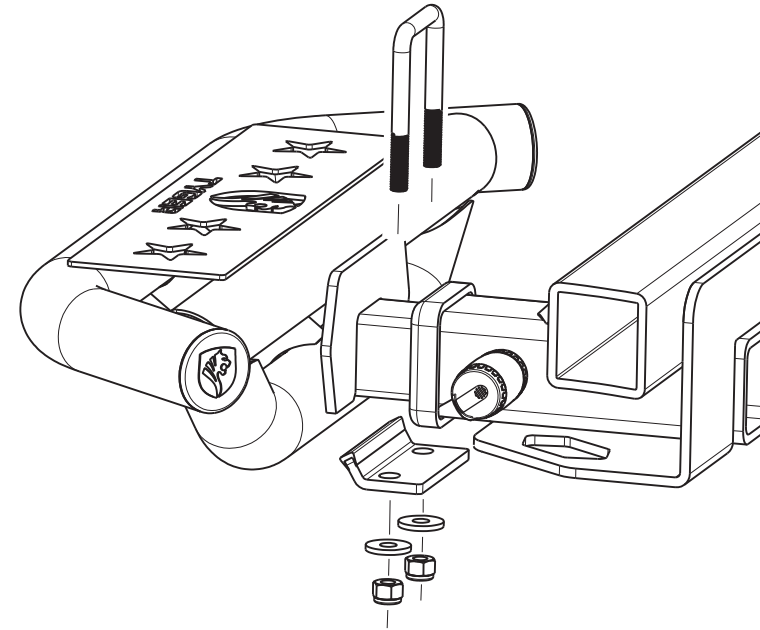


NOTE

- It will only fit 2" receiver with 5/8" pin hole.
- There are 4 mounting holes for adjustment.

STEP 3

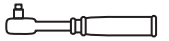
The installation of the anti-rattle bracket is recommended.



Tools Needed (Not Included)



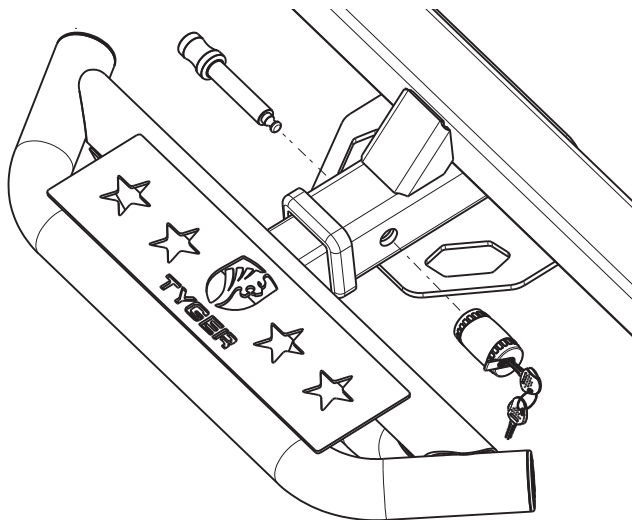
+



Torque
15ft-lbs

STEP 2

Insert the TYGER hitch pin lock after the Hitch Armor is adjusted to the desired mounting hole.



DONE

