



## TYGER RIDER®

TG-SS2C35047

Scan to Download the Latest Digital Version



### BEFORE INSTALLATION

READ INSTRUCTIONS CAREFULLY BEFORE STARTING INSTALLATION. REMOVE CONTENTS FROM BOX AND VERIFY ALL PARTS ARE PRESENT. FAILURE TO IDENTIFY DAMAGE BEFORE INSTALLATION COULD LEAD TO A REJECTION OF ANY CLAIM. IF MISSING PARTS OR ANY DAMAGE FOUND, PLEASE TAKE A PICTURE FOR THE CLAIM PURPOSE. TO FILE YOUR CLAIM, PLEASE VISIT: [WWW.TYGERAUTO.COM/CONTACT](http://WWW.TYGERAUTO.COM/CONTACT)

### TORQUE VALUES

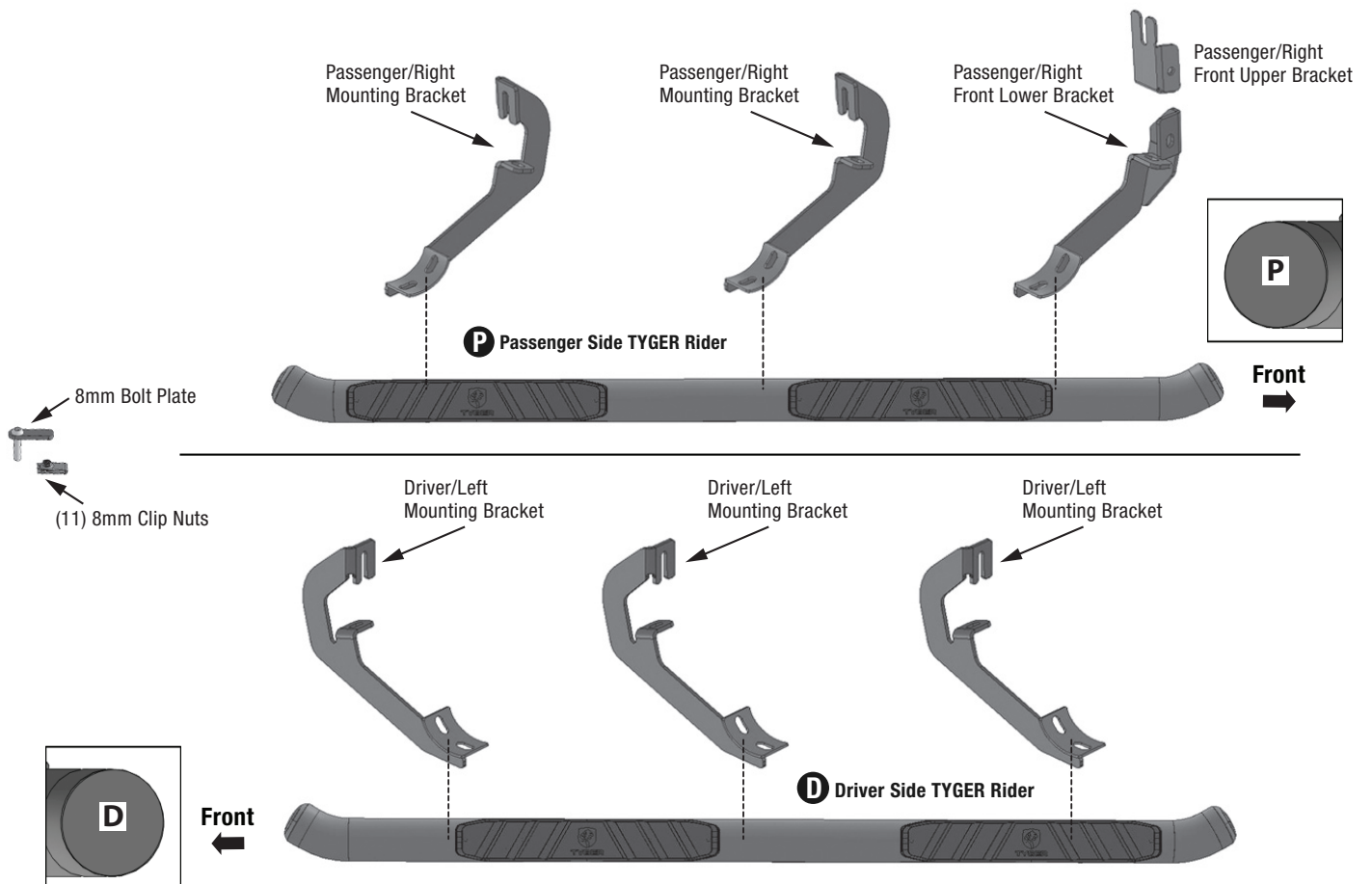
Fastener Size	Class 8.8 Torque (ft-lbs)	Class 10.9 Torque (ft-lbs)
6mm	6-7	6-7
8mm	15-16	22-23
10mm	31-32	44-45
12mm	54-55	78-79
14mm	87-88	125-126

- x1** Driver/Left Sidebar **D**
- x1** Passenger/Right Sidebar **P**
- x1** Passenger/Right Front Upper Bracket
- x1** Passenger/Right Front Lower Bracket
- x5** Mounting Brackets (use for left or right)
- x1** 8-1.25mm Bolt Plate
- x11** 8-1.25mm Clip-On Nuts
- x13** 8-1.25mm x 25mm Hex Bolts
- x13** 8mm x 24mm x 2mm Flat Washers
- x13** 8mm Lock Washers
- x1** 8mm Nylon Lock Nut
- x12** 8-1.25mm X 25mm Combo Hex Bolts

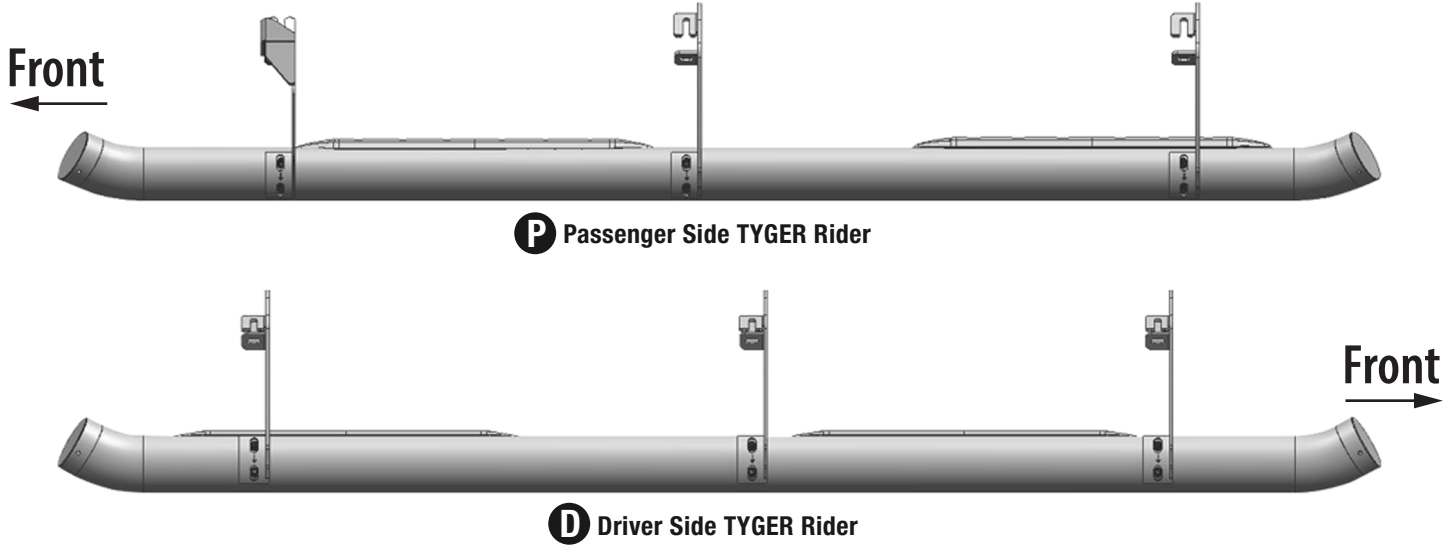
### Parts List

### Top View

**ATTENTION:** Refer to **D** and **P** labelling on the side of the tubes to determine Driver and Passenger Rider



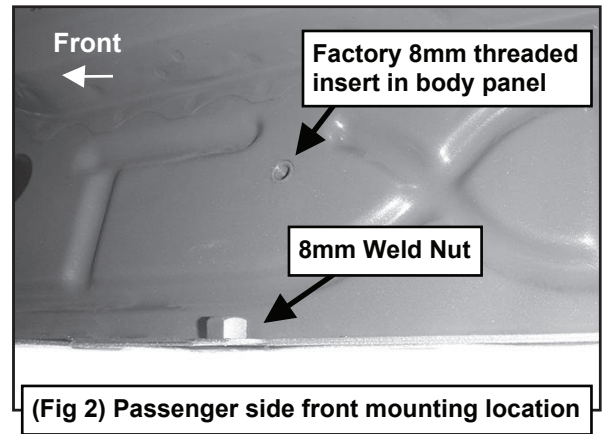
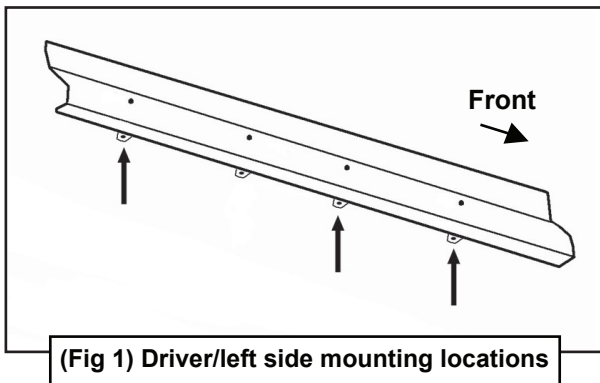
## Bottom View



**NOTE:** REMOVE CONTENTS FROM BOX. VERIFY ALL PARTS ARE PRESENT. READ INSTRUCTIONS CAREFULLY BEFORE STARTING INSTALLATION. ON MODELS WITH DEF TANK, SELECT A FLAT, LEVEL AREA FOR INSTALLATION. MAY REQUIRE CUTTING.

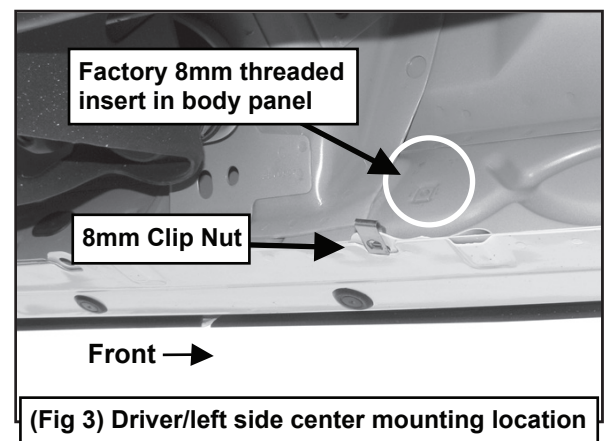
### STEP 1

Start the installation under the driver/left side of the vehicle. Locate the 4 tabs along the bottom edge of the body, (pinch weld). Mounting Brackets will attach to 3 of the 4 mounting tabs, (Fig 1). Directly above each tab is a top mounting location on the side of the body panel. Hold a Bracket up in place to help determine the mounting holes to use along the body.



- *Flat tab on pinch weld with factory installed weld nut:*  
Thread hex bolt into weld nut from the backside-down to clear paint from threads, (Fig 2).

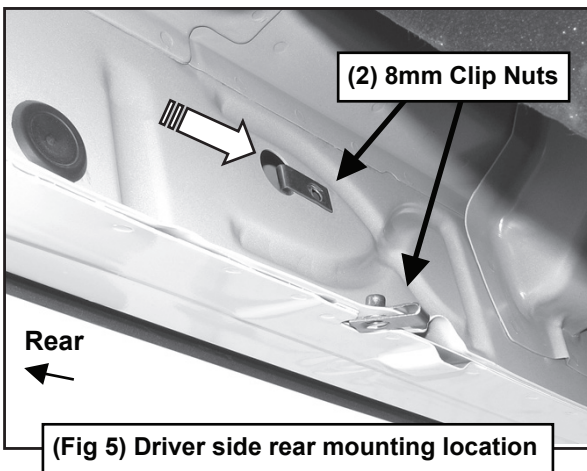
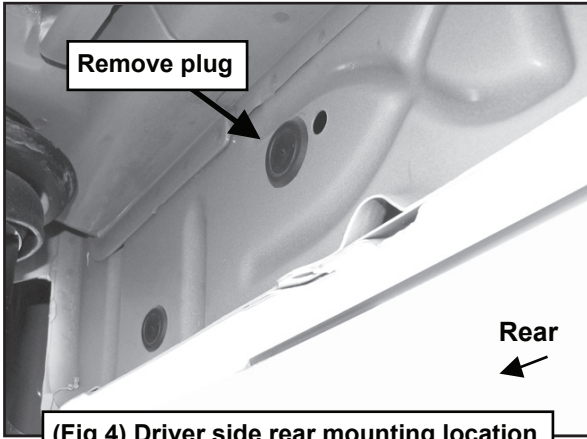
- *Flat tab on pinch weld with hole:*  
Select (1) 8mm Clip Nut. Slide the Clip Nut over the tab with the nut facing up behind the tab, (Figs 3-5, 7). Line up threaded nut with hole in the tab. Repeat for each mounting location.



### STEP 2

Determine the correct procedure for your model year and each Bracket location.

**Bottom mounting location on the edge of the pinch weld.**



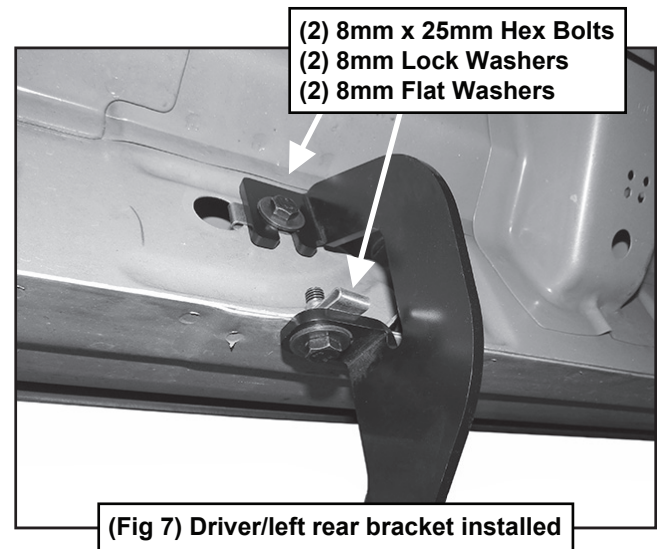
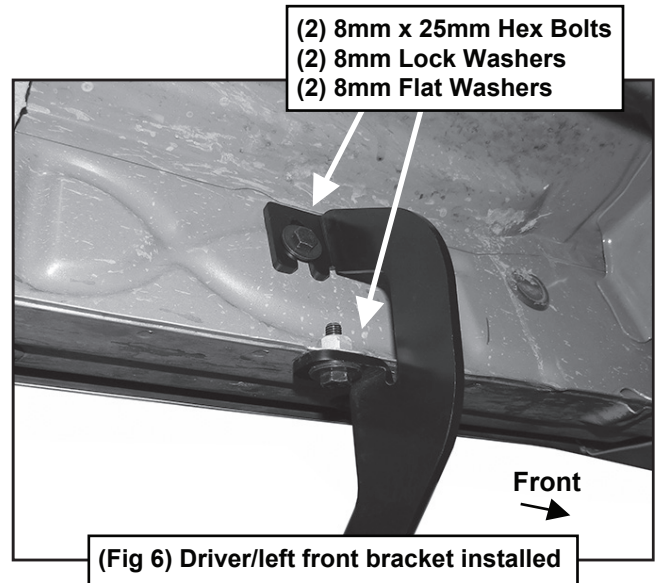
Locate top mounting location on the back side of the body panel.

- *Models with factory installed threaded insert in body panel:*  
Thread 8mm Hex Bolt into threaded insert to clear paint as required, (Figs 2-3).
- *Large and small hole in side of body panel:*  
Remove the rubber plug from the larger hole, (Fig 4). Select (1) 8mm Clip Nut. Slide the Clip Nut into the larger hole. Line up the threaded nut with the smaller hole, (Fig 5).

### STEP 3

Select (1) Mounting Bracket.

**NOTE:** (5) Brackets are universal and will fit all left and the center and rear locations on the passenger/right side. See illustration above to help determine correct Bracket. Attach the Mounting Bracket to the Clip Nuts and/or the factory threaded holes with (2) 8mm Hex Bolts, (2) 8mm Lock Washers and (2) 8mm Flat Washers, (Figs 6-7). DO NOT tighten hardware.



### STEP 4

Move to the 2nd mounting location along the body panel and repeat **STEPS 2-3** to install the center Bracket.

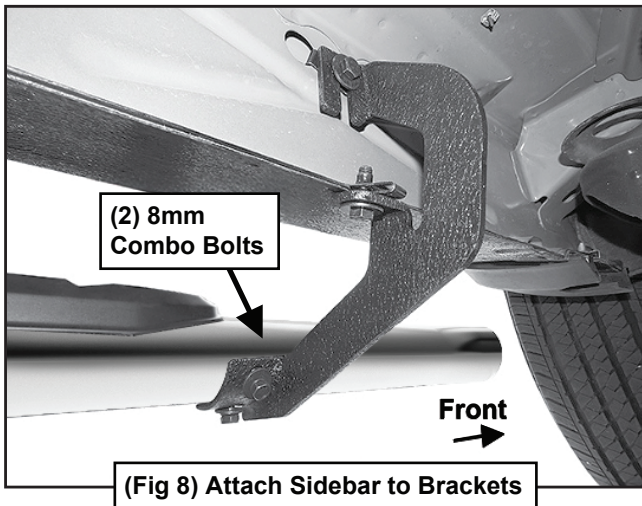
### STEP 5

Move to the last mounting location along the body panel and repeat **STEPS 2-4** to install the rear Bracket, (Fig 7).

## STEP 6

Select the Driver/left Sidebar. Carefully position the Sidebar onto the (3) Mounting Brackets.

**IMPORTANT:** DO NOT slide, (front to back or rotate), the Sidebar on the Brackets or damage to the finish may result. Attach the Sidebar to the (3) Brackets with (6) 8mm Combination Hex Bolts, (Fig 8). DO NOT fully tighten at this time.



(Fig 8) Attach Sidebar to Brackets

## STEP 7

Level and adjust the Sidebar and fully tighten all hardware.

## STEP 8

Move to the passenger side of the vehicle. Determine if the vehicle is equipped with a plastic diesel exhaust fluid (DEF) tank, (Figs 10-11).

*Models without DEF tank, skip to STEP 9.*

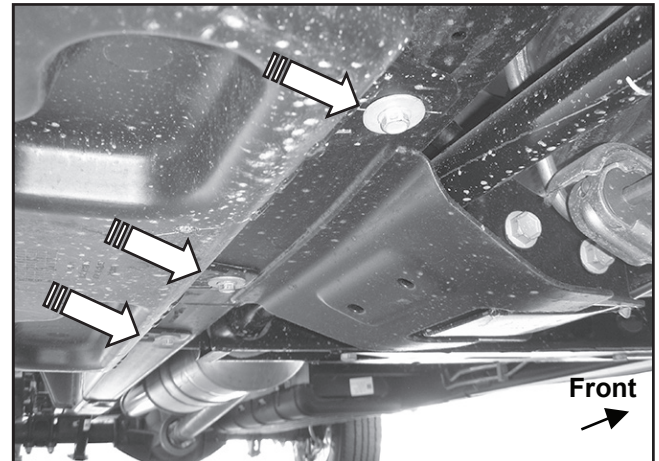
**Models with DEF tank:** The tank sits close to the side of the body. With specialized tools, the passenger front upper and lower Bracket can be installed but room is very limited. Determine model year of vehicle before proceeding.

• *Up to 2016 models:*

It may be easier to drop the tank down to access the inner body side panel for upper Bracket installation. Tank will not need to be removed, only dropped down for access to mounting location.

**IMPORTANT:** If tank is full, it will be very heavy and assistance is highly recommended to avoid injury or damage to the vehicle or the tank. It is recommended that installation is performed when the DEF tank is low on fluid before dropping the tank.

a. On models with plastic lower tray under the tank, remove the (3) hex bolts attaching the tray to the frame, (Fig 9), and remove the tray.

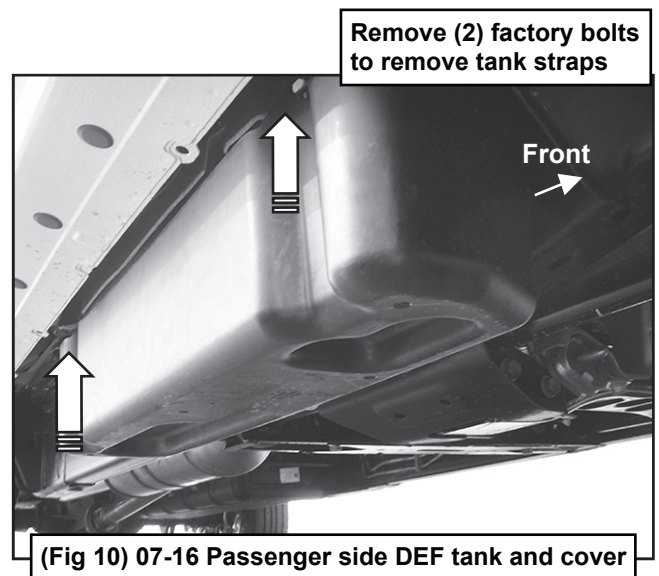


(Fig 9) 07-19 Passenger side front pictured with DEF tank cover. Remove (3) hex bolts to remove cover

b. Release the tank filler hose. Release the plug for the sending unit on the top of the tank.

c. Support the tank with a floor jack. Place a smooth flat surface, (wooden block for example), between the floor jack and the tank to avoid damaging the plastic tank. DO NOT push up on the tank; only support the weight of the tank with the jack.

d. Remove the (2) bolts securing the tank straps to the vehicle, (Fig 10). Tilt the straps to release from the brackets. Slowly lower the tank until the top of the tank is almost visible. Use blocks or stands to support the tank while installing the front Upper and Lower Brackets.



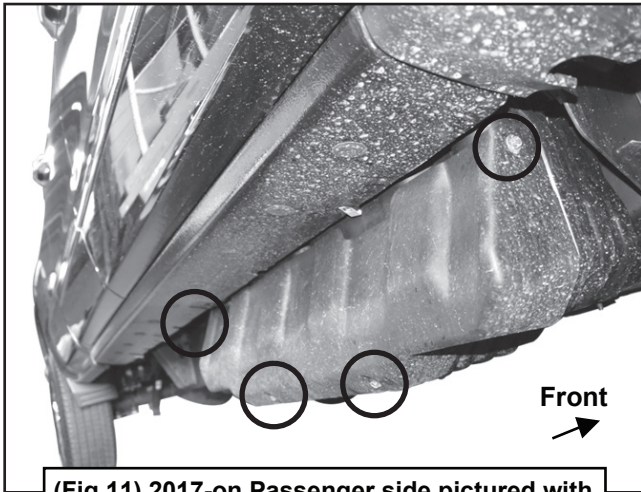
(Fig 10) 07-16 Passenger side DEF tank and cover

e. Proceed to **STEP 9.**

• *On 2017-on models:*

Remove the (4) hex bolts attaching plastic cover to DEF tank, (Fig 11) and remove plastic cover, (Fig 19).

**NOTE:** On 2017-on 25-3500 models, only remove the plastic cover from the DEF tank. DO NOT lower or remove the DEF tank and proceed to **STEP 9**.



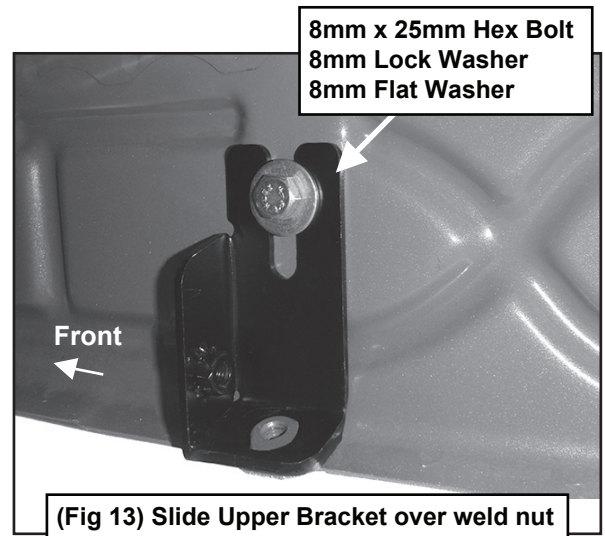
(Fig 11) 2017-on Passenger side pictured with DEF plastic tank cover. Remove (4) hex bolts to remove plastic cover

**STEP 9**

Locate the first tab on the edge of the pinch weld. Select the Upper Bracket, (Fig 12). Repeat **STEPS 2-3** to attach the top of the passenger/right front Upper Bracket to the side of the body panel, (Fig 13). DO NOT tighten hardware at this time.



(Fig 12) Passenger/right Front Upper Bracket (all models)



(Fig 13) Slide Upper Bracket over weld nut if equipped-also see Fig 2

**STEP 10**

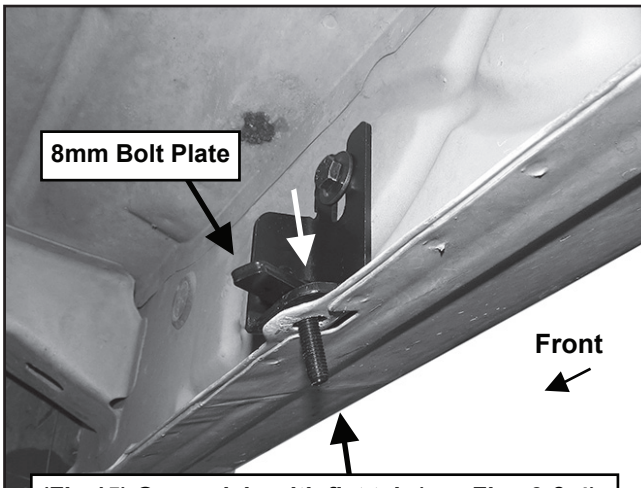
Line up the hole in the bottom of the Upper Bracket with the hole in the tab on the pinch weld.

**a. Models with a weld-nut:** Slide the Bracket over the weld-nut, (Fig 13). Attach the Lower Bracket to the bottom of the body and weld-nut with (1) 8mm x 25mm Hex Bolt, (1) 8mm Lock Washer and (1) 8mm Flat Washer, (Fig 16). Leave loose at this time.

**b. Models with flat tab and hole:** Insert the 8mm Bolt Plate down through the hole in the Upper Bracket and mounting tab, (Figs 14-15). Attach the Lower Bracket to the bottom of the body and Bolt Plate with (1) 8mm Flat Washer and (1) 8mm Nylon Lock Nut, (Fig 16). Leave loose at this time.



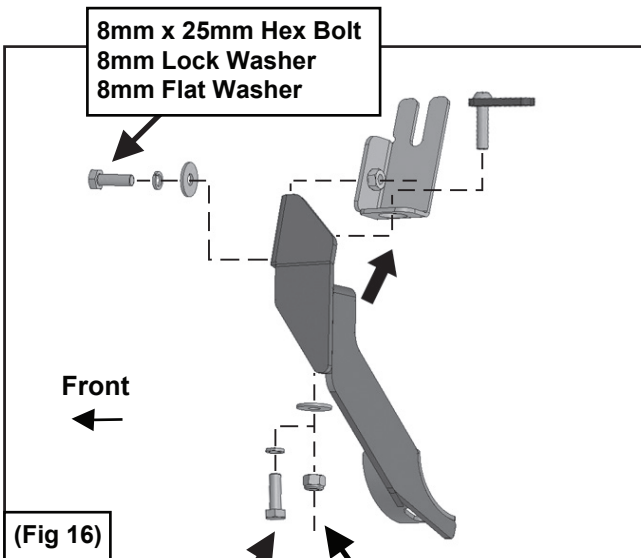
(Fig 14) 8mm x 35mm Bolt Plate



8mm Bolt Plate

Front

(Fig 15) On models with flat tab (see Figs 3 & 4), insert 8mm Bolt Plate (Fig 14) down through Upper Bracket and mounting tab



8mm x 25mm Hex Bolt  
8mm Lock Washer  
8mm Flat Washer

Front

(Fig 16)

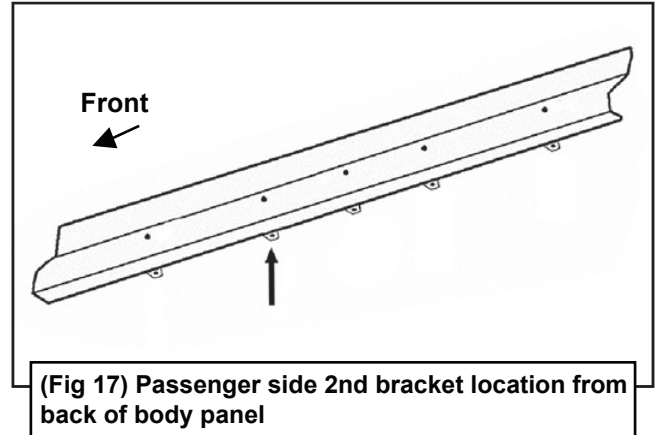
Models with weld nut on tab (see Fig. 13) use:  
8mm x 25mm Hex Bolt  
8mm Lock Washer  
8mm Flat Washer

On models with flat tab and 8mm Bolt Plate (see Fig. 15) use:  
8mm Flat Washer  
8mm Nylon Lock Nut to attach Lower Bracket to Bolt Plate

## STEP 12

Repeat **STEPS 1-4** for the passenger/right side center, (Fig17), and rear Bracket installations.

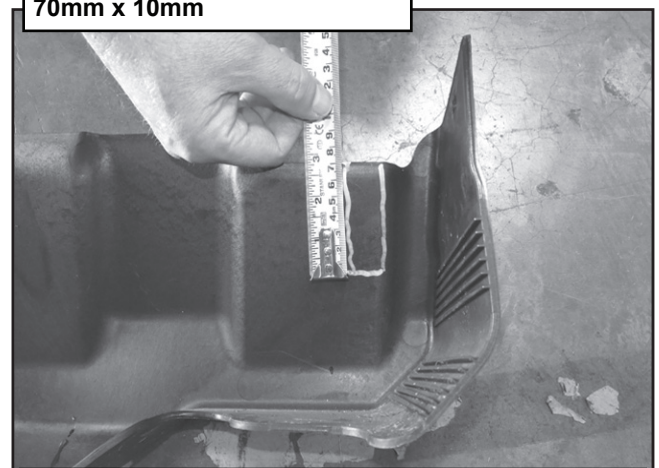
**NOTE:** Cradles on Brackets installed on passenger side will face forward.



(Fig 17) Passenger side 2nd bracket location from back of body panel

**2017-on 25-3500 DEF tank models:** Hold the DEF cover in place and mark the center Bracket location onto the cover, (Figs 17-18). Use a sharp knife or hacksaw blade to carefully cut a slot in the plastic cover to clear the center Bracket as necessary, (Fig 19). Remove as little plastic as possible.

mark pictured is approximately 70mm x 10mm

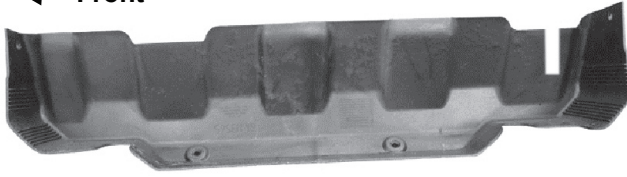


(Fig 18) 2017-on Passenger side DEF cover marked for trimming

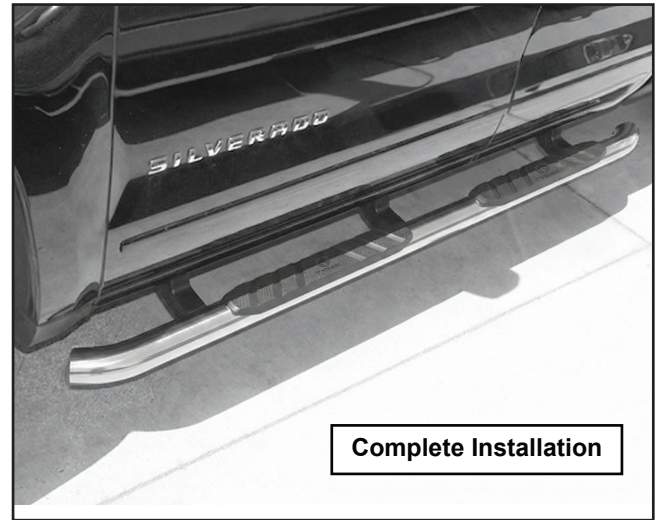
## STEP 11

Attach the Lower Bracket to the side of the Upper Bracket with (1) 8mm x 25mm Hex Bolt, (1) 8mm Lock Washer and (1) 8mm Flat Washer, (Figs 16 & 20). Leave loose at this time.

← Front

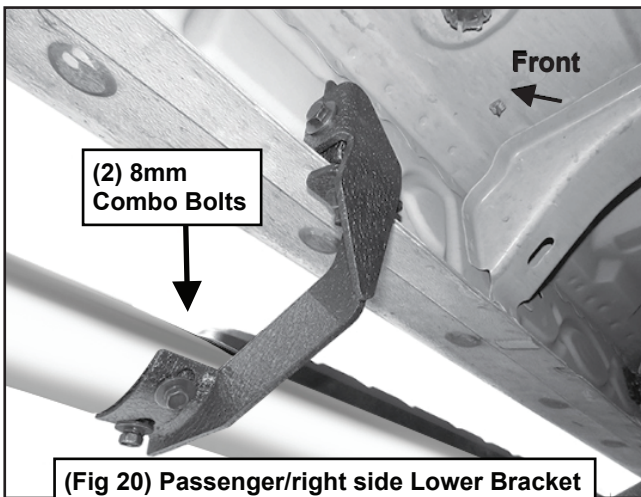


(Fig 19) 2017-on DEF cover cut for example only



### STEP 13

Repeat **STEPS 6-7** to install the Passenger/Right Sidebar, (Fig 20).



(Fig 20) Passenger/right side Lower Bracket attached to Upper Bracket

### STEP 14

Once the Sidebar has been installed and all hardware fully tightened, reinstall the DEF tank and cover, if equipped, as described in **STEPS 8 & 12**.

### STEP 15

Do periodic inspections to the installation to make sure that all hardware is secure and tight.