



## TYGER RIDER®

TG-SS2C35168

### Parts List

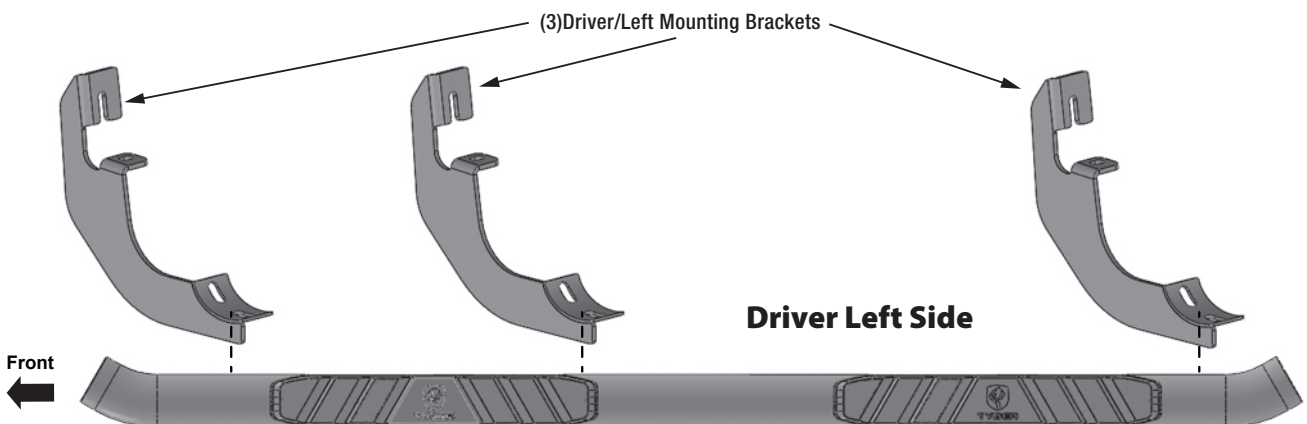
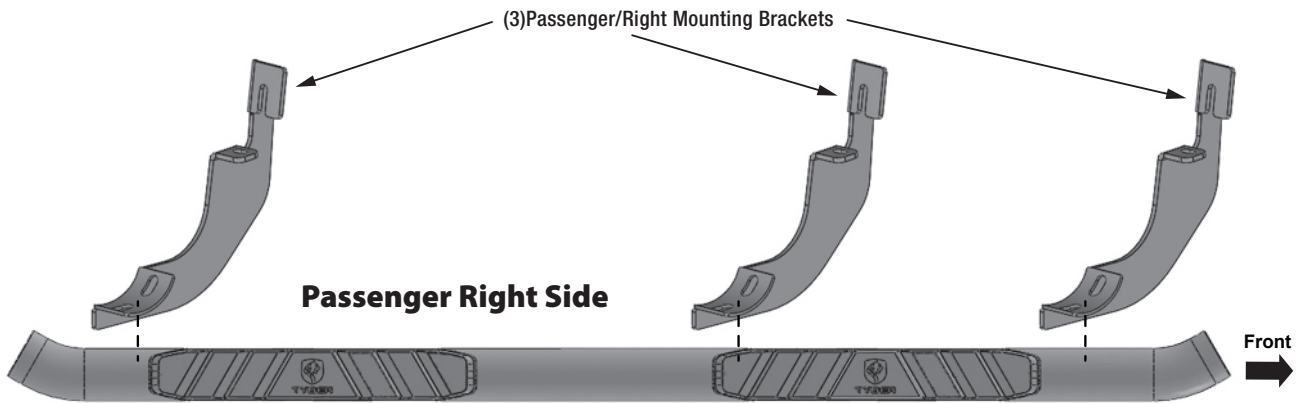
- x1** Driver/Left TYGER Rider **D**
- x1** Passenger/Right TYGER Rider **P**
- x6** Mounting Brackets
- x12** 8-1.25mm x 25mm Hex Bolts
- x12** 8-1.25mm x 25mm Combo Hex Bolts
- x12** 8mm Lock Washers
- x12** 8mm x 24mm OD x 2mm Flat Washers
- x12** 8mm Clip Nuts

### BEFORE INSTALLATION

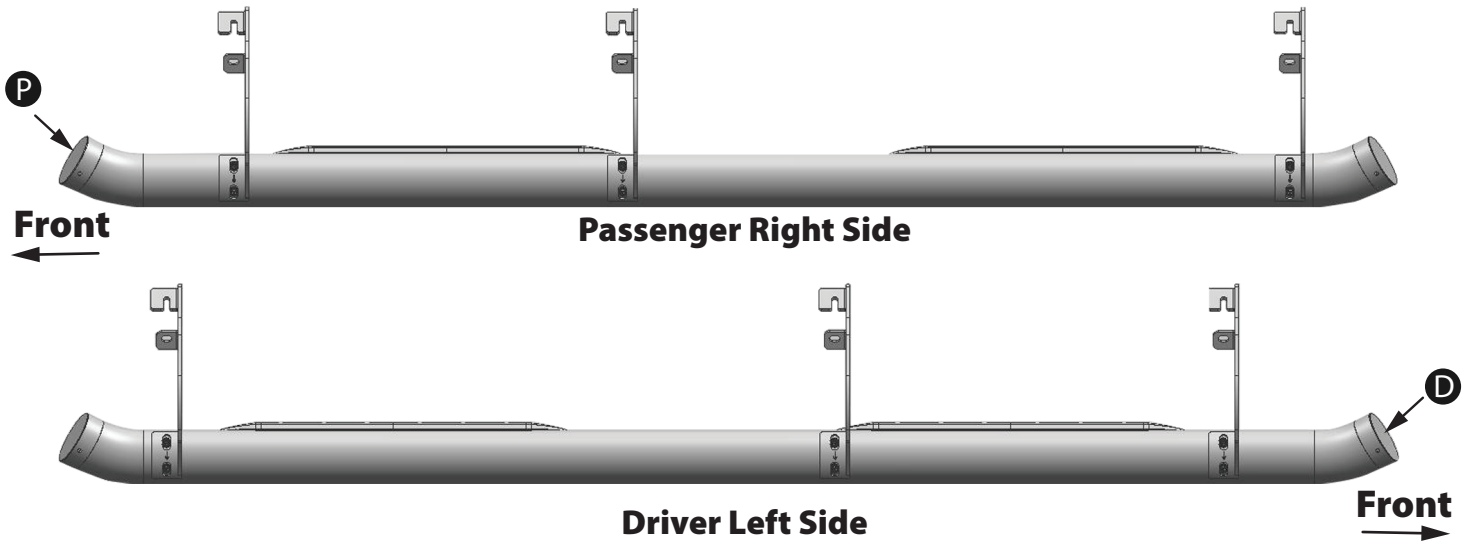
READ INSTRUCTIONS CAREFULLY BEFORE STARTING INSTALLATION. REMOVE CONTENTS FROM BOX AND VERIFY ALL PARTS ARE PRESENT. FAILURE TO IDENTIFY DAMAGE BEFORE INSTALLATION COULD LEAD TO A REJECTION OF ANY CLAIM. IF MISSING PARTS OR ANY DAMAGE FOUND, PLEASE TAKE A PICTURE FOR THE CLAIM PURPOSE. TO FILE YOUR CLAIM, PLEASE VISIT: [WWW.TYGERAUTO.COM/CONTACT](http://WWW.TYGERAUTO.COM/CONTACT)

### TORQUE VALUES

Fastener Size	Class 8.8 Torque (ft-lbs)	Class 10.9 Torque (ft-lbs)
6mm	6-7	6-7
8mm	15-16	22-23
10mm	31-32	44-45
12mm	54-55	78-79
14mm	87-88	125-126



## Bottom View



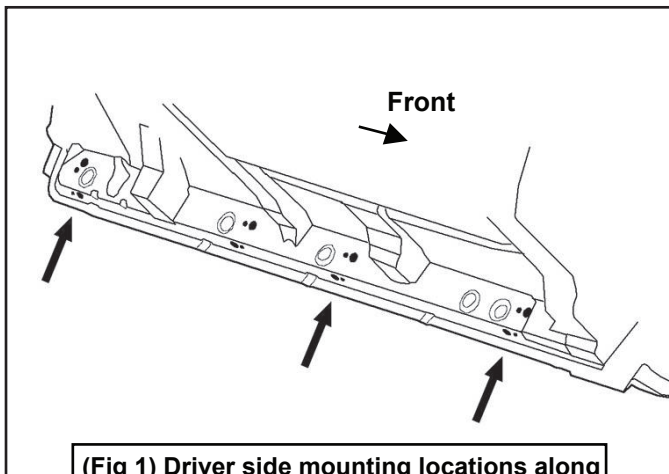
Distinguish the Driver and Passenger Side Steps by the **D** and **P** labeling on the end caps.

**NOTE:** REMOVE CONTENTS FROM BOX. VERIFY ALL PARTS ARE PRESENT. READ INSTRUCTIONS CAREFULLY BEFORE STARTING INSTALLATION. ASSISTANCE IS RECOMMENDED.

### STEP 1

Start the installation under the Driver/Left side of the vehicle. Locate the front mounting location along the bottom and inner side of the body panel, (Figs 1-2). Installation will use the **1st, 2nd** and **4th** mounting locations, (Fig 1).

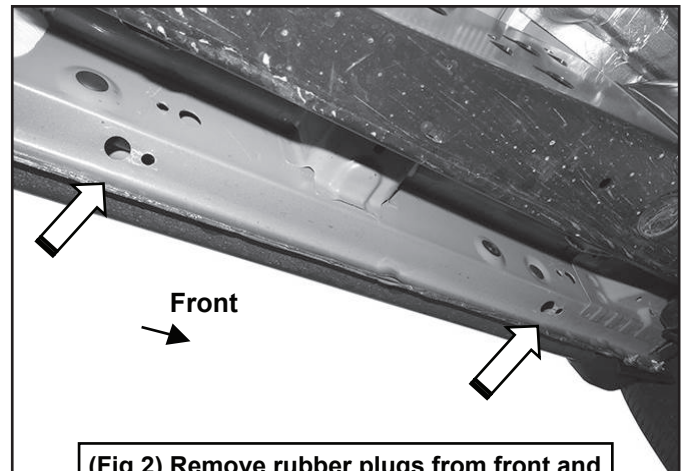
**NOTE:** It may help to hold a Bracket up in place to help determine the mounting holes to use along the bottom and inner side of the body.



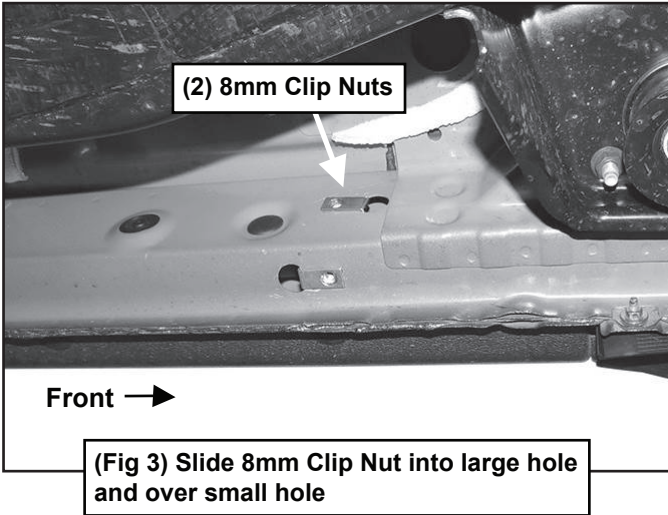
(Fig 1) Driver side mounting locations along bottom and back of body panel illustrated

### STEP 2

Remove rubber plugs from the front location, (Fig 2). Select (2) 8mm Clip Nuts. Slide each Clip Nut into the large hole and over the smaller hole next to it. Line up threaded nut on the Clip Nut with smaller hole in body panel, (Fig 3).

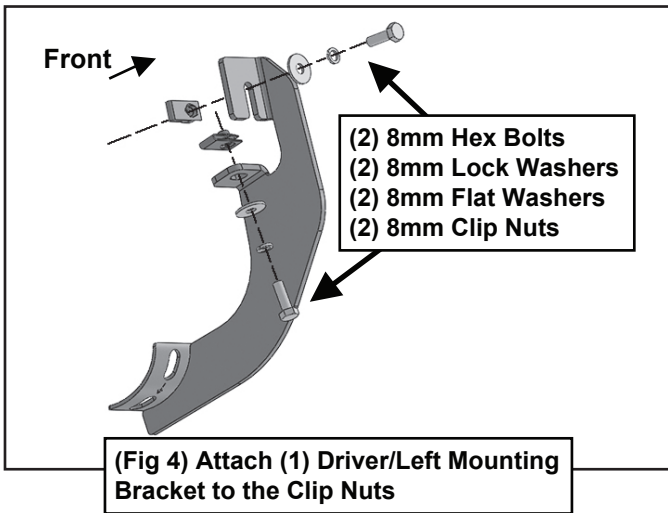


(Fig 2) Remove rubber plugs from front and center mounting locations (arrows)



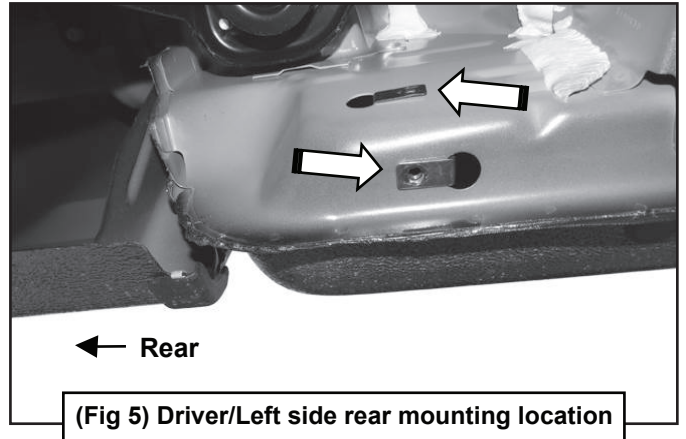
**STEP 3**

Select (1) Driver/Left Mounting Bracket. Attach the Bracket to the (2) Clip Nuts with (2) 8mm Hex Bolts, (2) 8mm Lock Washers and (2) 8mm Flat Washers, (Fig 4). DO NOT tighten hardware.



**STEP 4**

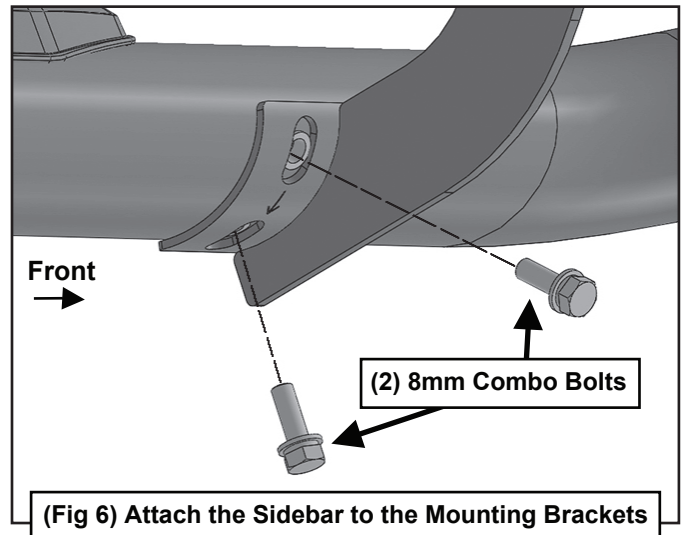
Repeat **STEPS 1-3** to attach the remaining (2) Driver/Left Mounting Brackets to the 2nd and rear locations, (Figs 1, 2, 4 & 5). DO NOT tighten hardware.



**STEP 5**

Select the Driver/Left Side Sidebar. Carefully place Sidebar on the brackets.

**IMPORTANT:** DO NOT slide or rotate Sidebar on cradles, or else damage to the finish may result. Attach Sidebar to the Mounting Brackets with (6) 8mm Combo Bolts, (Fig 6). DO NOT tighten hardware at this time.



**STEP 6**

Level and adjust the Sidebar and tighten all hardware.

---

## STEP 7

Repeat **STEPS 1-6** to attach the Passenger/Right Sidebar.

---

## STEP 8

Do periodic inspections to the installation to make sure that all hardware is secure and tight.