



TYGER RIDER®

TG-SS2D35097

Scan to Download the Latest Digital Version



BEFORE INSTALLATION

READ INSTRUCTIONS CAREFULLY BEFORE STARTING INSTALLATION. REMOVE CONTENTS FROM BOX AND VERIFY ALL PARTS ARE PRESENT. FAILURE TO IDENTIFY DAMAGE BEFORE INSTALLATION COULD LEAD TO A REJECTION OF ANY CLAIM. IF MISSING PARTS OR ANY DAMAGE FOUND, PLEASE TAKE A PICTURE FOR THE CLAIM PURPOSE. TO FILE YOUR CLAIM, PLEASE VISIT: WWW.TYGERAUTO.COM/CONTACT

TORQUE VALUES

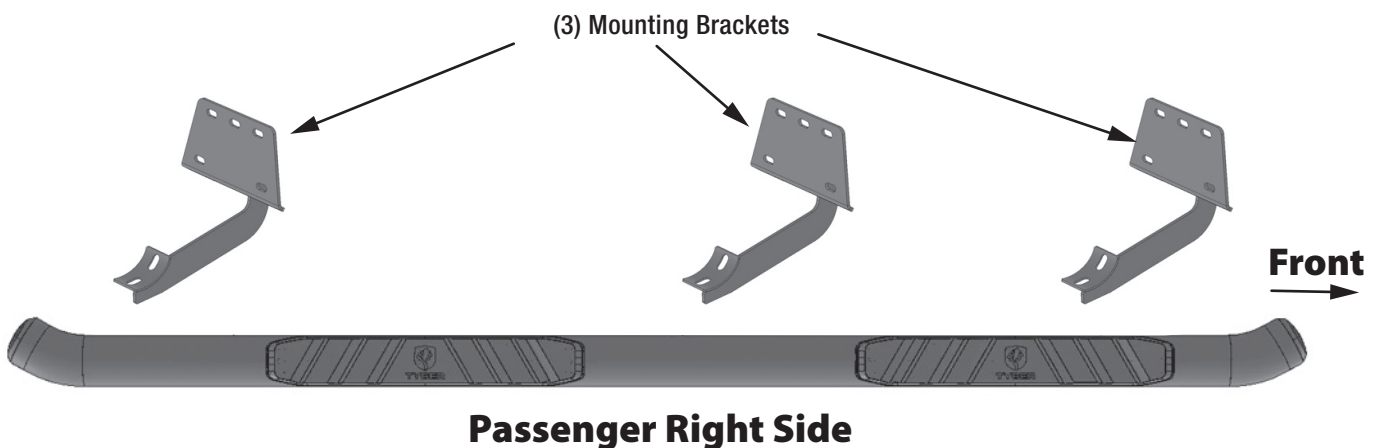
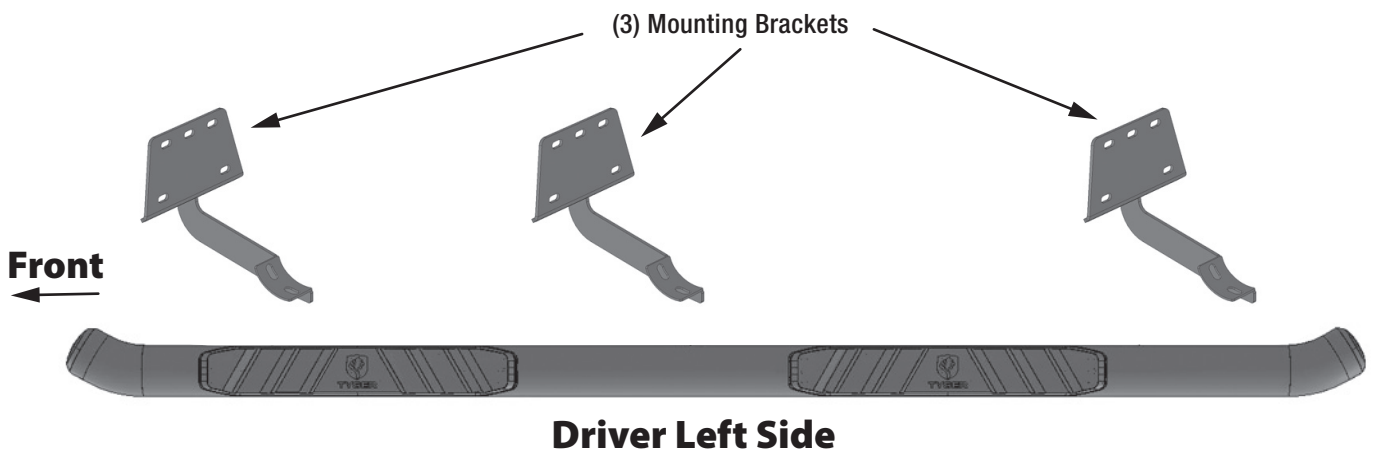
Fastener Size	Class 8.8 Torque (ft-lbs)	Class 10.9 Torque (ft-lbs)
6mm	6-7	6-7
8mm	15-16	22-23
10mm	31-32	44-45
12mm	54-55	78-79
14mm	87-88	125-126

- x1** Driver/Left Sidebar **D**
- x1** Passenger/Right Sidebar **P**
- x6** Mounting Brackets (use left or right)

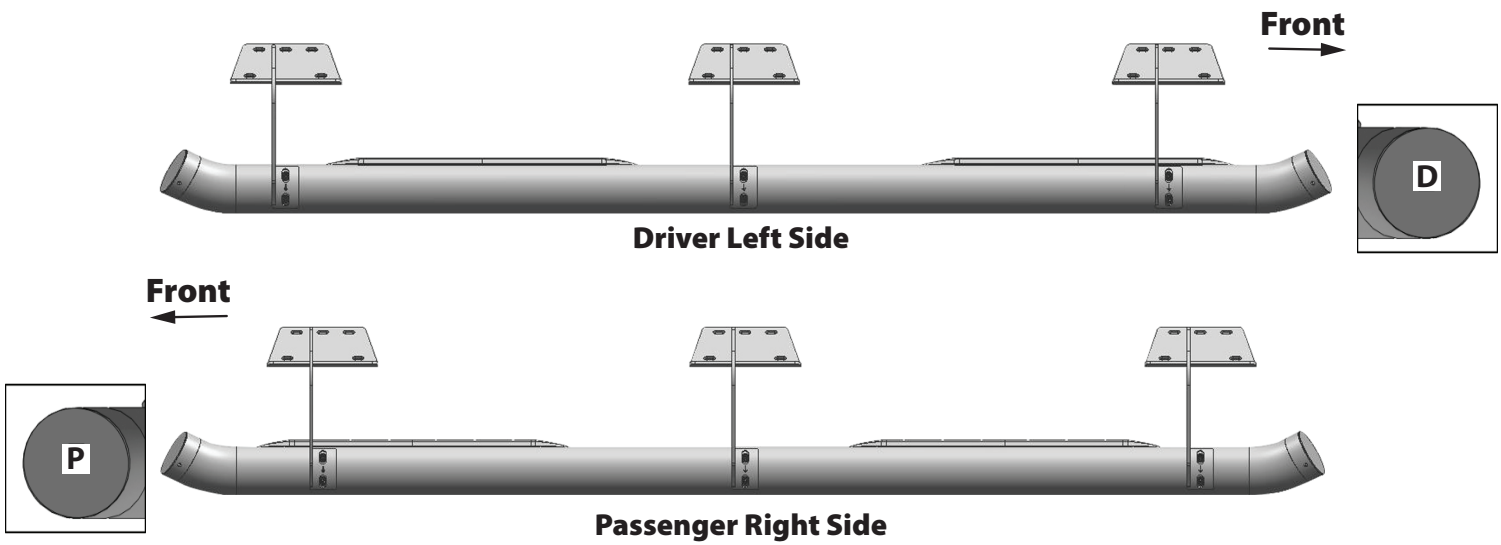
- x12** 8-1.25mm x 25mm Combo Bolts
- x18** 8mm x 24mm x 2mm Flat Washers
- x18** 8-1.25mm Nylon Lock Nuts

[Parts List](#)

Top View



Bottom View



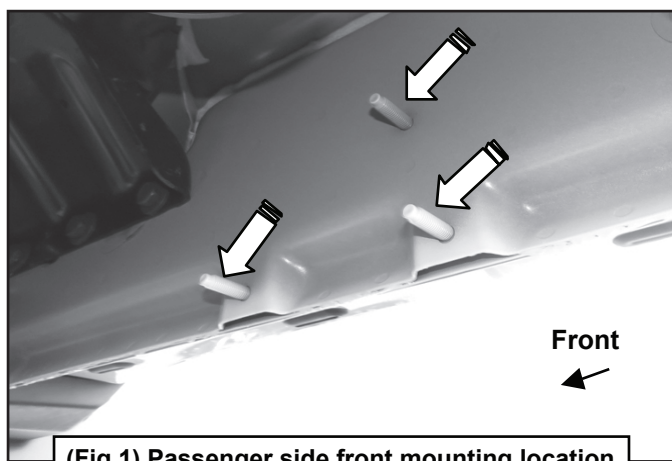
Distinguish the Driver and Passenger Side Steps by the **D** and **P** labeling on the end caps.

NOTE: REMOVE CONTENTS FROM BOX. VERIFY ALL PARTS ARE PRESENT. READ INSTRUCTIONS CAREFULLY BEFORE STARTING INSTALLATION. ASSISTANCE IS RECOMMENDED.

STEP 1

Start the installation under the passenger side of the vehicle. Locate the front (3) factory studs along the inner sidewall of the body panel, (Fig 1).

NOTE: Use a wire brush or thread die to remove paint buildup on the threaded studs.

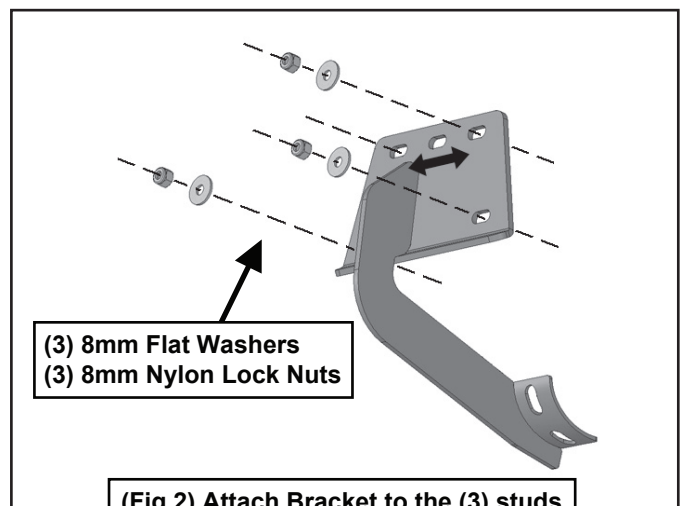


(Fig 1) Passenger side front mounting location

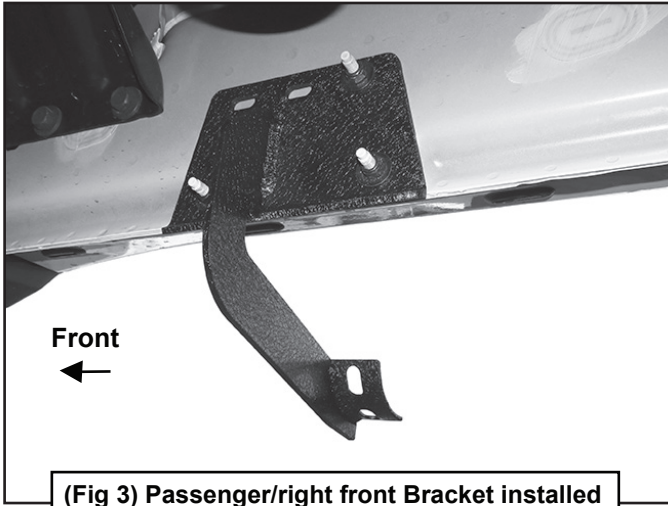
STEP 2

Select (1) Mounting Bracket, (Fig 2).

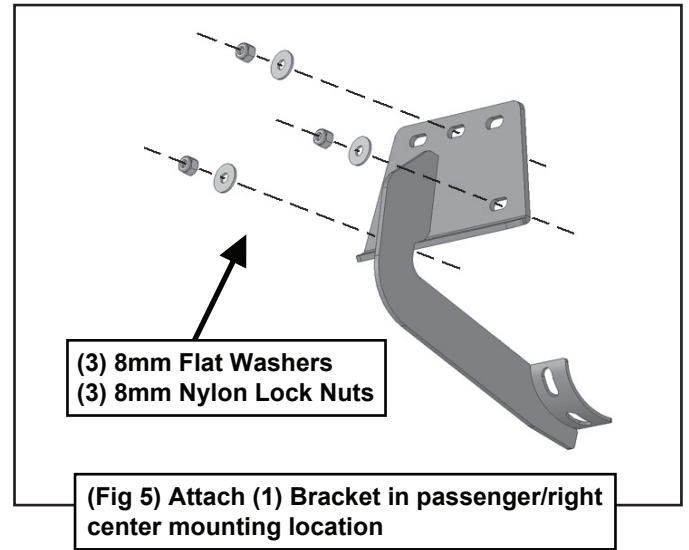
NOTE: All (6) Brackets are universal and will fit left or right side. Attach the Mounting Bracket to the (3) factory studs with (3) 8mm Flat Washers and (3) 8mm Nylon Lock Nuts, (Figs 2-3). Leave bracket loose at this time.



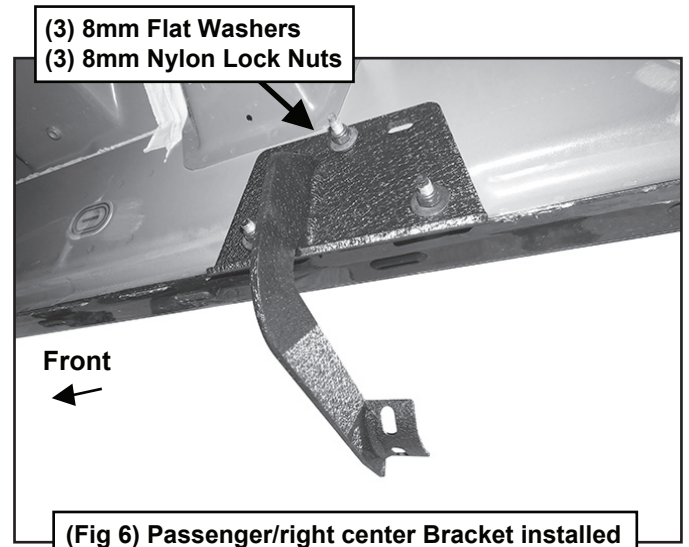
(Fig 2) Attach Bracket to the (3) studs



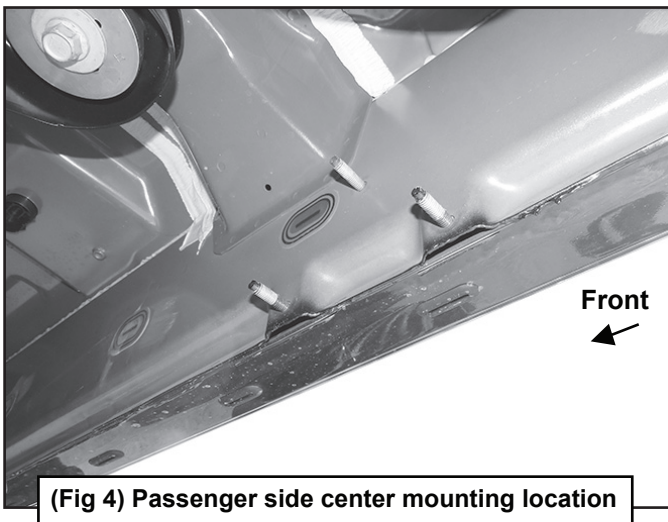
(Fig 3) Passenger/right front Bracket installed



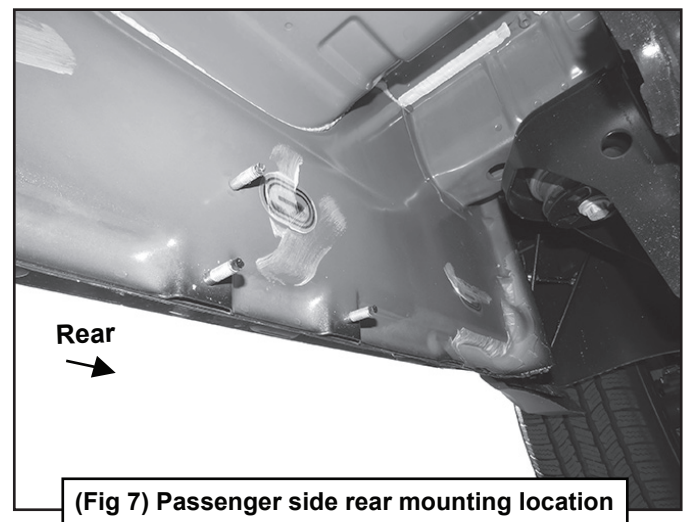
(Fig 5) Attach (1) Bracket in passenger/right center mounting location



(Fig 6) Passenger/right center Bracket installed



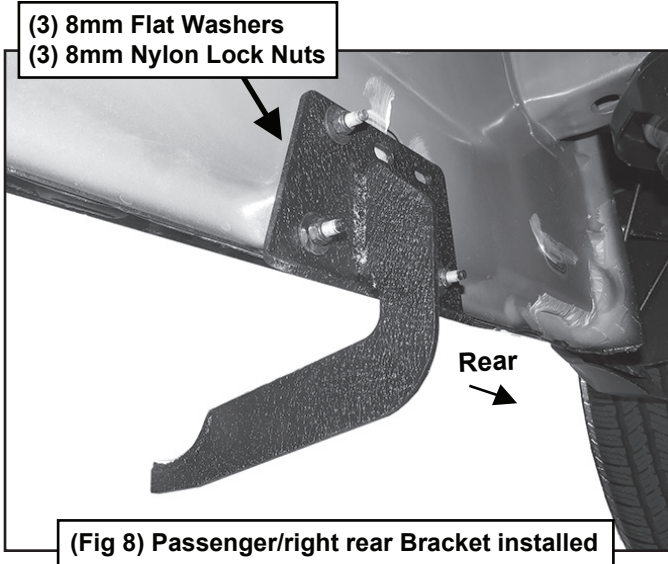
(Fig 4) Passenger side center mounting location



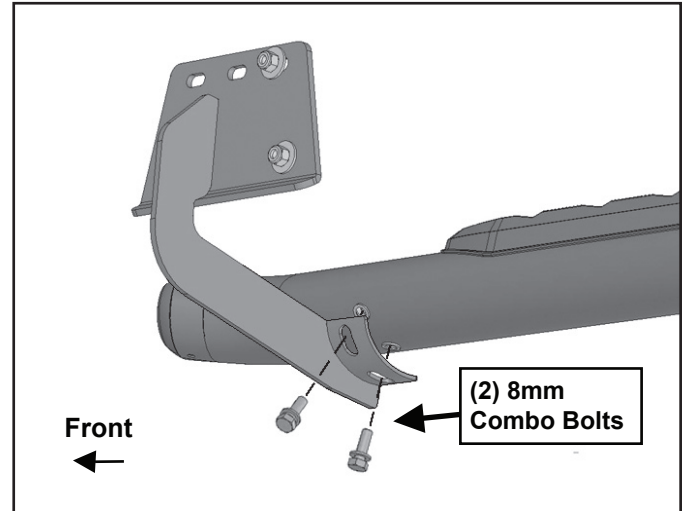
(Fig 7) Passenger side rear mounting location

STEP 3

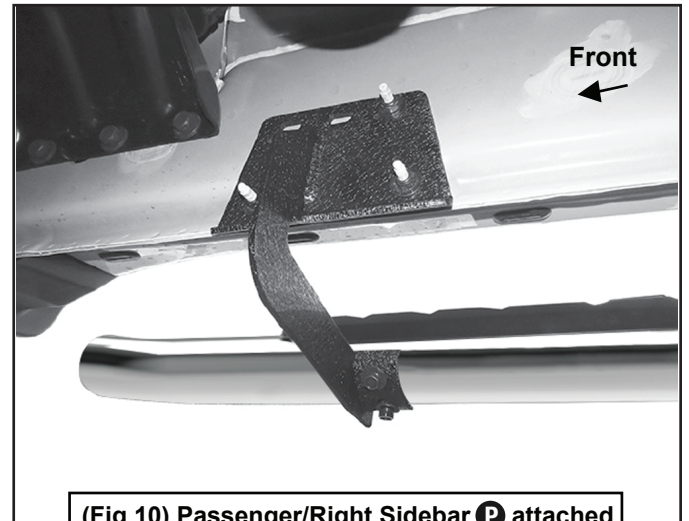
Repeat **STEPS 1-2** to install Mounting Brackets in the center and rear mounting locations along the body panel, (Figs 4-8).



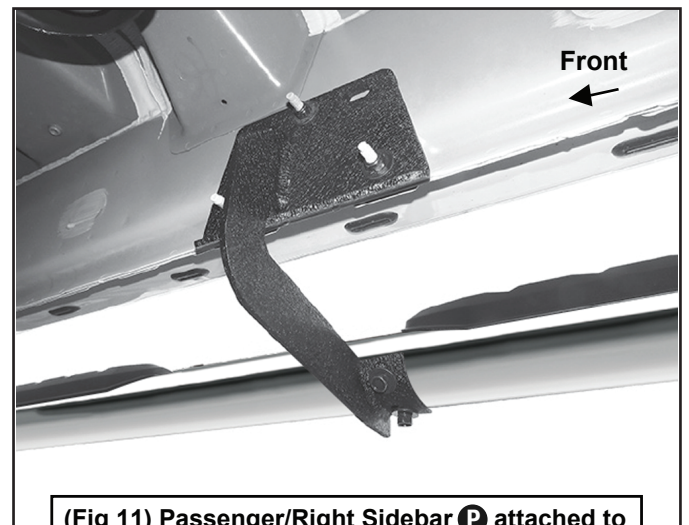
(Fig 8) Passenger/right rear Bracket installed



(Fig 9) Attach Passenger/Right Sidebar **P** to front Bracket



(Fig 10) Passenger/Right Sidebar **P** attached to front Bracket



(Fig 11) Passenger/Right Sidebar **P** attached to center Bracket

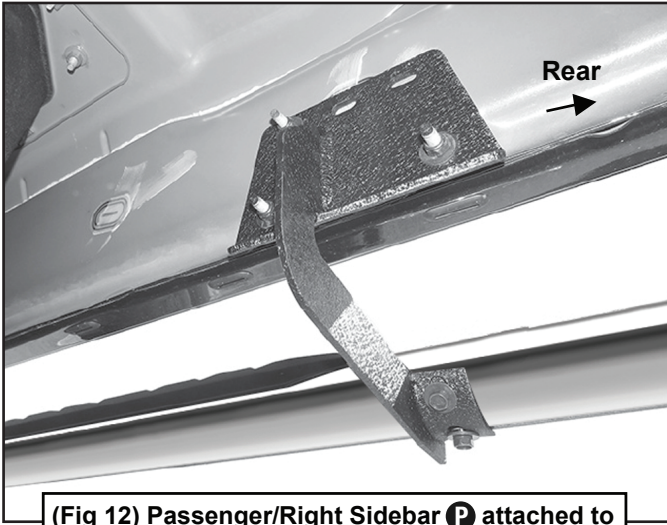
STEP 4

Carefully unwrap and select the Passenger/right Sidebar. Use the illustration above to help identify the correct Sidebar. Place the Sidebar on top of the Brackets.

IMPORTANT: DO NOT twist or slide, (front to back), the Sidebar on the Brackets or damage to the finish may result.

STEP 5

Attach the Sidebar to the (3) Brackets with (6) 8mm Combo Hex Bolts, (Figs 9-12). DO NOT tighten hardware at this time.



(Fig 12) Passenger/Right Sidebar **P** attached to rear Bracket



Complete Installation

STEP 6

Level and adjust the Sidebar as necessary and fully tighten all hardware.

STEP 7

Repeat **STEPS 1-6** for Driver/Left Sidebar **D** installation.

STEP 8

Do periodic inspections to the installation to make sure that all hardware is secure and tight.