



TYGER RIDER®

TG-SS2D35117

Scan to Download the Latest Digital Version



BEFORE INSTALLATION

READ INSTRUCTIONS CAREFULLY BEFORE STARTING INSTALLATION. REMOVE CONTENTS FROM BOX AND VERIFY ALL PARTS ARE PRESENT. FAILURE TO IDENTIFY DAMAGE BEFORE INSTALLATION COULD LEAD TO A REJECTION OF ANY CLAIM. IF MISSING PARTS OR ANY DAMAGE FOUND, PLEASE TAKE A PICTURE FOR THE CLAIM PURPOSE. TO FILE YOUR CLAIM, PLEASE VISIT: WWW.TYGERAUTO.COM/CONTACT

TORQUE VALUES

Fastener Size	Class 8.8 Torque (ft-lbs)	Class 10.9 Torque (ft-lbs)
6mm	6-7	6-7
8mm	15-16	22-23
10mm	31-32	44-45
12mm	54-55	78-79
14mm	87-88	125-126

- | | | | | |
|--|--------------------------------------|--|--|----------------------------------|
| x1 Driver/Left Sidebar D | x3 Support Bracket [E] | x24 6mm x 22mm x 2mm Flat Washers | x18 8mm x 24mm x 2mm Flat Washers | x6 8mm x 30mm Bolt Plates |
| x1 Passenger/Right Sidebar P | x3 Support Bracket [F] | x12 8-1.25mm x 30mm Hex Bolts | x6 8mm Lock Washers | |
| x3 Mounting Bracket [A] | x12 6-1.0mm x 25mm Hex Bolts | x6 8mm Hex Nuts | x12 8-1.25mm x 25mm Combo Hex Bolts | |
| x3 Mounting Bracket [B] | x12 6mm Nylon Lock Nuts | x6 8mm Nylon Lock Nuts | x6 8mm Plastic Retainers | |

Parts List

Top View

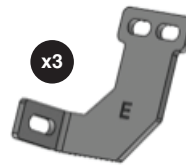
ATTENTION: Refer to **D** and **P** labelling on the side of the tubes to determine Driver and Passenger Sidebar



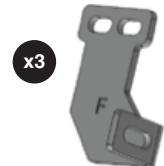
[A]
Mounting Bracket



[B]
Mounting Bracket



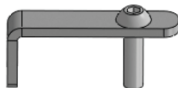
[E]
Support Bracket



[F]
Support Bracket



Hex Bolts



Bolt Plates



Combo Hex Bolts



Nylon Lock Nuts



Flat Washers



Lock Washers



Plastic Retainers



Hex Nuts

x12 6-1.0mm x 25mm Hex Bolts

x6 8mm x 30mm Bolt Plates

x12 8-1.25mm x 25mm Combo Hex Bolts

x12 6mm Nylon Lock Nuts

x24 6mm x 22mm x 2mm Flat Washers

x6 8mm Lock Washers

x6 8mm Plastic Retainers

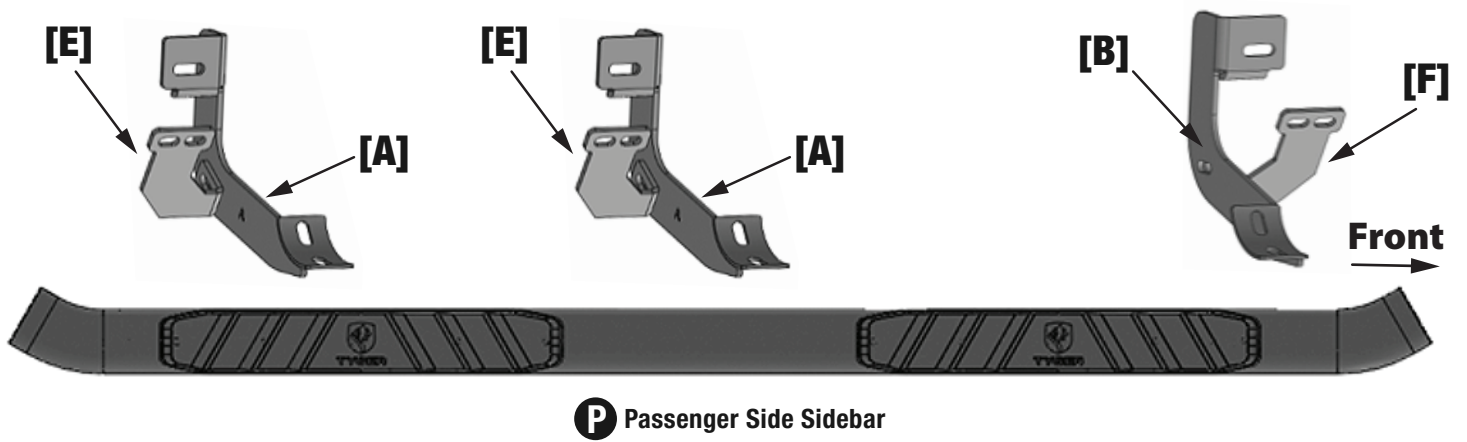
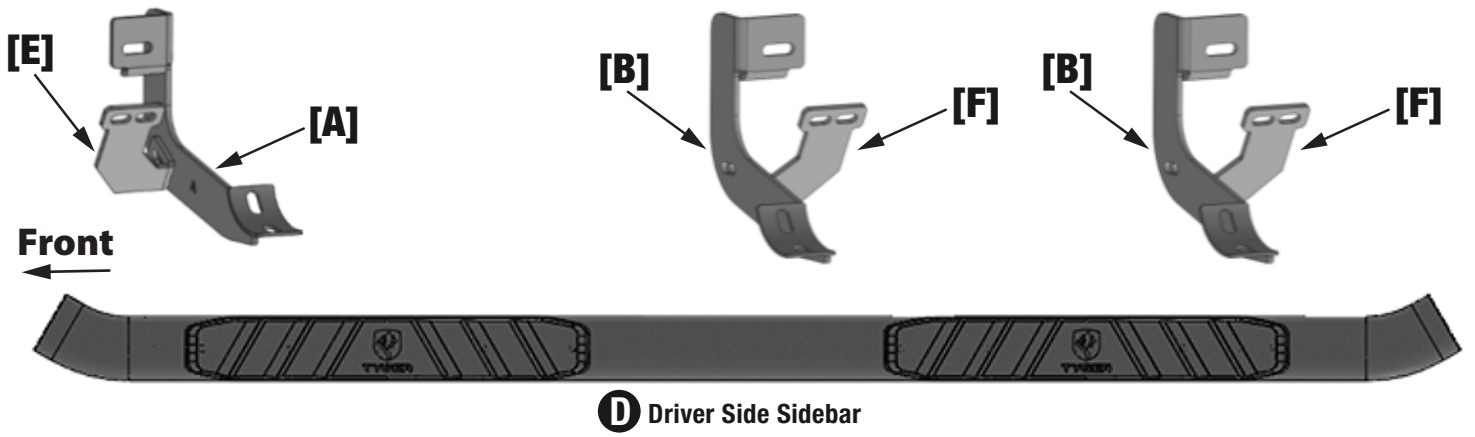
x12 8-1.25mm x 30mm Hex Bolts

x6 8mm Nylon Lock Nuts

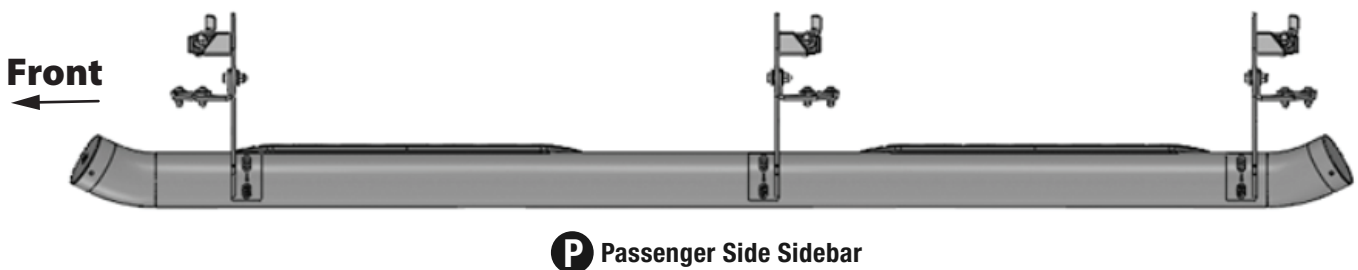
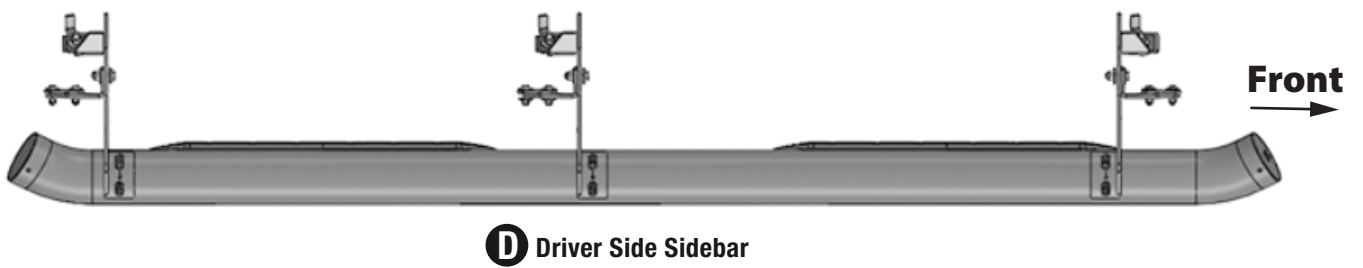
x18 8mm x 24mm x 2mm Flat Washers

x6 8mm Hex Nuts

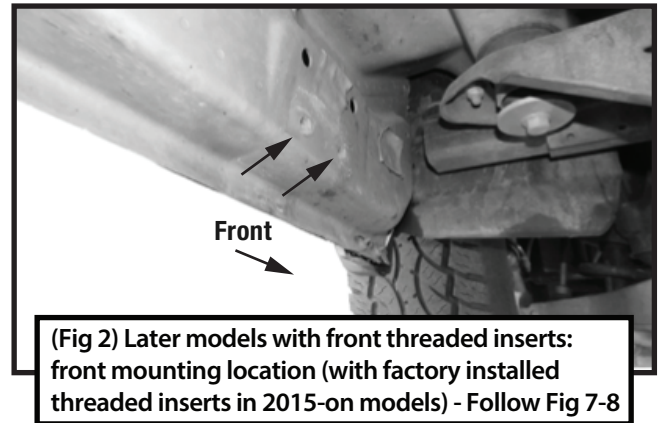
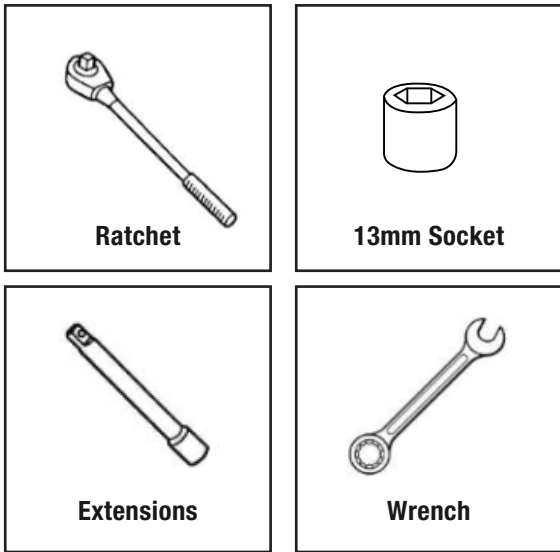
Reference the letters printed on the brackets to determine mounting locations



Bottom View

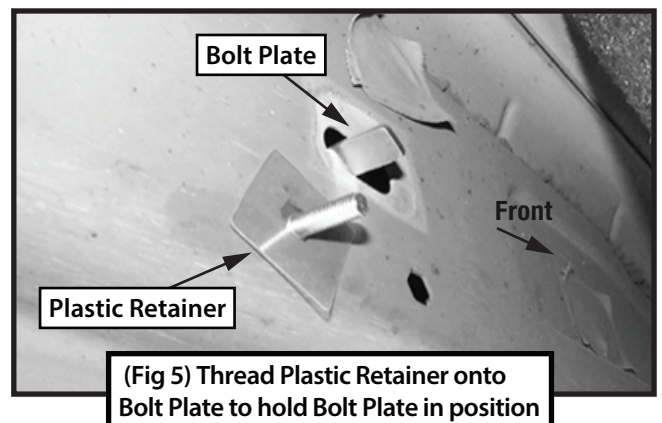
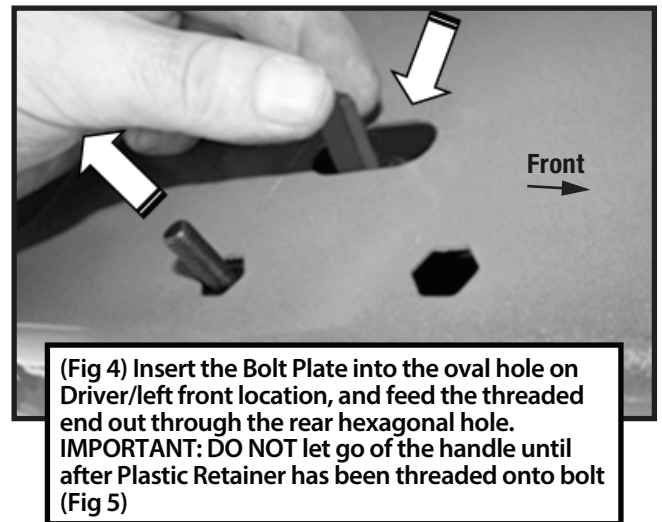
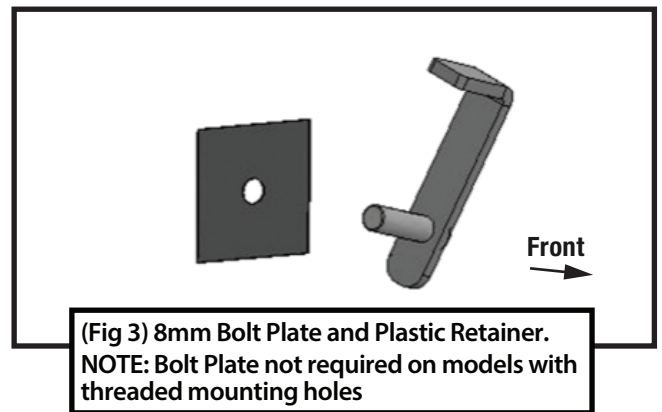


TOOLS REQUIRED



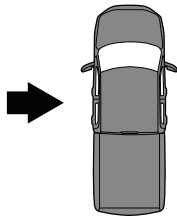
Without factory threaded inserts:

- Early models without factory threaded inserts in body panel, follow (Fig 3-6):

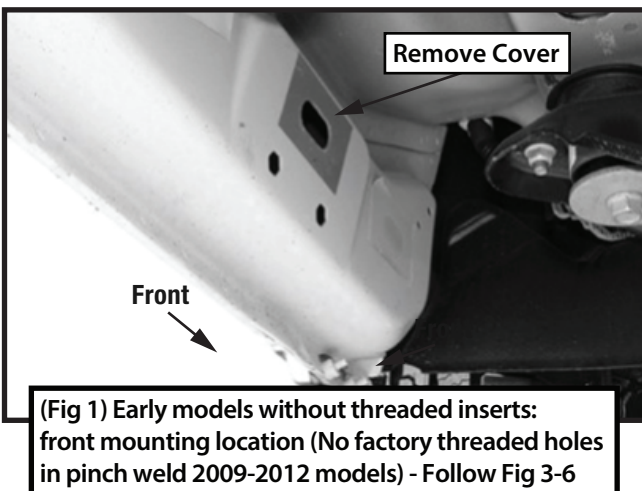


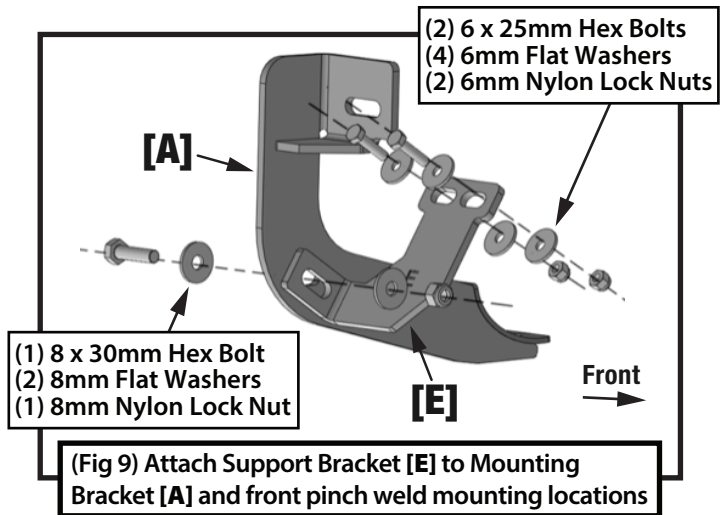
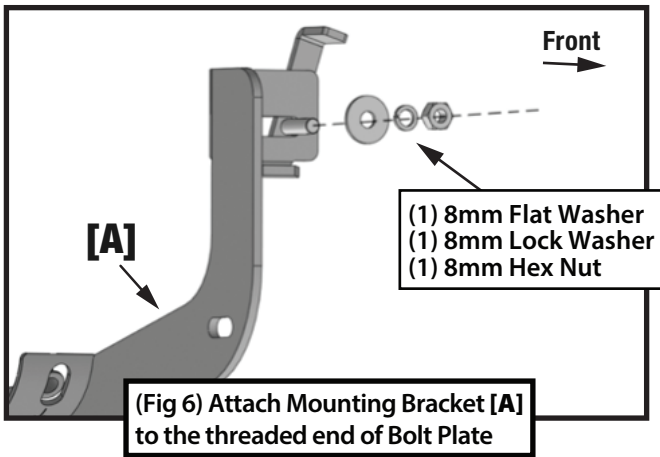
STEP 1 MOUNTING BRACKETS

Follow (Fig 1-2) to determine your vehicle model/year, and follow (Fig 3-15) to attach the brackets to the Driver Side accordingly.



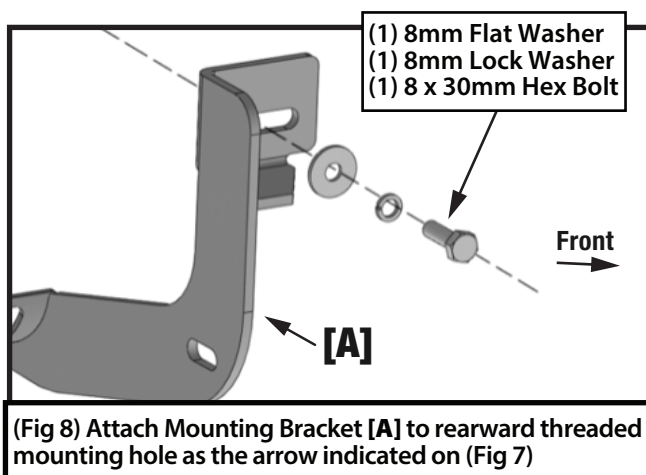
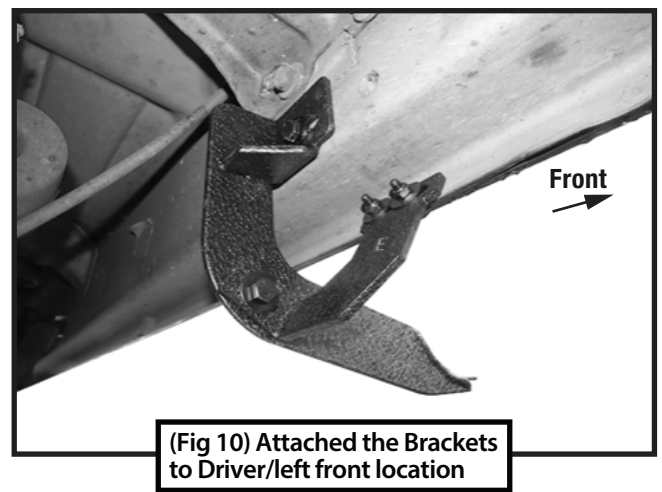
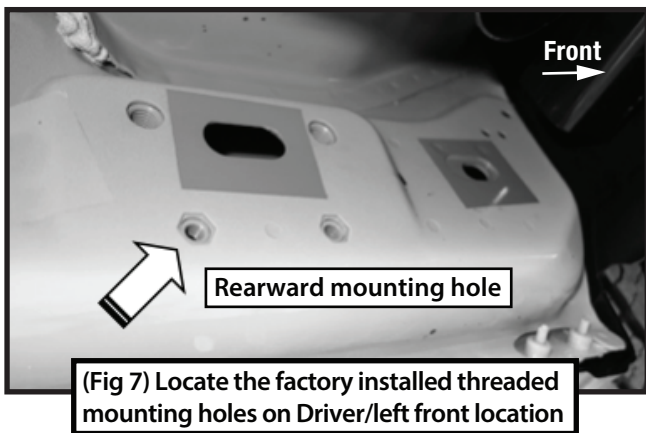
Driver-side Front Mounting Area





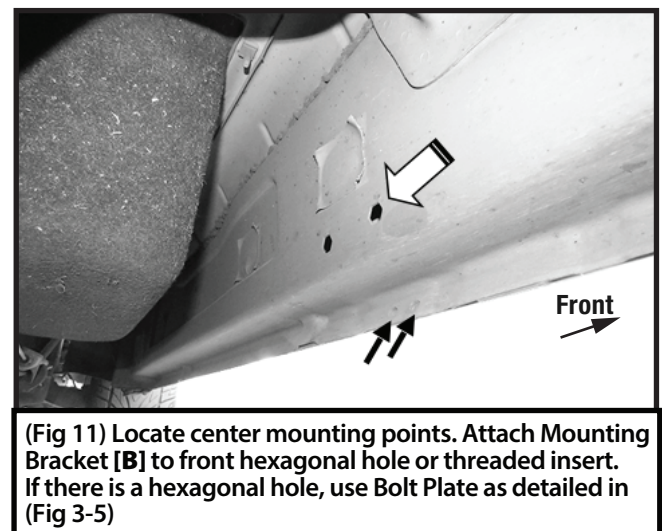
With factory threaded inserts:

- Late models with factory threaded inserts, follow (Fig 7-8):



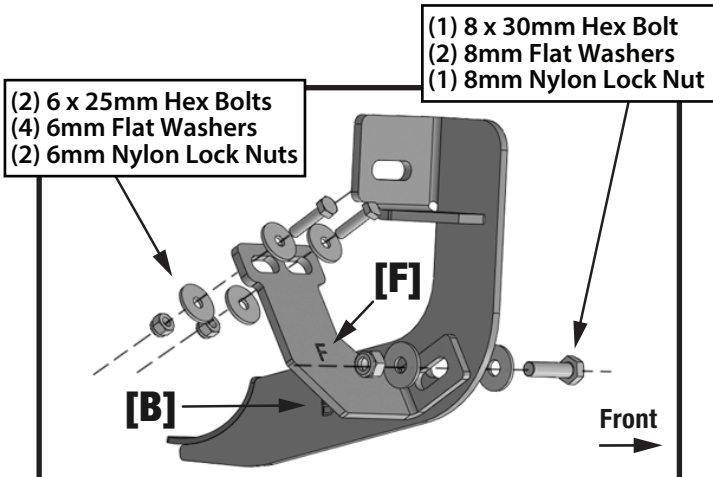
Driver-side Center Mounting Area

- Follow (Fig 11-13) to attach the Brackets to the Driver/left center location.

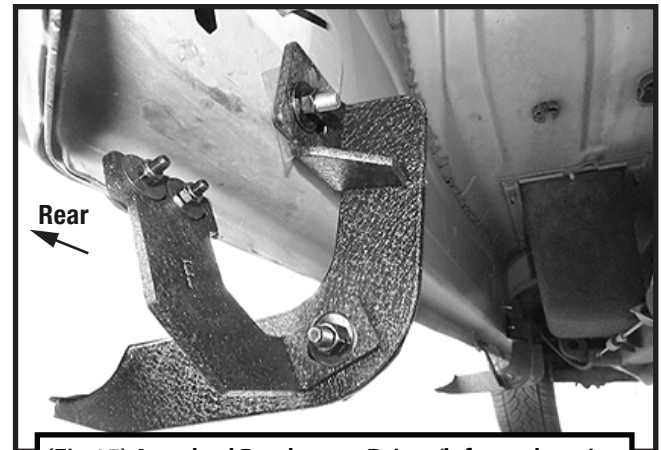


- After attaching the Mounting Bracket [A] to the body panel accordingly, follow (Fig 9-10) to attach the Support Bracket [E] to Mounting Bracket [A] and the Driver/left front pinch weld mounting locations.

IMPORTANT: 2009-12 models may not be equipped with factory holes and will require drilling through the pinch weld to attach the Support Bracket. **DO NOT** drill through pinch weld at this time, (see **STEP 3** for drilling instruction). Continue below steps then finally finish installing support brackets after drilling.



(Fig 12) Attach Support Bracket [F] to Mounting Bracket [B] and center pinch weld mounting locations. For the **2009-12** models not equipped with factory holes on pinch weld, **DO NOT** drill through pinch weld at this time, see **STEP 3** for drilling instruction

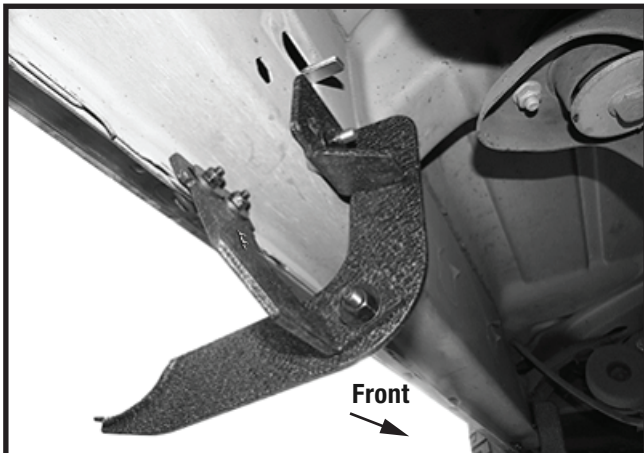


(Fig 15) Attached Brackets to Driver/left rear location

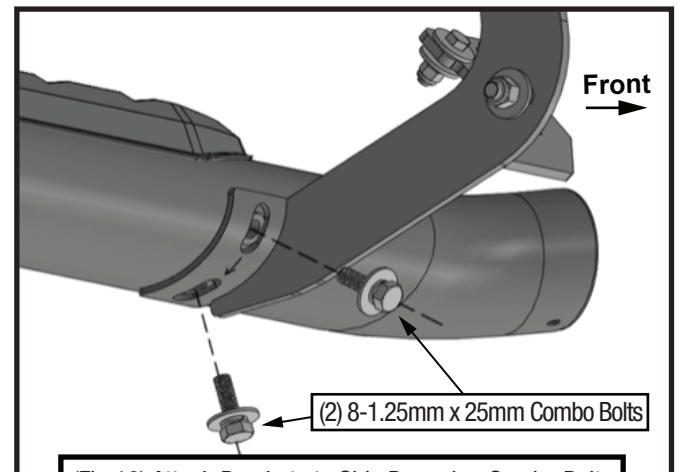
STEP 2 MOUNTING RUNNING BOARD

Follow (Fig 16) to install the running board. Level and adjust the running board and tighten all hardware.

IMPORTANT: DO NOT slide (front to back or rotate) the Sidebar on the Brackets or it may result in damage to the finish on the Sidebar.



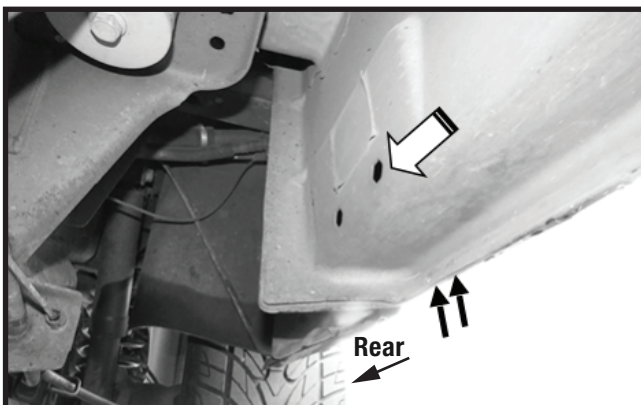
(Fig 13) Attached Brackets to Driver/left center location



(Fig 16) Attach Brackets to Side Bar using Combo Bolts



Driver-side Rear Mounting Area



(Fig 14) Locate rear mounting points. Repeat (Fig 11-13) to attach Mounting Bracket [B] and Support Bracket [F] to Driver/left rear location

STEP 3 DRILLING PINCH WELD only for some 2009-2012 models

2009-12 models requiring drilling for Support Brackets:

- Make sure the Sidebar is level to the vehicle. Adjust and tighten all mounting hardware.
- Line up the slots on the Support Brackets with the back of the pinch weld. Mark the location of the slots onto the pinch weld.
- Drill (2) 1/4" holes through the pinch weld for each Support Bracket.

IMPORTANT: DO NOT drill too close to the bottom edge of the pinch weld. Adjust the Support Brackets as necessary to move the slots up the body panel away from the edge. Drill the holes toward the outside of the marked slots.

d. Attach each Support Bracket to the pinch weld. Check the Sidebar for level then fully tighten all hardware.

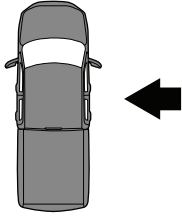
STEP 4 PASSENGER SIDE

Repeat **STEPS 1-2** for passenger side installation.

Follow **PAGE 2** diagrams as reference:

Use Mounting Bracket **[B]** and Support Bracket **[F]** for the Front Location;

Use Mounting Bracket **[A]** and Support Bracket **[E]** for the Center and Rear Locations.



STEP 5 COMPLETION

Installation is complete. Do periodic inspections to the installation to make sure that all hardware is secure and tight.