





### BEFORE INSTALLATION

READ INSTRUCTIONS CAREFULLY BEFORE STARTING INSTALLATION. REMOVE CONTENTS FROM BOX AND VERIFY ALL PARTS ARE PRESENT. FAILURE TO IDENTIFY DAMAGE BEFORE INSTALLATION COULD LEAD TO A REJECTION OF ANY CLAIM. IF MISSING PARTS OR ANY DAMAGE FOUND, PLEASE TAKE A PICTURE FOR THE CLAIM PURPOSE. TO FILE YOUR CLAIM, PLEASE VISIT: [WWW.TYGERAUTO.COM/CONTACT](http://WWW.TYGERAUTO.COM/CONTACT)

### TORQUE VALUES

Fastener Size	Class 8.8 Torque (ft-lbs)	Class 10.9 Torque (ft-lbs)
6mm	6-7	6-7
8mm	15-16	22-23
10mm	31-32	44-45
12mm	54-55	78-79
14mm	87-88	125-126

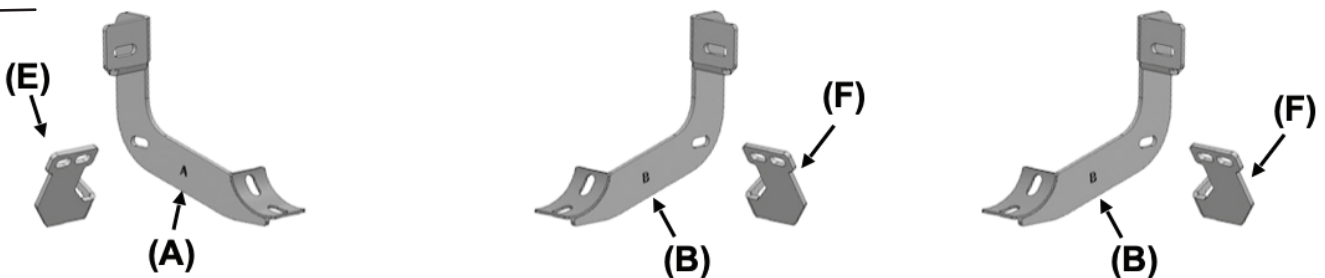
- x1** Driver/Left Sidebar **(D)**
- x1** Passenger/Right Sidebar **(P)**
- x3** Mounting Bracket **(A)**
- x3** Mounting Bracket **(B)**
- x3** Support Brackets **(E)**
- x3** Support Brackets **(F)**
- x6** 8mm Bolt Plates
- x6** 8mm Plastic Retainers
- x12** 8-1.25mm x 25mm Combination Hex Bolts 
- x12** 8-1.25mm x 30mm Hex Bolts 
- x18** 8mm x 24mm x 2mm Flat Washers
- x6** 8mm Lock Washers
- x6** 8mm Hex Nuts
- x6** 8mm Nylon Lock Nuts
- x12** 6mm x 25mm Hex Bolts
- x24** 6mm x 22mm x 2mm Flat Washers
- x12** 6mm Nylon Lock Nuts

### Parts List

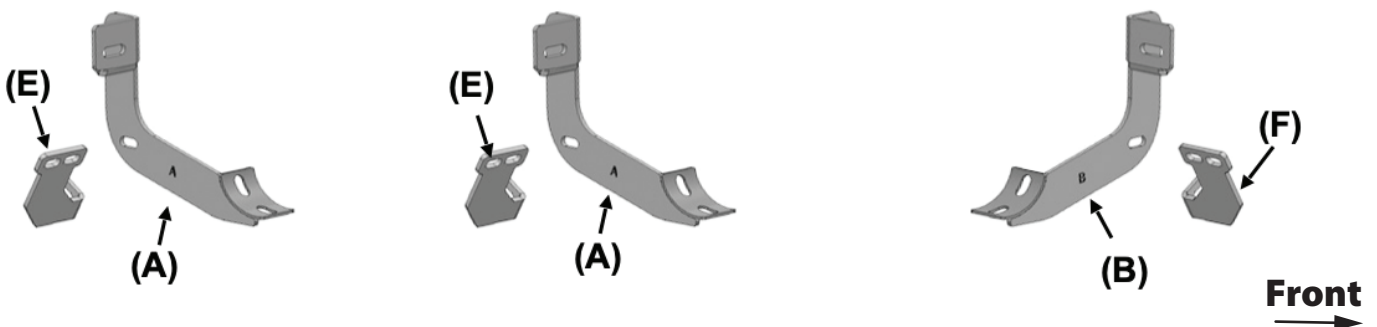
Reference the letters printed on the brackets to determine mounting locations

#### Driver/left Mounting and Support Brackets

Front  
←

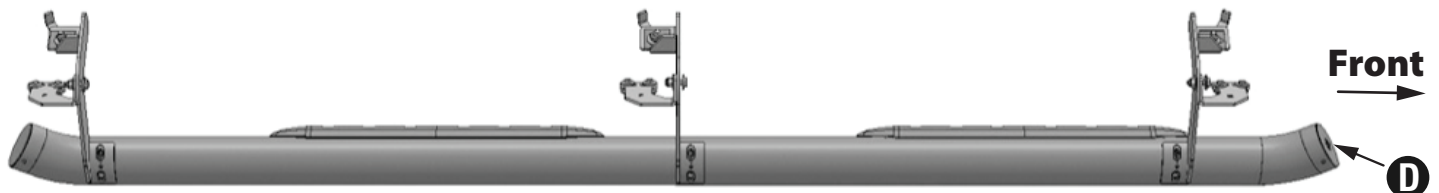


#### Passenger/right Mounting and Support Brackets

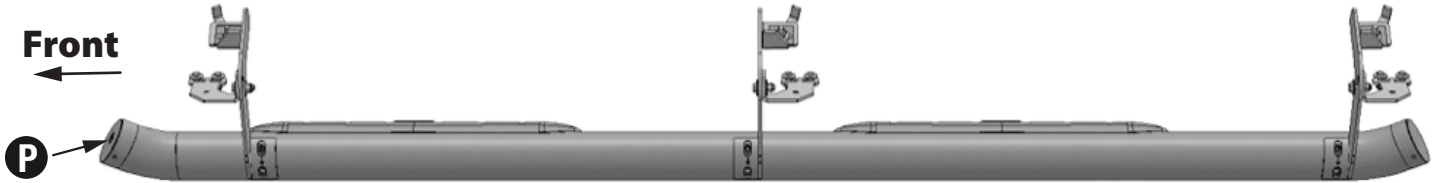


# Bottom View

## Driver Left Side



Front



## Passenger Right Side

Distinguish the Driver and Passenger Side Steps by the **D** and **P** labeling on the end caps.

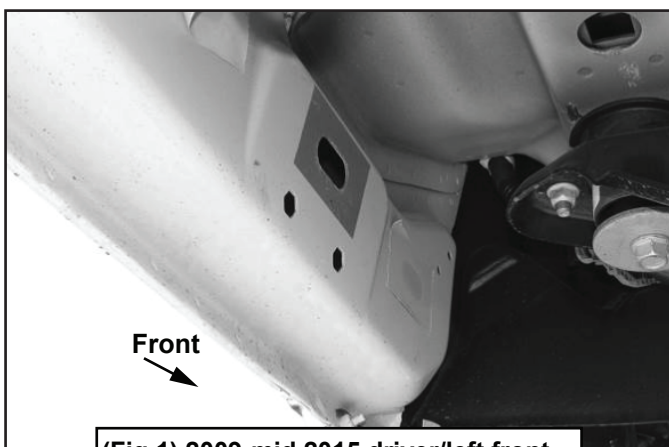
### PROCEDURE:

REMOVE CONTENTS FROM BOX. VERIFY ALL PARTS ARE PRESENT. READ INSTRUCTIONS CAREFULLY BEFORE STARTING INSTALLATION. DRILLING MAY BE REQUIRED.

## STEP 1

Starting at the driver/left front of the vehicle, remove the sealing tape covering the factory holes in the side of the inner body panel (Fig 1).

### Driver/left Side Installation Pictured



(Fig 1) 2009-mid 2015 driver/left front mounting location (No factory holes in pinch weld 2009-2011 models)

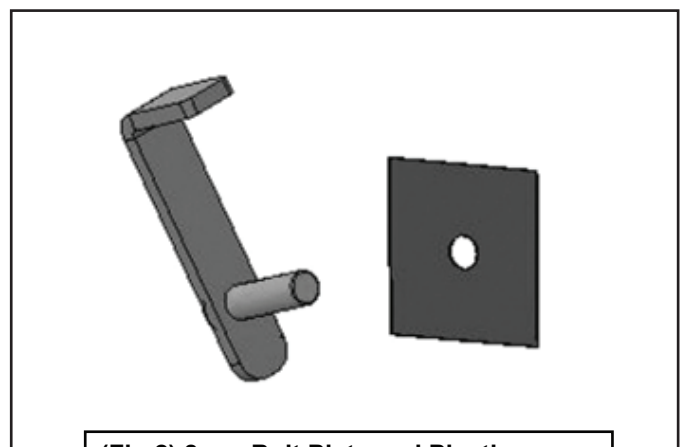
## STEP 2

Determine the correct procedure to attach the driver/left side front Bracket for your model/year:

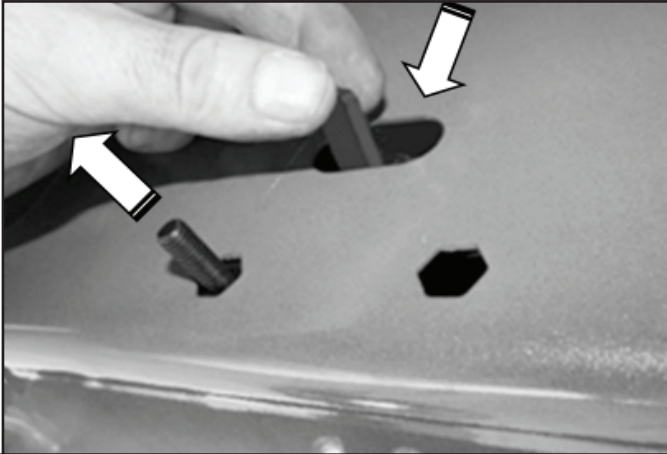
### Models without factory threaded inserts in body panel:

- a. Select (1) 8mm Bolt Plate and (1) 8mm Plastic Retainer (Fig 2). Grab the handle on the Bolt Plate and insert the Bolt Plate into the oval hole (Fig 3). Feed the threaded bolt on the Bolt Plate through the rear hex shaped factory hole.

### Driver/left Side Installation Pictured

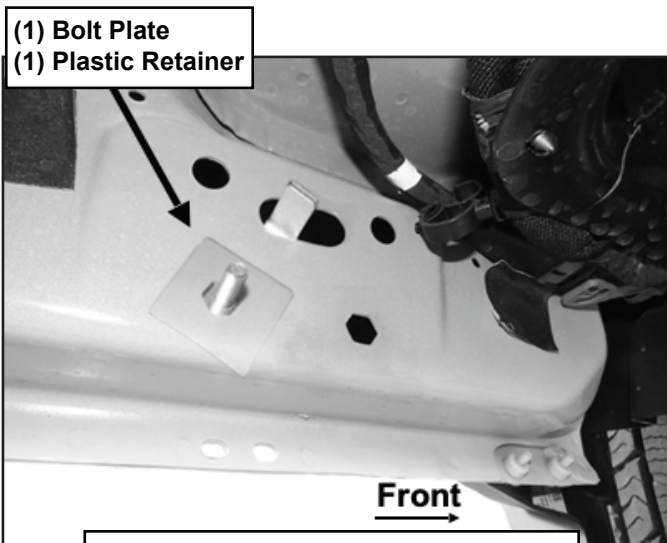


(Fig 2) 8mm Bolt Plate and Plastic Retainer. NOTE: Bolt Plate not required on models with threaded mounting holes



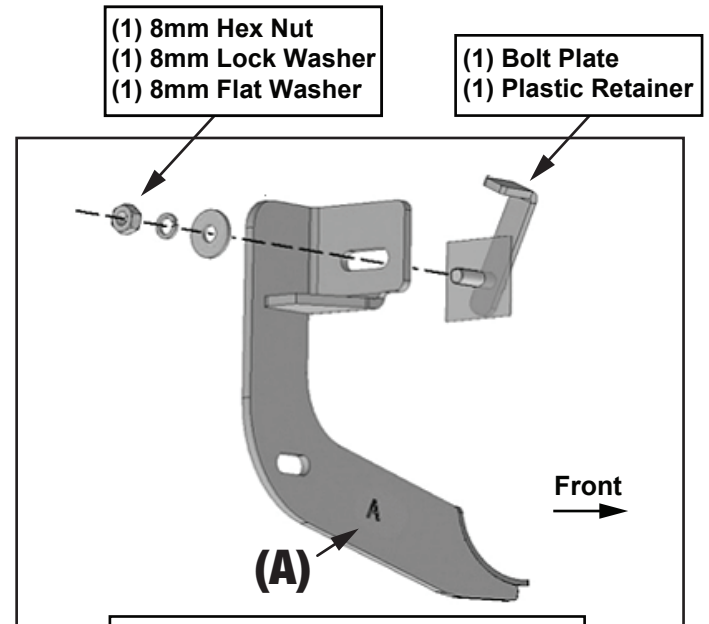
(Fig 3) Insert the Bolt Plate into the oval hole and feed the threaded end out through the rear hex shaped hole. **IMPORTANT: DO NOT** let go of the handle until after Plastic Retainer has been threaded onto bolt (Fig 4)

b. Thread (1) 8mm Plastic Retainer onto the threaded end and down tight against the body panel (Fig 4). **NOTE:** The Plastic Retainer is designed to keep the Bolt Plate from falling into the body panel and to aid in Bracket installation.



(Fig 4) Thread Plastic Retainer onto Bolt Plate to hold Bolt Plate in position.

c. Select (1) Mounting Bracket (A) (Fig 5). Attach the Bracket to the Bolt Plate with (1) 8mm Flat Washer, (1) 8mm Lock Washer and (1) 8mm Hex Nut to the front mounting location. **DO NOT** tighten at this time. **NOTE:** Mounting Bracket (A) is used for driver-side front location and passenger-side center/rear locations.



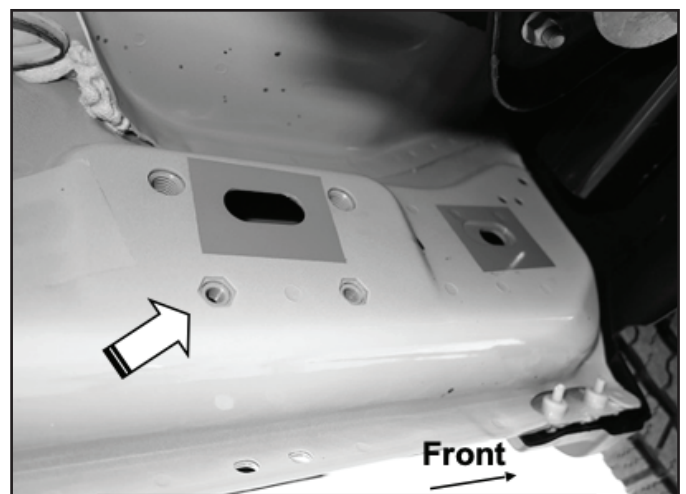
(Fig 5) Attach Mounting Bracket (A) to Bolt Plate for front mounting location.

**Models with factory threaded mounting holes:**

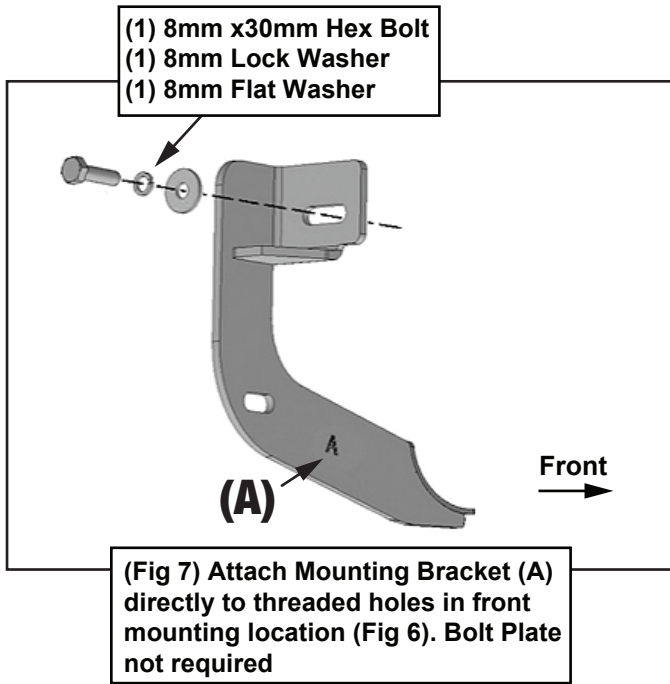
a. Attach (1) Mounting Bracket (A) to the rear threaded mounting hole with (1) 8mm x 30mm Hex Bolt, (1) 8mm Lock Washer and (1) 8mm Flat Washer (Figs 6 & 7). Leave hardware loose. **NOTE:** Mounting Bracket (A) is used for driver-side front location and passenger-side center/rear locations.

**IMPORTANT:** Rust or dirt may build up overtime and clog up the holes preventing the bolts to be installed. In the case, use a 8-1.25mm Tap (not included) to clear and cut new threads to allow the bolts to be mounted.

**Driver/left Side Installation Pictured**



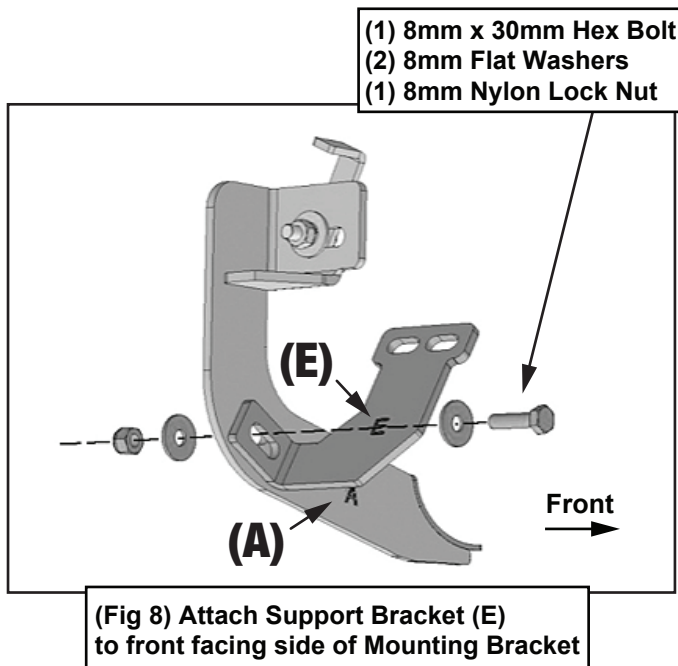
(Fig 6) Example of driver/left front mid 2015-on mounting location with factory installed threaded mounting holes



**STEP 3**

Select (1) Support Bracket (E) (Fig 8). Attach the Support Bracket to the front facing side of the Mounting Bracket (A) with (1) 8mm x 30mm Hex Bolt, (2) 8mm Flat Washers and (1) 8mm Nylon Lock Nut. **NOTE:** Support Bracket (E) is used for driver-side front location and passenger-side center/rear locations.

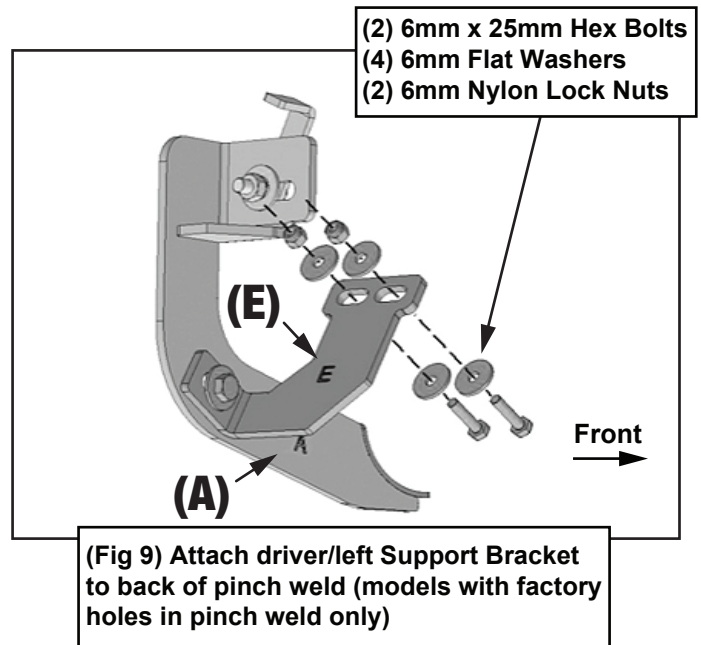
Driver/left Side Installation Pictured



**STEP 4**

Line up the slots in the top of the Support Bracket with the (2) factory holes in the pinch weld. Attach the Support Bracket to the back of the pinch weld with (2) 6mm x 25mm Hex Bolts, (4) 6mm Flat Washers and (2) 6mm Nylon Lock Nuts (Fig 9). **DO NOT** fully tighten hardware at this time. **IMPORTANT: 2009-11** models are not equipped with factory holes and will require drilling through the pinch weld to attach the Support Bracket. **DO NOT** drill through pinch weld at this time, (see **STEP 9**).

Driver/left Side Installation Pictured

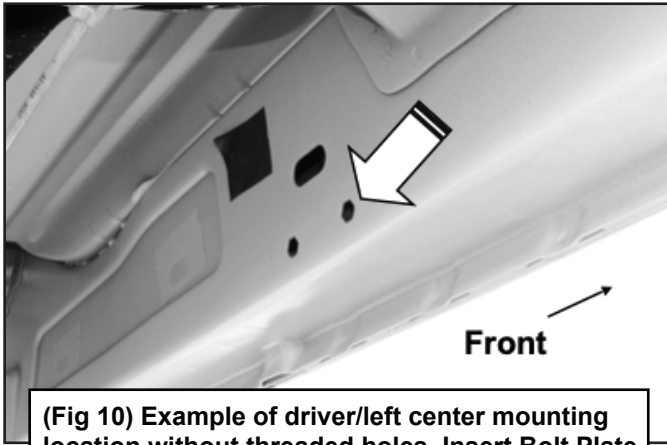


**IMPORTANT: 2009-2011 models** without holes in pinch weld will require drilling 1/4" holes through pinch weld to attach support brackets. Do complete installation of Running Boards first, level Running Boards before drilling holes for Support Brackets.

**STEP 5**

Move along the side of the body panel to the next mounting location in the center of the cab (Fig 10). Select (1) Mounting Bracket (B) (Fig 11). Repeat the appropriate **STEP 2** to install the Bracket (Figs 11 & 12). **NOTE:** Mounting Bracket (B) is used for driver-side center/rear locations and passenger-side front locations, and is attached to the forward hex hole or threaded hole as previously described (Fig 10).

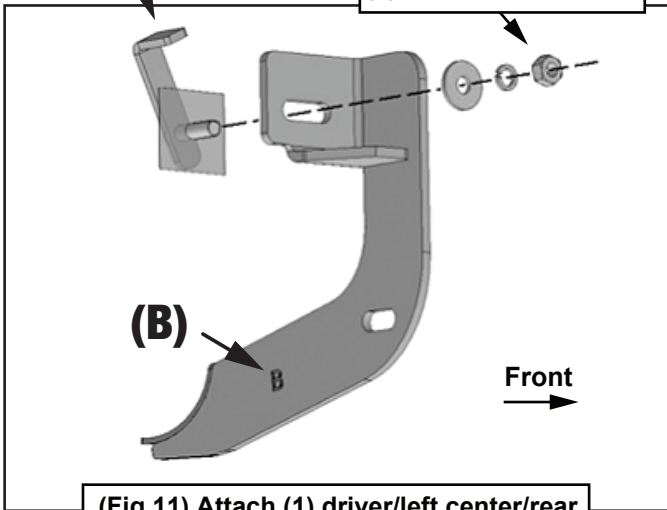
Driver/left Side Installation Pictured



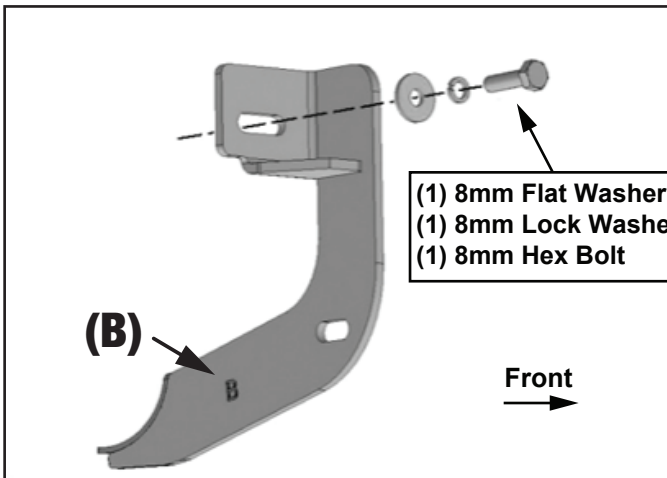
(Fig 10) Example of driver/left center mounting location without threaded holes. Insert Bolt Plate into oval hole and out forward hex hole (arrow). Also see Figs 3 & 4

- (1) Bolt Plate
- (1) Plastic Retainer

- (1) 8mm Flat Washer
- (1) 8mm Lock Washer
- (1) 8mm Hex Nut



(Fig 11) Attach (1) driver/left center/rear Bracket (B) to Bolt Plate



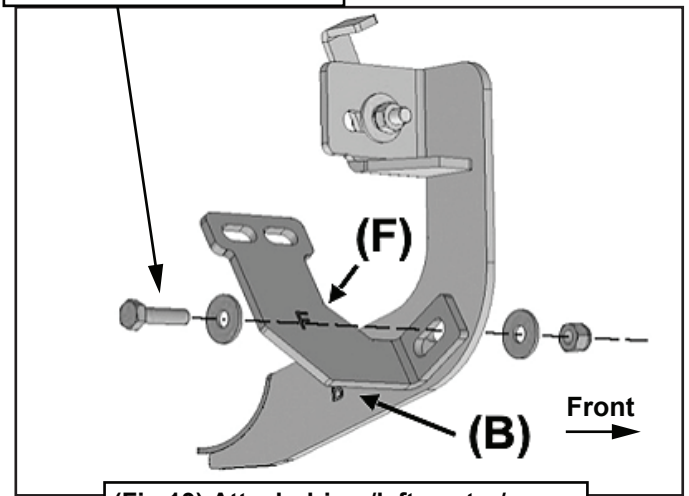
(Fig 12) Attach (1) driver/left center/rear Bracket (B) directly to threaded holes in mounting location (fig 6). Bolt Plate is not required

**STEP 6**

Select (1) Support Bracket (F) (Fig 13). Repeat **STEPS 3 & 4** to attach the Support Bracket to the rear facing side of the Mounting Bracket and holes in pinch weld if equipped (Fig 14).

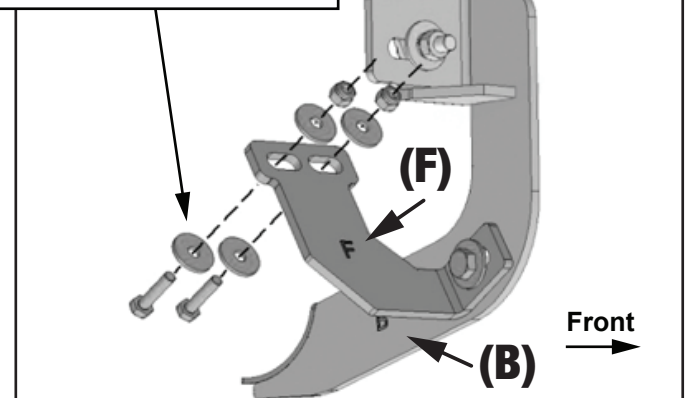
Driver/left Side Installation Pictured

- (1) 8mm Hex Bolt
- (2) 8mm Flat Washers
- (1) 8mm Nylon Lock Nut



(Fig 13) Attach driver/left center/rear Support Bracket (F) to rear facing side of Mounting Bracket (B)

- (2) 6mm Hex Bolts
- (4) 6mm Flat Washers
- (2) 6mm Nylon Lock Nuts

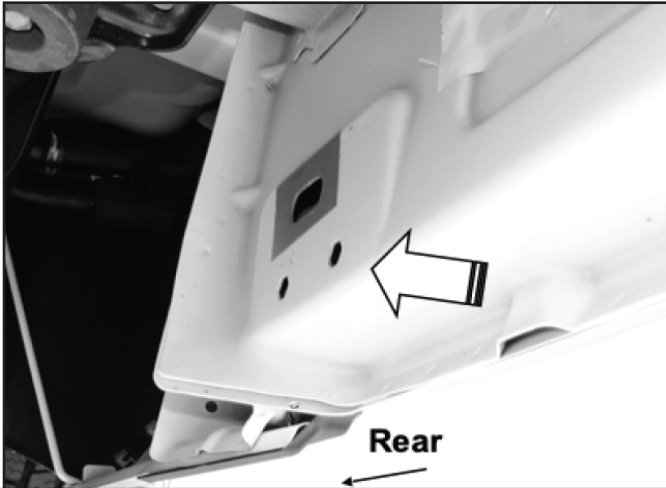


(Fig 14) Attach driver/left center/rear Support Bracket to back of pinch weld (models with factory holes in pinch weld only)

**STEP 7**

Move to the next mounting location at the rear of the cab (Fig 15). Repeat **STEPS 5 & 6** to install Mounting Bracket (**B**) and Support Bracket (**F**).

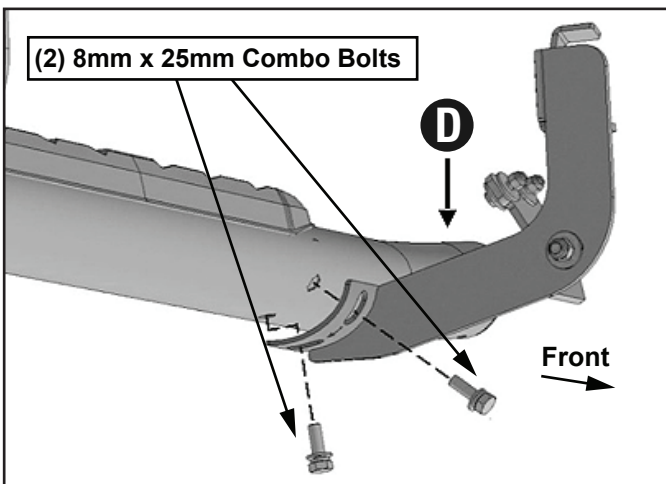
Driver/left Side Installation Pictured



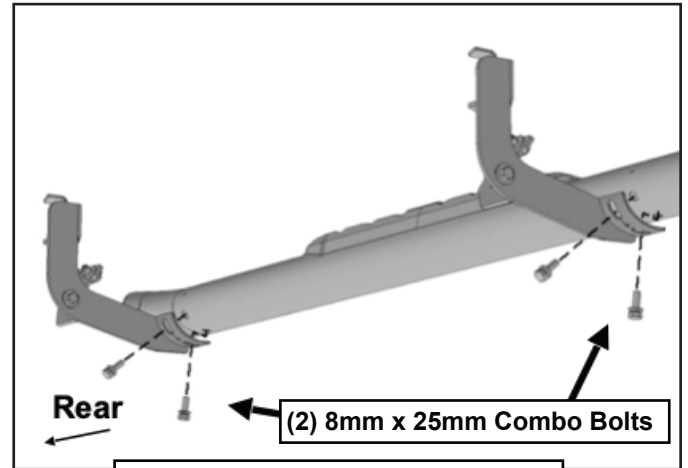
(Fig 15) Example of driver/left rear mounting location without threaded holes. Insert Bolt Plate into oval hole and out forward hex hole (arrow). Also see Figs 3 & 4

**STEP 8**

Select the driver/left Sidebar (**D**). Place the Sidebar on top of the Brackets. **IMPORTANT:** DO NOT slide, (front to back or rotate), the Sidebar on the Brackets or damage to the finish on the Sidebar may result. Attach the Sidebar to the (3) Brackets with (6) 8mm Combination Hex Bolts (Figs 16 & 17). DO NOT fully tighten at this time.



(Fig 16) Attach driver/left Sidebar (**D**) to Front Bracket



(Fig 17) Attach Sidebar to driver/left Center and Rear Brackets

**STEP 9**

Properly level and adjust the Sidebar and fully tighten all hardware.

**2009-12 models requiring drilling to attach Brackets to pinch weld:**

- a. Level the Sidebar to the vehicle. Make sure all (3) Brackets are tight against the bottom of the body panel and tighten all mounting hardware.
- b. Mark the location of the slots in the Support Brackets onto the back of the pinch weld. Do not mark too close to the bottom edge of the pinch weld.
- c. Temporarily remove the Sidebar and the (3) Mounting Brackets. Drill (2) 1/4" holes through the pinch weld for each Support Bracket. **IMPORTANT:** DO NOT drill too close to the bottom edge of the pinch weld. Drill the holes in the center of the marked slots.
- d. Repeat **STEP 4** to attach the Support Brackets to the drilled holes in the pinch weld. Check for level then fully tighten all hardware.

Driver/left Side Installation Pictured



## STEP 10

Repeat **STEPS 1-9** for passenger/right Running Board.

**NOTE:** For passenger side, use Brackets **(B)** and **(F)** for the front location and Brackets **(A)** and **(E)** for the center and rear locations.

## STEP 11

Do periodic inspections to the installation to make sure that all hardware is secure and tight.