



TYGER RIDER®

TG-SS2F35777

Scan to Download the Latest Digital Version



BEFORE INSTALLATION

READ INSTRUCTIONS CAREFULLY BEFORE STARTING INSTALLATION. REMOVE CONTENTS FROM BOX AND VERIFY ALL PARTS ARE PRESENT. FAILURE TO IDENTIFY DAMAGE BEFORE INSTALLATION COULD LEAD TO A REJECTION OF ANY CLAIM. IF MISSING PARTS OR ANY DAMAGE FOUND, PLEASE TAKE A PICTURE FOR THE CLAIM PURPOSE. TO FILE YOUR CLAIM, PLEASE VISIT:

WWW.TYGERAUTO.COM/CONTACT

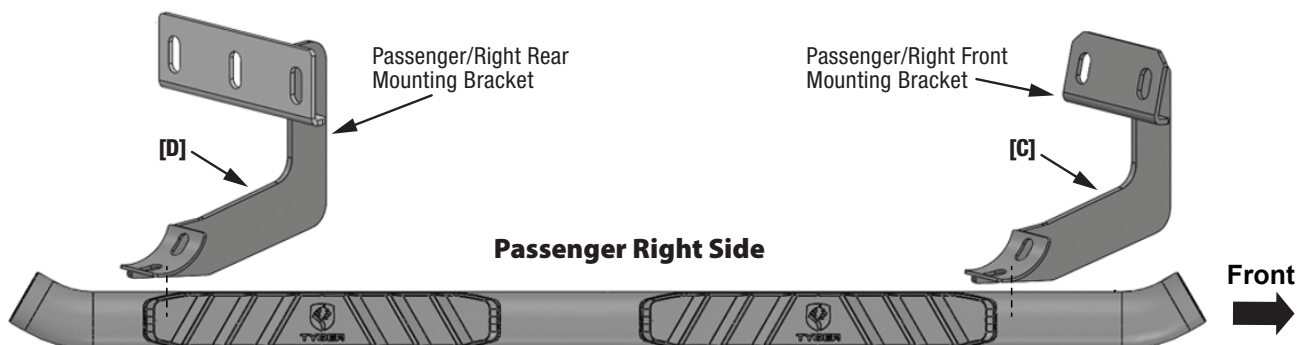
TORQUE VALUES

Fastener Size	Class 8.8 Torque (ft-lbs)	Class 10.9 Torque (ft-lbs)
6mm	6-7	6-7
8mm	15-16	22-23
10mm	31-32	44-45
12mm	54-55	78-79
14mm	87-88	125-126

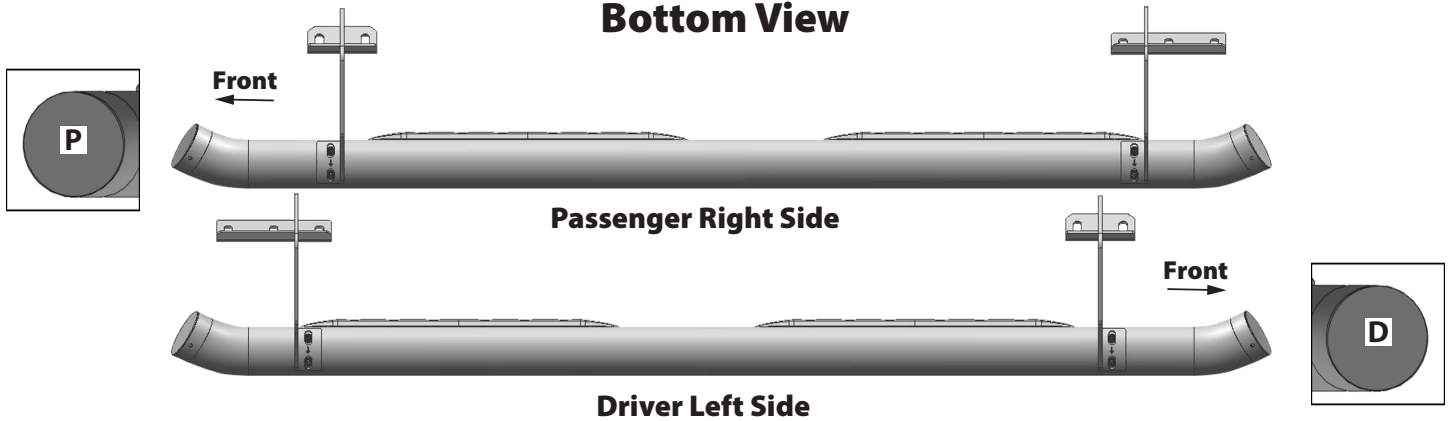
Parts List

- x1 Driver/Left Sidebar **D**
- x1 Passenger/Right Sidebar **P**
- x1 Driver/Left Front Mounting Bracket **[A]**
- x1 Passenger/Right Front Mounting Bracket **[C]**
- x1 Driver/Left Rear Mounting Bracket **[B]**
- x1 Passenger/Right Rear Mounting Bracket **[D]**
- x4 10mm Large Double Bolt Plates
- x1 10mm Small Double Bolt Plate
- x8 10mm x 34mm OD x 3mm Flat Washers
- x8 10mm Lock Washers
- x8 10mm Hex Nuts
- x2 10mm Plastic Retainers
- x8 8mm x 25mm Combo Bolts

Reference the letters printed on the brackets to determine mounting locations



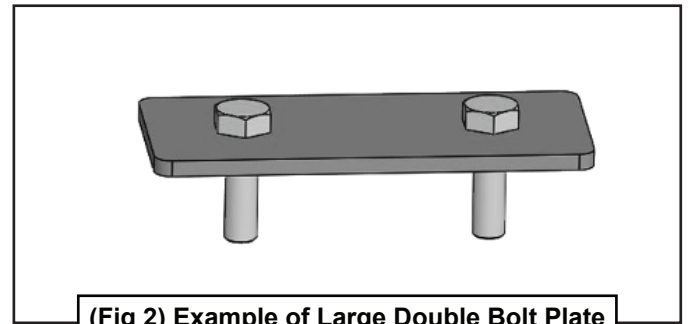
Bottom View



Distinguish the Driver and Passenger Side Steps by the **D** and **P** labeling on the end caps.

STEP 1

REMOVE CONTENTS FROM BOX. VERIFY ALL PARTS ARE PRESENT. READ INSTRUCTIONS CAREFULLY BEFORE STARTING INSTALLATION.

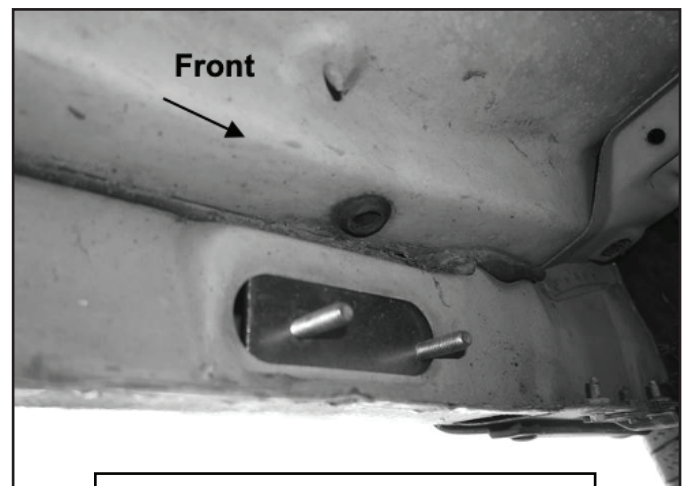


(Fig 2) Example of Large Double Bolt Plate

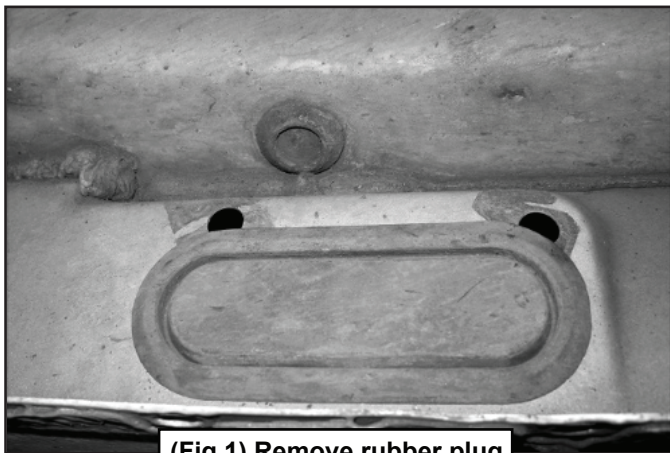
STEP 2

From under the driver/left front of the vehicle, remove the oval rubber plug located on the inside of the rocker panel (Fig 1). Insert (1) 10mm Large Double Bolt Plate into the oval hole (Figs 2 & 3).

Driver/Left Side Installation Pictured



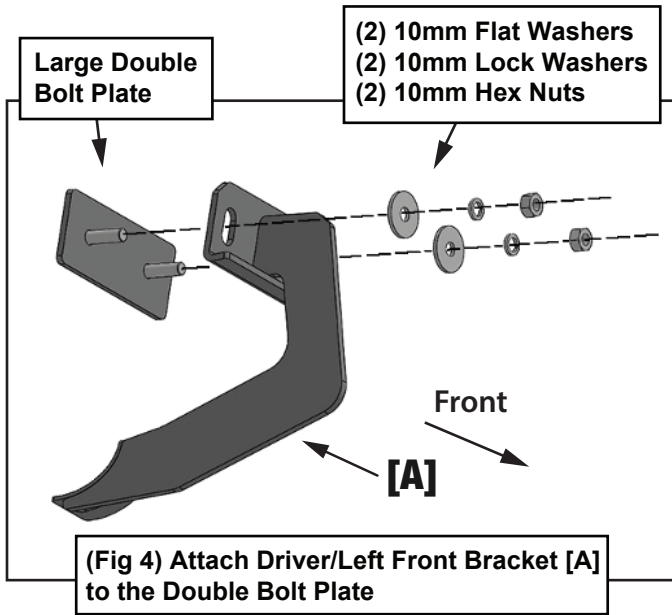
(Fig 3) Insert Bolt Plate into body panel



(Fig 1) Remove rubber plug from front location

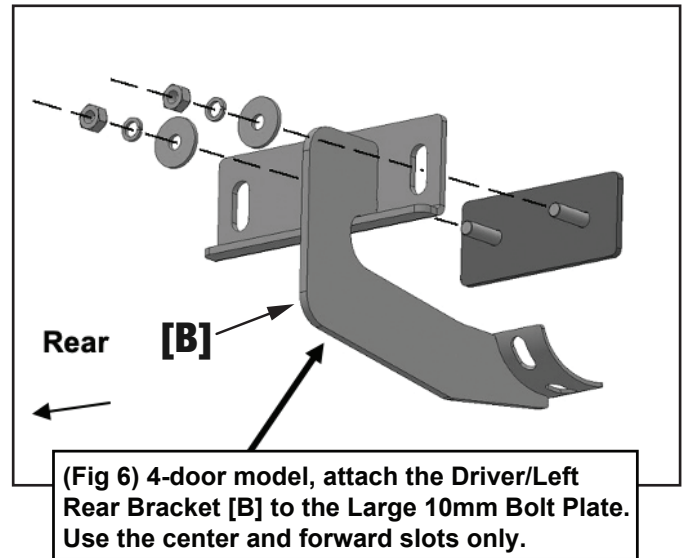
STEP 3

Select the Driver/Left Front Mounting Bracket **[A]** (Fig 4). Attach the Mounting Bracket **[A]** to the Bolt Plate with (2) 10mm Flat Washers, (2) 10mm Lock Washers and (2) 10mm Hex Nuts (Fig 4). DO NOT fully tighten hardware.



b. Repeat **STEPS 2 & 3** to attach the Driver/Left Rear Mounting Bracket **[B]** to (1) **Large Double Bolt Plate** (Fig 6).

NOTE: Use the center and forward slot on the Bracket.



STEP 4

Determine if the vehicle is equipped with **4-doors** or **3-doors**.

4-door models:

- a. Remove the rubber plug (Fig 5).

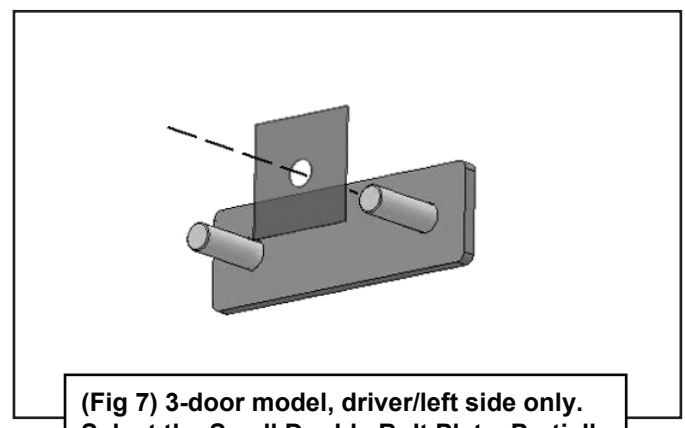
Driver/Left Side Installation Pictured



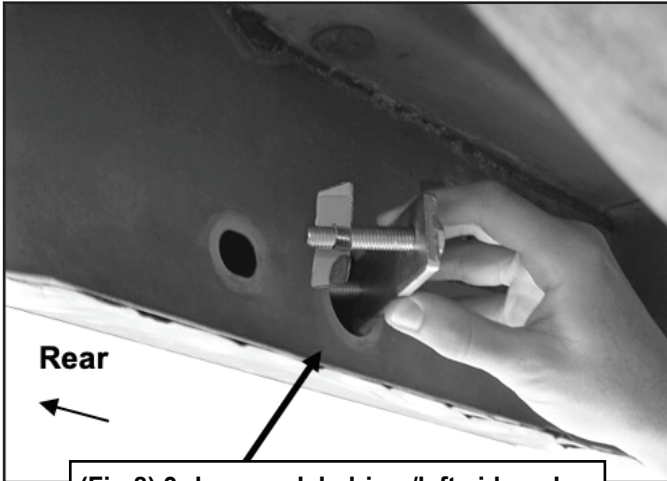
(Fig 5) 4-door Driver/Left Rear Mounting location. Insert large Double Bolt Plate

3-door models (1997-98):

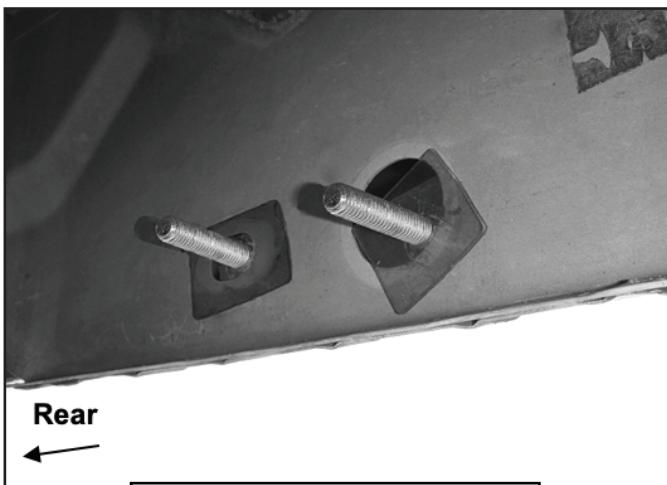
- a. Select the included (1) 10mm **Narrow Double Bolt Plate** and (2) Plastic Retainers (Fig 7).



- b. Thread (1) 10mm Plastic Retainer partially onto (1) threaded end on the Bolt Plate (Fig 7). Insert the other end of the Bolt Plate, (without plastic retainer), into the large round hole and back out the smaller round hole on the side of the rocker panel (Fig 8). Continue to thread the Plastic Retainer down the Bolt Plate until it is flush with the sheet metal (Fig 9).



(Fig 8) 3-door model, driver/left side only. Insert the Small Double Bolt Plate into the large hole and back out the smaller hole. Tighten the Plastic Retainer down to the body panel to hold the Bolt Plate in place



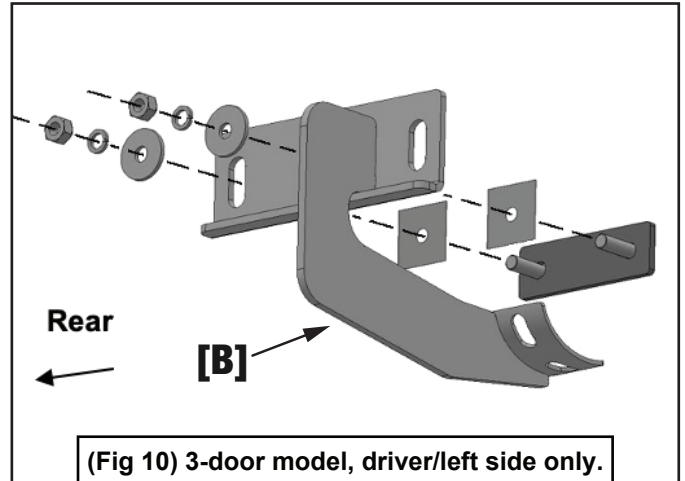
(Fig 9) Tighten Plastic Retainers

c. Thread (1) Plastic Retainer onto the remaining threaded end on the Bolt Plate (Fig 9).

IMPORTANT: The Plastic Retainer is designed to prevent the Bolt Plate from falling into the body panel and to aid in installing the Bracket.

d. Repeat **STEP 3** to attach the Driver/Left Rear Bracket **[B]** to the Narrow Double Bolt Plate.

NOTE: Use the center and rear slot only (Figs 10 & 13).

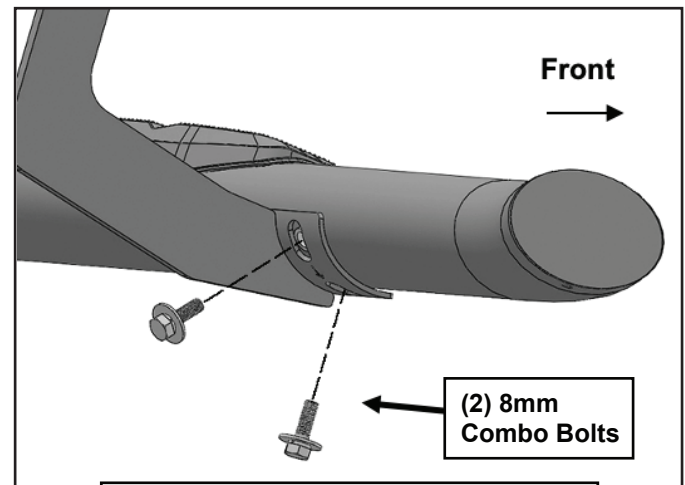


(Fig 10) 3-door model, driver/left side only. Attach the Driver/Left Rear Bracket [B] to the Small 10mm Bolt Plate. Use the center and rear slots only.

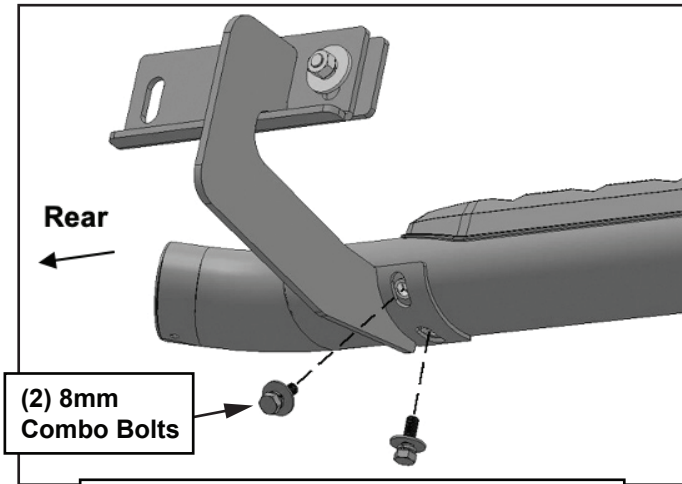
STEP 5

Select the Driver/Left Sidebar. Place the Sidebar onto the cradles on the Mounting Brackets.

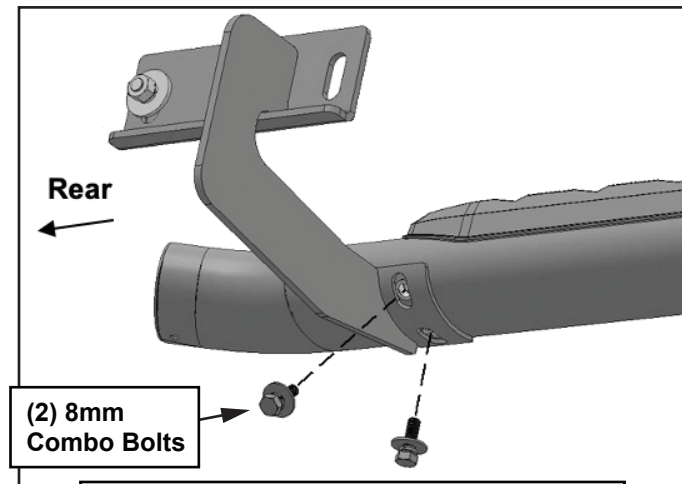
NOTE: DO NOT slide front to back or rotate Sidebar or damage to the finish may result. Attach the Sidebar to the Mounting Brackets with (4) 8mm Combo Bolts (Figs 11-13). DO NOT tighten hardware.



(Fig 11) Attach the Driver/Left Sidebar to the front Mounting Bracket



(Fig 12) 4-door model, driver/left side only. Attach Sidebar to the Rear Bracket



(Fig 13) 3-door model, driver/left side only. Attach Sidebar to the Rear Bracket

STEP 7

Repeat **STEPS 2-6** to attach the Passenger/Right Sidebar.

NOTE: Repeat **STEP 4** 4-door instructions only to attach the Passenger/Right Rear Bracket.

STEP 8

Do periodic inspections of the installation to make sure all hardware is secure and tight.

STEP 6

Level and adjust the Sidebar and tighten all hardware at this time.