



## TYGER RIDER®

TG-SS2T35037

Scan to Download the Latest Digital Version



### Parts List

- x1 Driver/Left Sidebar **(D)**
- x1 Passenger/Right Sidebar **(P)**
- x1 Driver/Left Front Mounting Bracket **(A)**
- x1 Passenger/Right Front Mounting Bracket **(D)**
- x1 Driver/Left Center Mounting Bracket **(B)**
- x1 Passenger/Right Center Mounting Bracket **(E)**
- x1 Driver/Left Rear Mounting Bracket **(C)**
- x1 Passenger/Right rear Mounting Bracket **(F)**
- x12 8-1.25mm x 30mm Hex Bolts
- x12 8-1.25mm x 25mm Combo Bolts
- x12 8mm Lock Washers
- x12 8mm x 24mm OD x 2mm Flat Washers

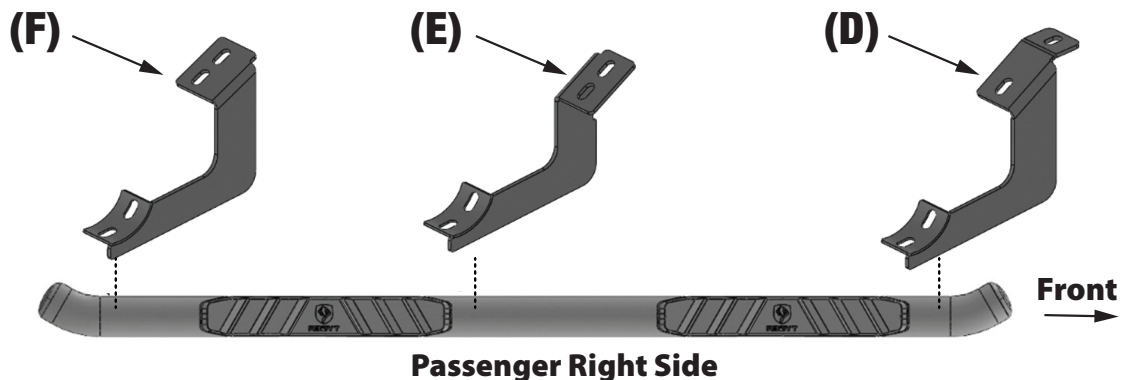
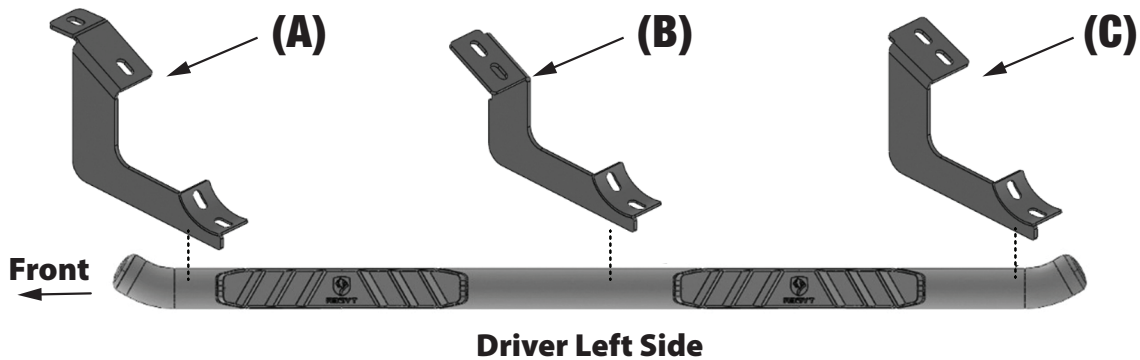
### BEFORE INSTALLATION

READ INSTRUCTIONS CAREFULLY BEFORE STARTING INSTALLATION. REMOVE CONTENTS FROM BOX AND VERIFY ALL PARTS ARE PRESENT. FAILURE TO IDENTIFY DAMAGE BEFORE INSTALLATION COULD LEAD TO A REJECTION OF ANY CLAIM. IF MISSING PARTS OR ANY DAMAGE FOUND, PLEASE TAKE A PICTURE FOR THE CLAIM PURPOSE. TO FILE YOUR CLAIM, PLEASE VISIT: [WWW.TYGERAUTO.COM/CONTACT](http://WWW.TYGERAUTO.COM/CONTACT)

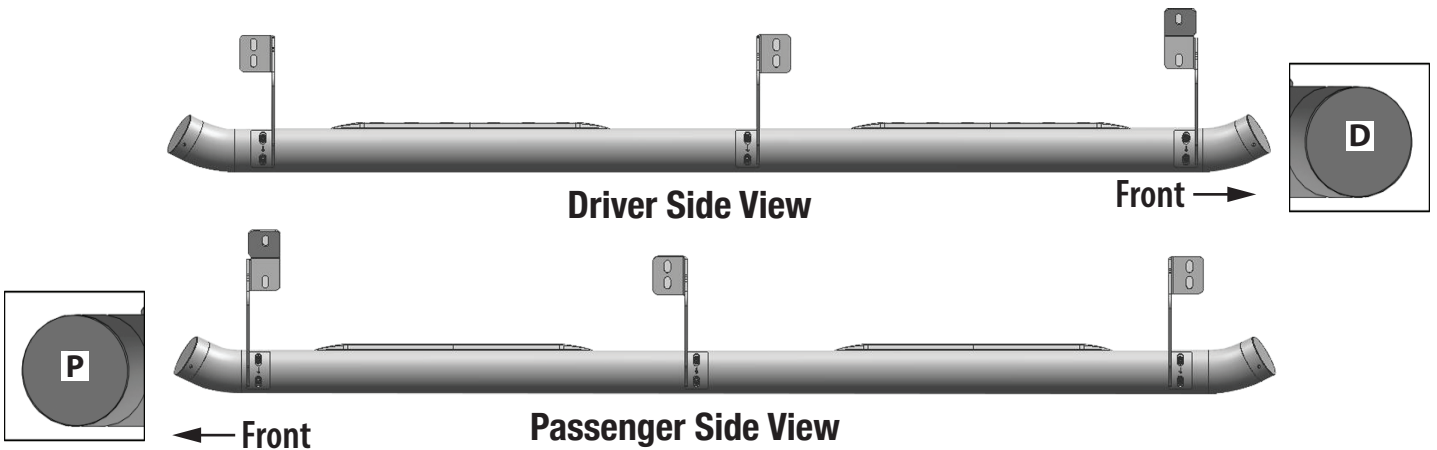
### TORQUE VALUES

Fastener Size	Class 8.8 Torque (ft-lbs)	Class 10.9 Torque (ft-lbs)
6mm	6-7	6-7
8mm	15-16	22-23
10mm	31-32	44-45
12mm	54-55	78-79
14mm	87-88	125-126

Reference the letters printed on the brackets to determine mounting locations



### Bottom View



Distinguish the Driver and Passenger Side Steps by the **D** and **P** labeling on the end caps.

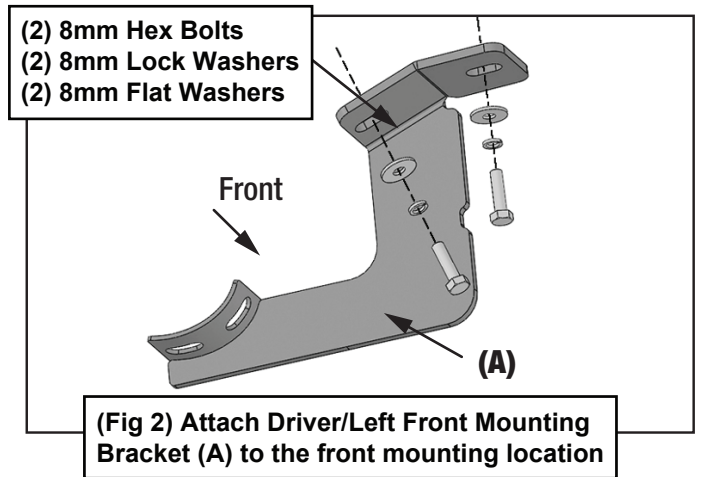
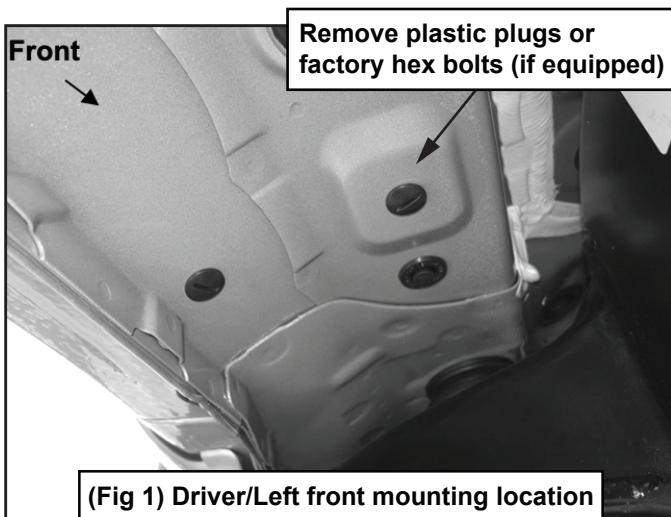
### STEP 1

REMOVE CONTENTS FROM BOX. VERIFY ALL PARTS ARE PRESENT. READ INSTRUCTIONS CAREFULLY. USE ILLUSTRATION TO IDENTIFY BRACKETS AND RUNNING BOARDS.

### STEP 2

Starting on the Driver/Left front of the vehicle, remove the plastic plugs, (or hex bolts), covering the threaded holes in the body panel (Fig 1). Select the Driver/Left Front Mounting Bracket. Attach the Bracket to the vehicle with (2) 8mm Hex Bolts, (2) 8mm Lock Washers and (2) 8mm Flat Washers (Fig 2). DO NOT tighten hardware at this time.

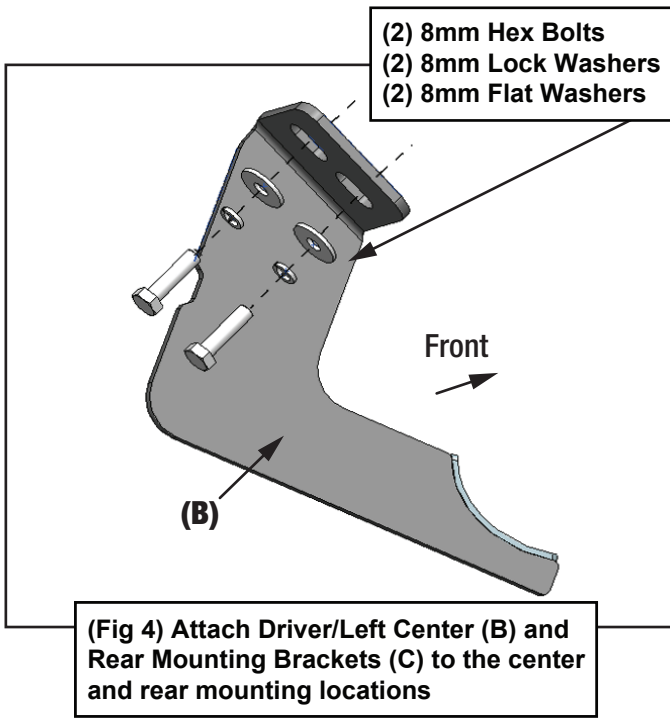
Driver/Left Side Installation Pictured



### STEP 3

Move along the body panel to the center mounting location. Select the Driver/Left Center Mounting Bracket (B). Repeat **STEP 2** to install the center Mounting Bracket (Figs 3 & 4). DO NOT tighten hardware at this time.

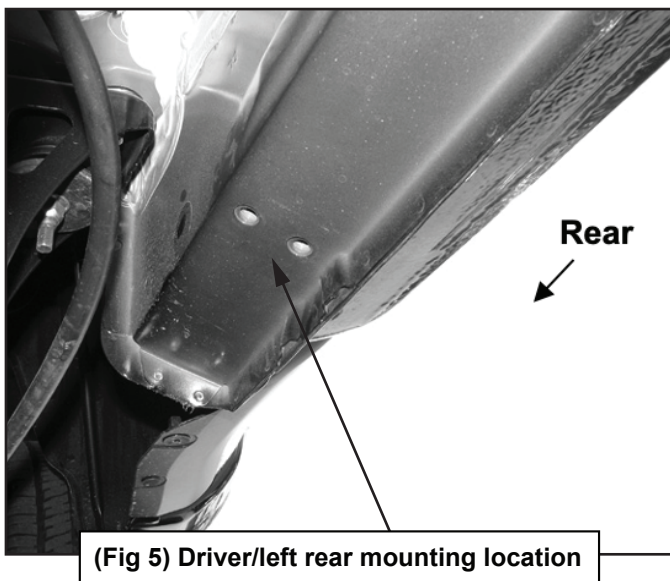




**STEP 4**

Continue to the last mounting location at the back of the cab (Fig 5). Select the Driver/Left Rear Mounting Bracket (C). Repeat **STEP 2** to attach the Bracket to the rear mounting location. DO NOT tighten hardware at this time.

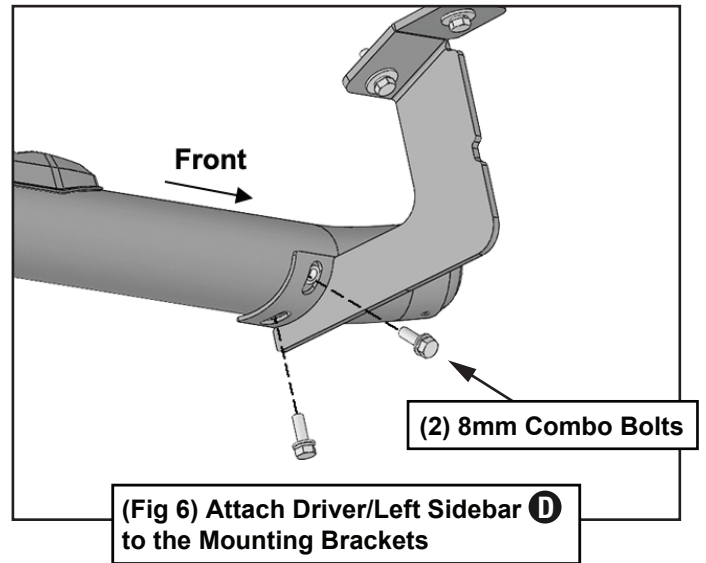
Driver/Left Side Installation Pictured



**STEP 5**

Carefully unwrap the Driver/Left Sidebar **D**. Place the Sidebar onto the Mounting Brackets, (DO NOT slide or rotate or damage to the finish on the Sidebar may result). Attach the Sidebar to the Mounting Brackets with (6) 8mm Combo Bolts (Fig 6). DO NOT tighten hardware at this time.

Driver/Left Side Installation Pictured



**STEP 6**

Level and adjust the Sidebar and tighten all hardware.

**STEP 7**

Repeat **STEPS 2-6** to attach the Passenger/Right Sidebar **P**.

**STEP 8**

Do periodic inspections to the installation to make sure that all hardware is secure and tight.