



TYGER RIDER®

TG-SS2T36007

Scan to Download the Latest Digital Version



BEFORE INSTALLATION

READ INSTRUCTIONS CAREFULLY BEFORE STARTING INSTALLATION. REMOVE CONTENTS FROM BOX AND VERIFY ALL PARTS ARE PRESENT. FAILURE TO IDENTIFY DAMAGE BEFORE INSTALLATION COULD LEAD TO A REJECTION OF ANY CLAIM. IF MISSING PARTS OR ANY DAMAGE FOUND, PLEASE TAKE A PICTURE FOR THE CLAIM PURPOSE. TO FILE YOUR CLAIM, PLEASE VISIT: WWW.TYGERAUTO.COM/CONTACT

TORQUE VALUES

Fastener Size	Class 8.8 Torque (ft-lbs)	Class 10.9 Torque (ft-lbs)
6mm	6-7	6-7
8mm	15-16	22-23
10mm	31-32	44-45
12mm	54-55	78-79
14mm	87-88	125-126

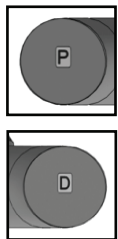
- x1 Driver Side Sidebar **D**
- x1 Passenger Side Sidebar **P**
- x1 Mounting Bracket **[A]**
- x1 Mounting Bracket **[C]**

- x2 Mounting Brackets **[B]**
- x2 Mounting Brackets **[D]**
- x12 8mm Lock Washers
- x12 8mm x 24mm x 2mm Flat Washers

- x12 8-1.25mm x 30mm Hex Bolts
- x12 8mm Combo Bolts

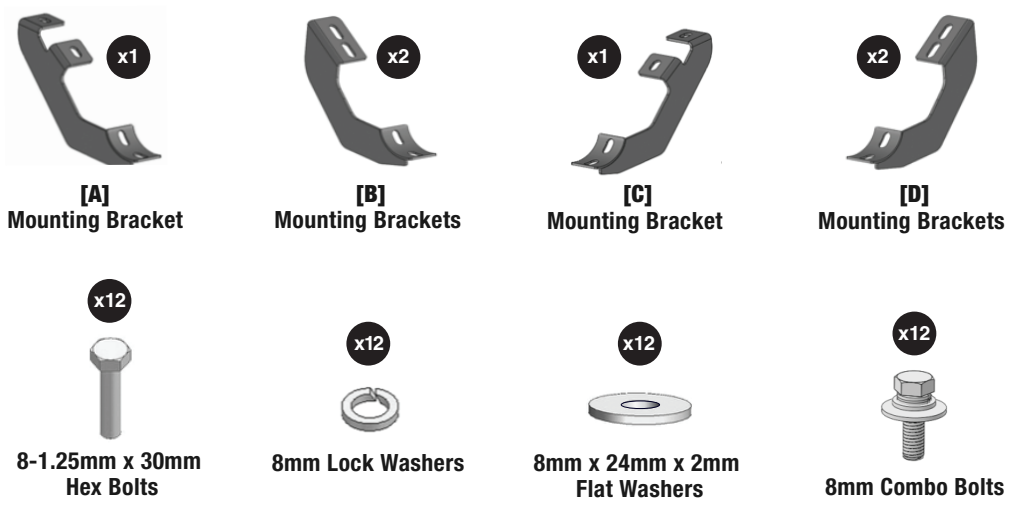
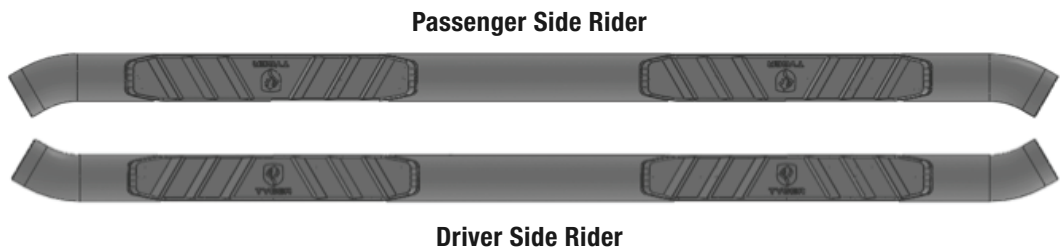
Parts List

Top View

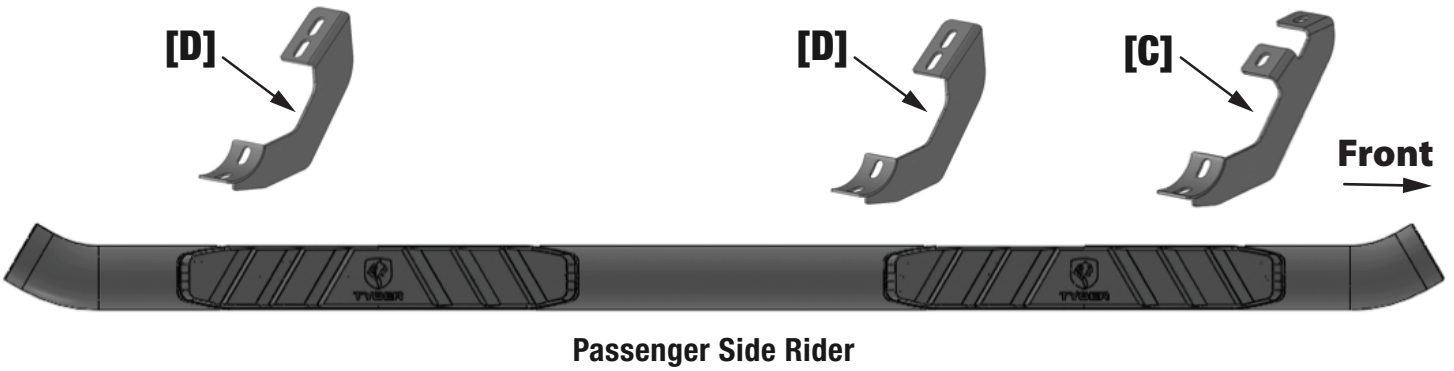
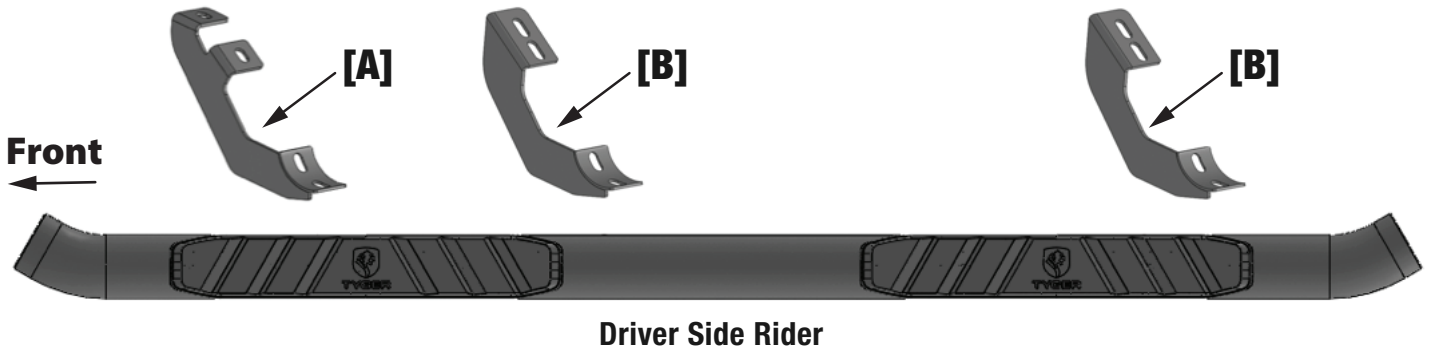


Front

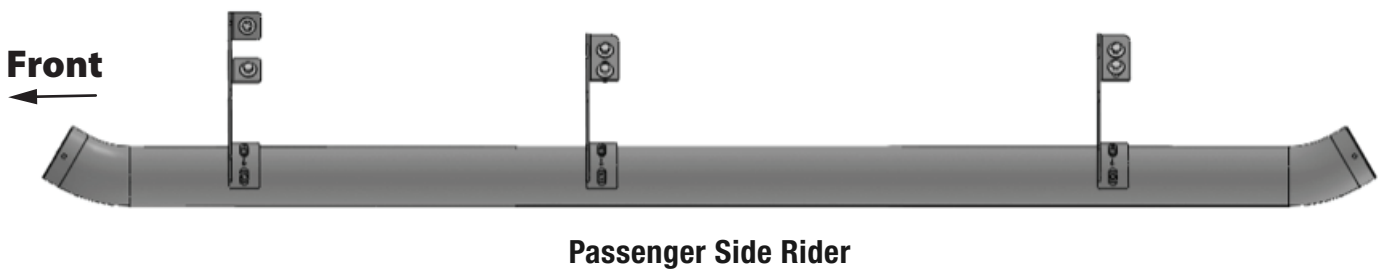
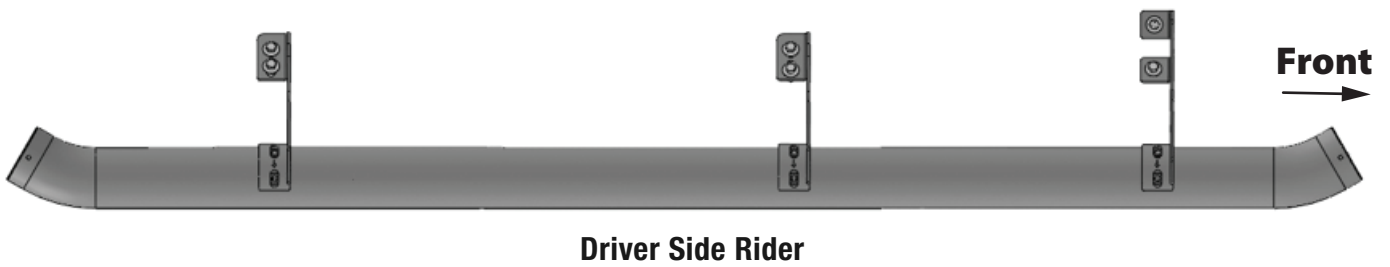
Front



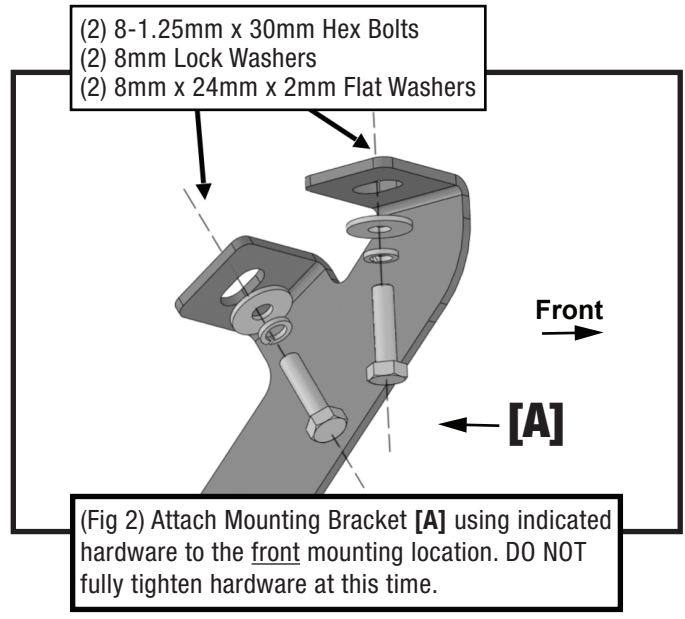
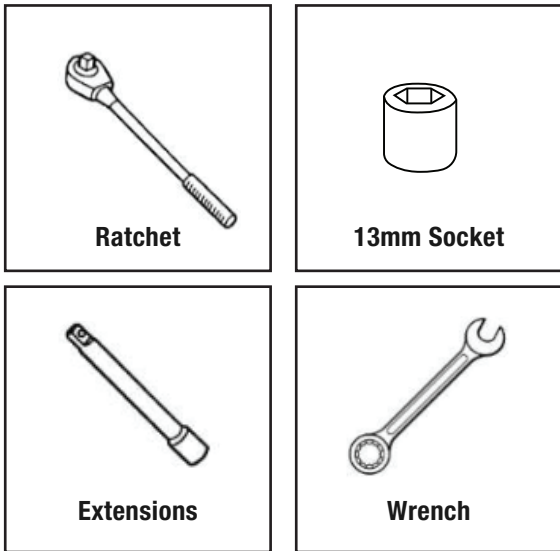
Reference the letters printed on the brackets to determine mounting locations



Bottom View

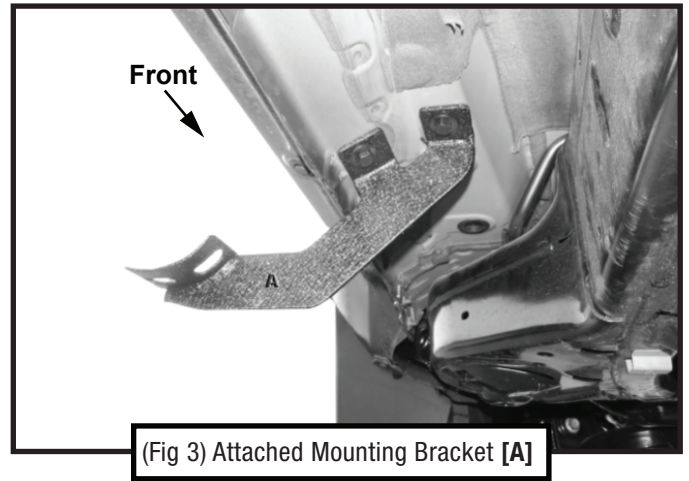
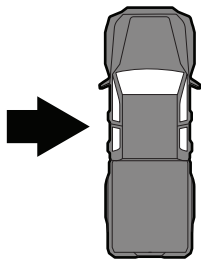


TOOLS REQUIRED

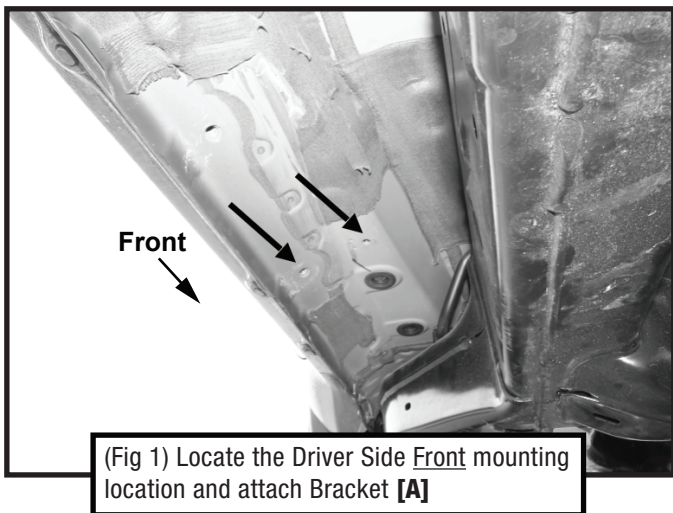


STEP 1 MOUNTING BRACKETS

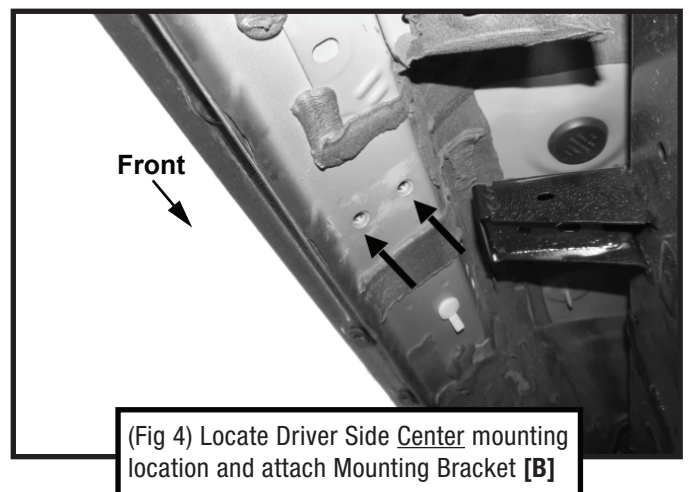
Follow (Fig 1 – 9) to attach the brackets to the Driver Side. **DO NOT fully tighten hardware at this time.**



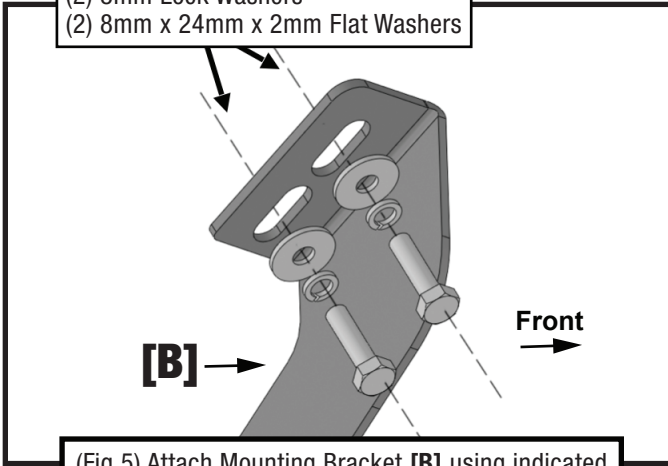
Driver-side Front Mounting Area



Driver-side Center Mounting Area

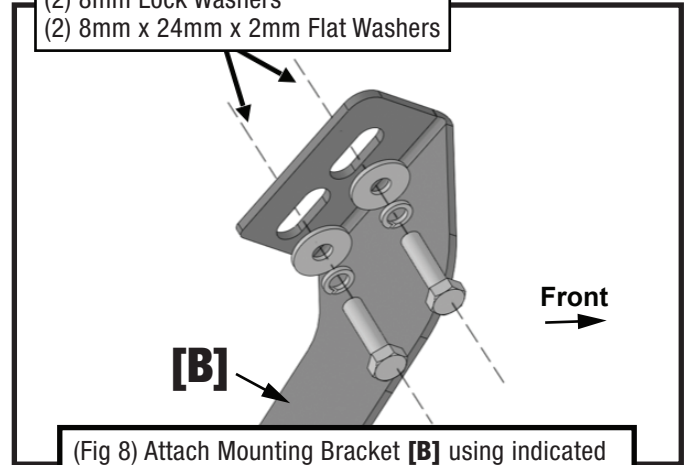


- (2) 8-1.25mm x 30mm Hex Bolts
- (2) 8mm Lock Washers
- (2) 8mm x 24mm x 2mm Flat Washers

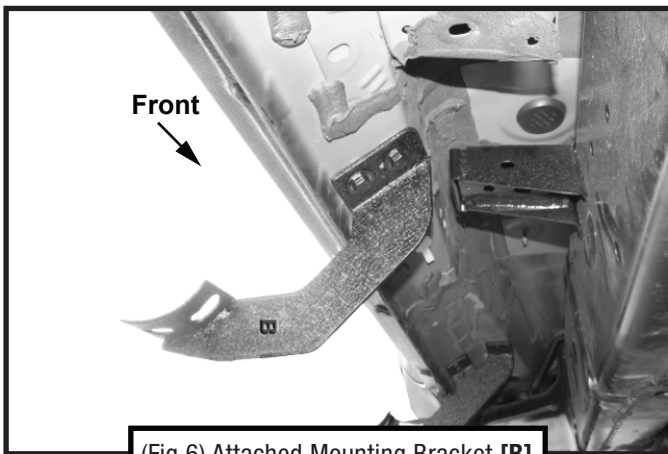


(Fig 5) Attach Mounting Bracket [B] using indicated hardware to the center mounting location. DO NOT fully tighten hardware at this time

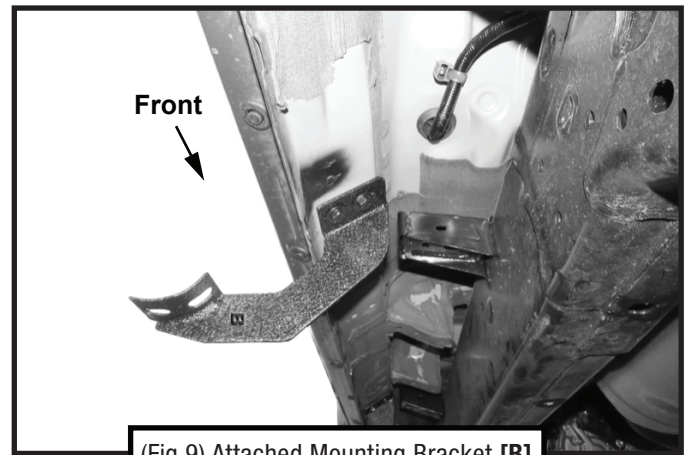
- (2) 8-1.25mm x 30mm Hex Bolts
- (2) 8mm Lock Washers
- (2) 8mm x 24mm x 2mm Flat Washers



(Fig 8) Attach Mounting Bracket [B] using indicated hardware to the rear mounting location. DO NOT fully tighten hardware at this time

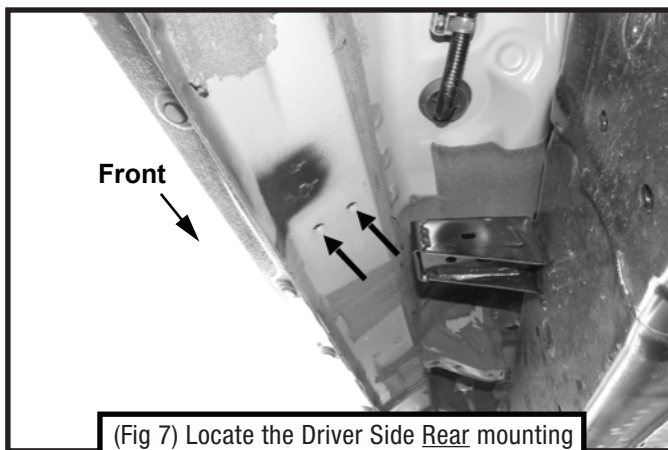


(Fig 6) Attached Mounting Bracket [B]



(Fig 9) Attached Mounting Bracket [B]

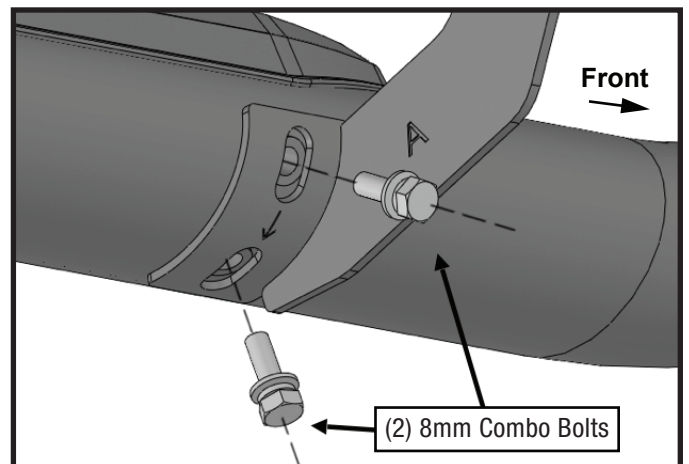
Driver-side Rear Mounting Area



(Fig 7) Locate the Driver Side Rear mounting location and attach Mounting Bracket [B]

STEP 2 MOUNTING RUNNING BOARDS

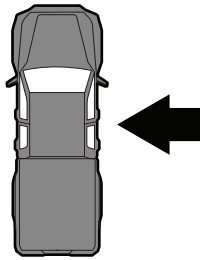
Follow (Fig 10) to install the running board.



(Fig 10) Attach brackets to Sidebar using indicated hardware

STEP 3 PASSENGER SIDE

Repeat **STEPS 1-2** for passenger side installation.
 Use Front Mounting Bracket **[C]** instead of **[A]**;
 Use Center Mounting Bracket **[D]** instead of **[B]**;
 Use Rear Mounting Bracket **[D]** instead of **[B]**.



STEP 4

Installation is complete. **Tighten all hardware at this time to preferred position.**