

**PARTS LIST:**

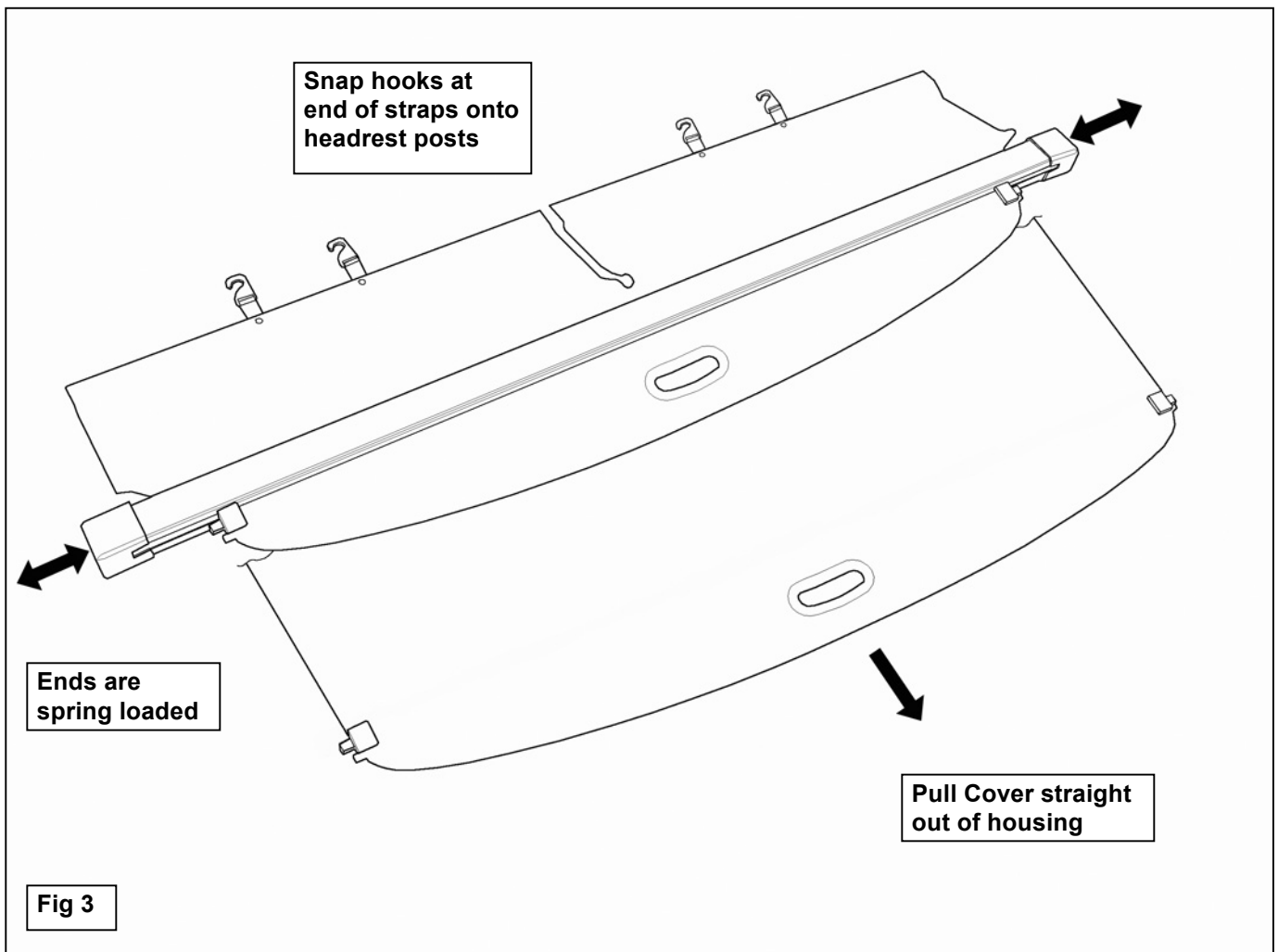
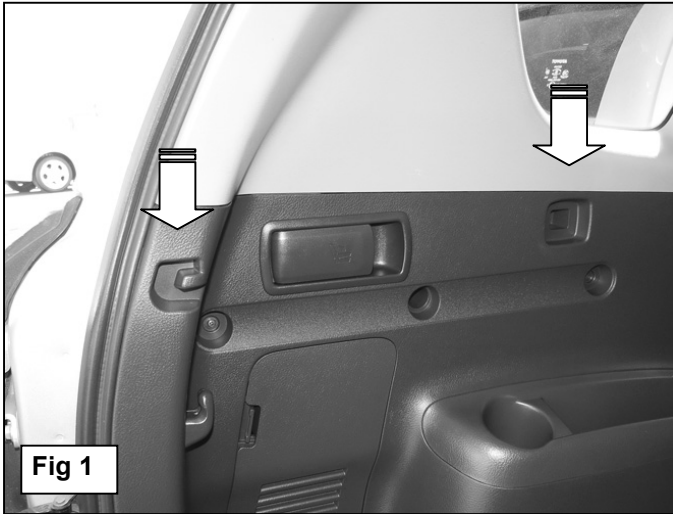
Qty	Description
1	Cargo Cover
1	Instructions

**PROCEDURE:**

- 1. REMOVE CONTENTS FROM BOX. VERIFY ALL PARTS ARE PRESENT. READ INSTRUCTIONS CAREFULLY BEFORE STARTING INSTALLATION.**
- The Cargo Cover is designed to install in the factory location, **(Figure 1)**. Start installation by opening the rear hatch on the vehicle.
- Locate the rectangular pocket in the side of the cargo area behind the back seat, **(Figure 1)**. Carefully unwrap the Cargo Cover. Insert the driver side of the Cargo Cover into the pocket in the driver side of the vehicle. Repeat this Step to insert the passenger side of the Cargo Cover into the pocket in the passenger side.
- Cargo Cover assembly installation is complete.
- Note the gap between the rear seat and the Cover assembly. Lift the headrests up slightly to access the posts. Pull the driver side front cover toward the back of the back seat. Snap the (2) retaining clips on the ends of the front cover onto the headrest posts, **(Figures 2 & 3)**. Repeat for the passenger side front cover. The front covers can be released to provide easy access to the cargo area from the back seat. **IMPORTANT:** Release the front cover clips before folding down the back seat.
- Slowly pull the rear cover straight out of the assembly, **(Figure 3)**. Locate the U-shaped pockets in each side of the vehicle next to the rear door, **(Figure 1)**. Slide the tabs on the end of the cover into the slots in the pockets next to the door. Hook the tabs on the U-Shaped pockets to hold cover in place.
- Cargo Cover installation in complete.
- Do periodic inspections to the installation to make sure that all hardware is secure and tight.

**To protect your investment**, only use mild soap and water to clean the cover. Allow cover to completely dry before retracting into the housing.

**CARGO COVER  
2006-12 TOYOTA RAV4**



**Customer Support 1-866-340-3038**